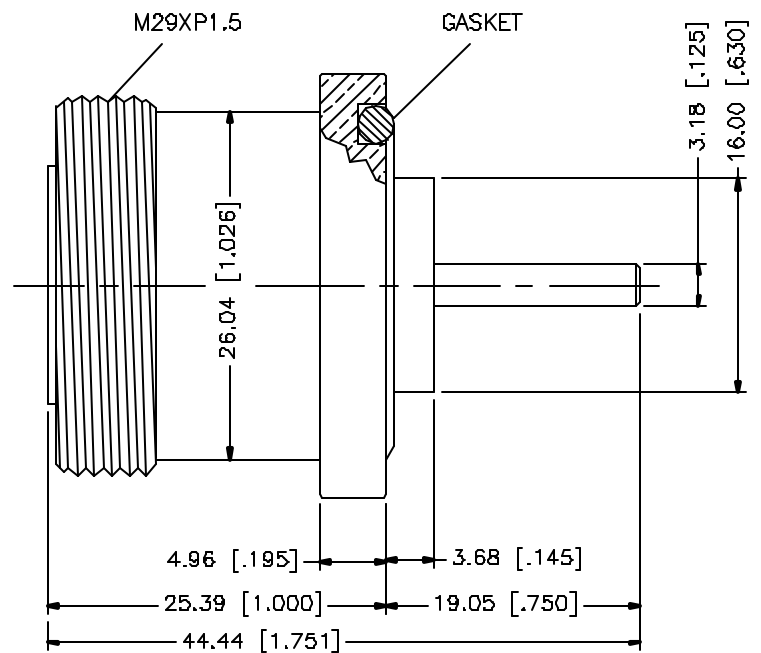
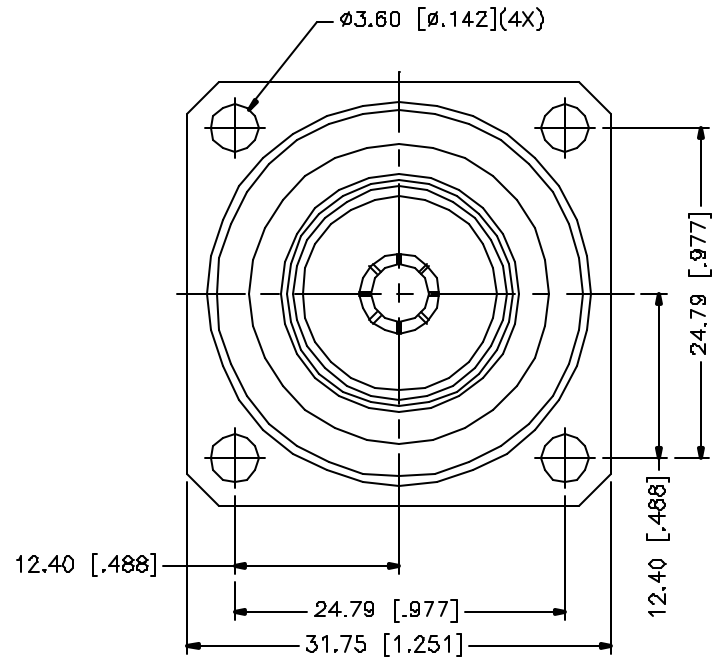


REV.	DATE	DESCRIPTION
NC	06/06/05	INITIAL RELEASE



DESCRIPTION	MATERIAL	FINISH	QTY	
8				
7				
6				
5				
4	GASKET	SILICONE	RED	1
3	CONTACT PIN	BER. COPPER	GOLD	1
2	INSULATOR	TEFLON	NATURAL	1
1	BODY	BRASS	NEXCOTE	1

UNLESS OTHERWISE SPECIFIED DIMENSIONS ARE IN MILLIMETERS. DIMENSIONS IN [] ARE IN INCHES AND FOR CUSTOMER REFERENCE ONLY.

UNLESS OTHERWISE SPECIFIED TOLERANCES FOR MILLIMETERS ARE:
 0.5 - 8mm ± 0.20mm
 8 - 30mm ± 0.40mm
 30 - 120mm ± 0.50mm

UNLESS OTHERWISE SPECIFIED TOLERANCES FOR INCHES ARE:
 .020 - .315 = ± 0.007"
 .315 - 1.180 = ± 0.015"
 1.180 - 4.724 = ± 0.020"

DO NOT SCALE DRAWING

APPROVALS	DATE
DRAWN G.R.S.	06/06/05
CHECKED	
ISSUED	
SHEET 1 OF 1	
CAD FILE C:/272/242190.DWG	

Amphenol Connex

PART DESCRIPTION
**7/16 PANEL RECEPTACLE JACK
 4 HOLE FLANGE - EXT. TEFLON**

PART NO.
272190

DWG. NO. 272190.DWG	REV. NC	SIZE A	SCALE NA
---------------------	---------	--------	----------