

## SUMMARY



Image is for illustrative purpose only

### # Wires

Low voltage 7

Series	1M
Termination type	Male print PCB
IP rating	68 mated (mating interface)
AWG wire size	30.00 - 22.00
Cable Ø	0.00 - 0.00 mm
Status	active
Matching parts	<a href="#">FMS.1M.307.XLM</a>

### Download

- [Request a quote](#)
- [PCB Eagle Pattern](#)
- [PCB Altium Pattern](#)
- [PCB KiCad Pattern](#)
- [Catalog](#)

## TECHNICAL DETAILS

### Mechanics

Shell Style/Model	HE*: Fixed receptacle, nut fixing for printed circuit, watertight
Keying	3 keys (beta=155, gamma=50, plug: female contacts, receptacle: male contacts)
Housing Material	Aluminium (nickel plated [SAE AMS QQ N 290], anthracite color) shell and nut, other pieces bronze/brass
Variant	P : Watertight unmated (connector to device)
Weight	5.32 g

### Performance

Configuration	1M.307 : 7 Low Voltage
Insulator	L: PEEK
Rated Current	7.0 Amps

### Specifications

Contact Type: Print (straight)  
Contact Dia.: 0.7 mm (0.028in)  
R (max): 6.1 mOhm  
Test voltage (kV rms) Contact-contact: 1.45  
Test voltage (kV rms) Contact-shell: 1.2

LEMO products and services are provided "as is". LEMO makes no warranties or representations with regard to LEMO product & services or use of them, express, implied or statutory, including for accuracy, completeness, or security. The user is fully responsible for his products and applications using LEMO components.

## Others

Endurance (Shell): 3000 mating cycles

Temp (min / max): -20°C / +80°C

Humidity (max): 21 days at 95%

Gunfire vibration: 25 Hz - 2000 Hz, 3 axis (Apache helicopter)

Vibration-Sine: 30 g, 3 axes, 12 hr [10 Hz - 2000 Hz]

Vibration-Random: 37.8 g rms - 3 axes, 4 hr amb [50 Hz - 2000 Hz]

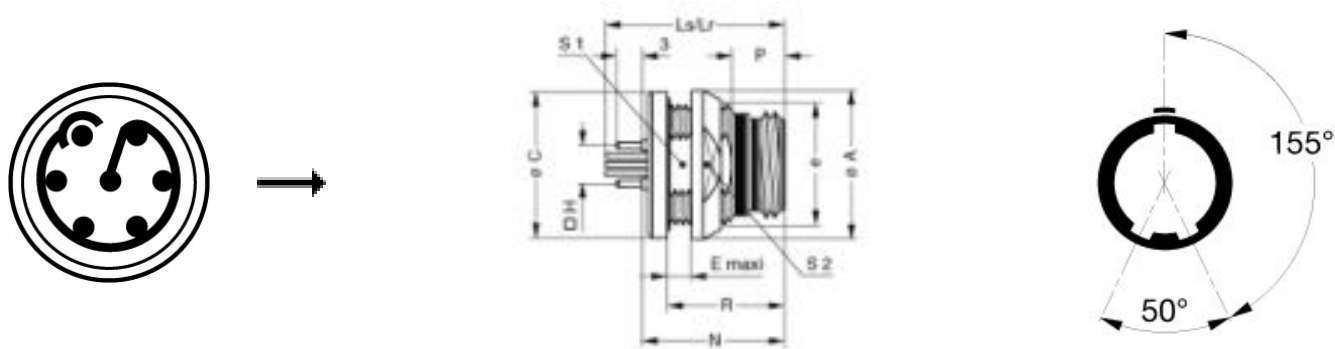
Shock Resistance: 300 g [ 3 ms]

Lighting strike EIA 364-75: 10K amps - 6 times

EMI Shielding EIA 364-66A: >= 80 dB (1 GHz), >=70 dB (3 GHz), >= 58 dB (6 GHz), >= 40 dB (10 GHz)

Salt Spray Corrosion: max. 48 hr

## DRAWINGS



## Dimensions

	A	C	E	H	Lr	Ls	N	P	R	S1	S2	e
mm.	18	17.8	5	7.62	21	20.8	16.8	5.3	13.8	12.5	16	M14x1.00
in.	0,71	0,70	0,20	0,30	0,83	0,82	0,66	0,21	0,54	0,49	0,63	

## RECOMMENDED BY LEMO

### Tools

Spanner wrench: [Socket for torque wrench DCM.65.160.AZ](#)

LEMO products and services are provided "as is". LEMO makes no warranties or representations with regard to LEMO product & services or use of them, express, implied or statutory, including for accuracy, completeness, or security. The user is fully responsible for his products and applications using LEMO components.

*LEMO products and services are provided "as is". LEMO makes no warranties or representations with regard to LEMO product & services or use of them, express, implied or statutory, including for accuracy, completeness, or security. The user is fully responsible for his products and applications using LEMO components.*