

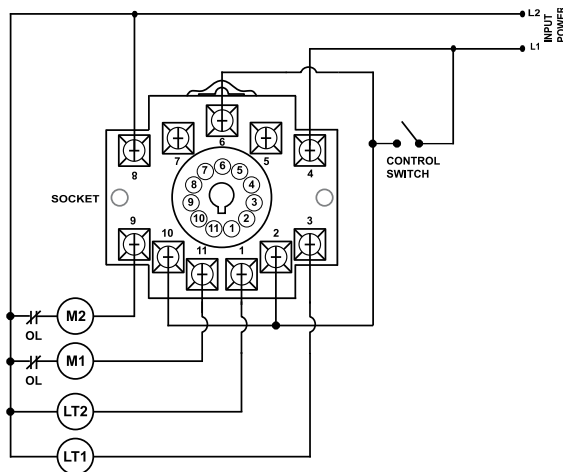
# ALT-XXX-1-SW / ALT-XXX-3-SW SERIES

## Alternating Relay

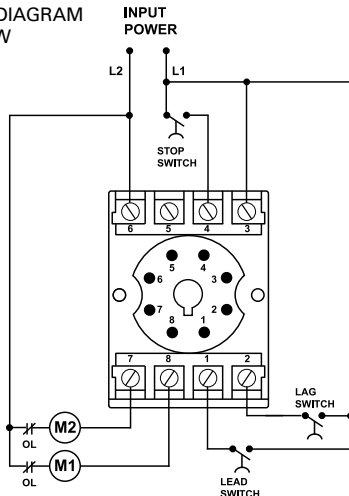


### Wiring Diagram

TYPICAL WIRING DIAGRAM FOR ALT-XXX-1-SW



TYPICAL WIRING DIAGRAM FOR ALT-XXX-3-SW



### Description

The ALT-xxx-1-SW/ALT-xxx-3-SW Series are used to alternate between two loads and are commonly used in duplex pump-up and pump-down applications to balance the runtime of both pumps.

The ALT relays have a built-in debounce time delay that prevents the relay from changing state if the float momentarily bounces, and they have a built-in switch to manually force a specific load (pump) to operate each time the input float closes. This is helpful when performing periodic maintenance or pump repair.

**Must use the OT08PC socket for the 8-pin models, and the OT11PC socket for the 11-pin models, for UL Rating!**

\*Note: Manufacturer's recommended screw terminal torque for the OT Series Octal Sockets is 12 in.-lbs.

### Features & Benefits

FEATURES	BENEFITS
<b>Debounce time delay</b>	Prevents rapid cycling caused by waves or splashing in the tank
<b>LED indicators</b>	Visual indication of load operation in duplex application
<b>Built-in manual switch to force load operation</b>	Helpful to control load operation when performing periodic maintenance or pump repair
<b>ALT-xxx-3-SW offers duplexing</b>	Allows lag pump to energize if lead pump can't handle current demand

### Accessories



**OT08PC 8-pin Octal Socket**

Octal Socket for plug-in units. 8-pin surface & DIN rail mountable. Rated for 10A @ 600VAC.



**OT11PC 11-pin Magnal Socket**

11-pin surface & DIN rail mountable. Rated for 10A @ 300VAC

### Ordering Information

MODEL	LINE VOTAGE	MOUNTING	DESCRIPTION
ALT-100-1-SW	95-120VAC	11-pin magnal	Single float input, two isolated Form C relays (DPDT), 2 LEDs for load indication
ALT-100-3-SW	95-120VAC	8-pin octal	Three float inputs (lead, lag, stop floats), actuating latching relays on lead/lag floats, 2 LEDs for load indication
ALT-200-3-SW	190-240VAC	8-pin octal	Three float inputs (lead, lag, stop floats), actuating latching relays on lead/lag floats, 2 LEDs for load indication

## ALT-XXX-1-SW / ALT-XXX-3-SW SERIES

### Specifications

#### Input Characteristics

##### Supply Voltage

ALT-100-1-SW, ALT-100-3-SW	95-120VAC
ALT-200-3-SW	190-240VAC

Frequency	50/60Hz
-----------	---------

#### Functional Characteristics

##### Debounce Time Delay

ALT-100-1-SW, ALT-100-3-SW,	1 second
ALT-200-3-SW	5 seconds

#### Output Characteristics

##### Output Relay (DPDT)

Pilot Duty	480VA @ 240VAC
General Purpose	10A @ 240VAC

#### General Characteristics

Temperature Range	-40° to 70°C (-40° to 158°F)
Maximum Input Power	5 W

#### Standards Passed

<b>Electrostatic Discharge (ESD)</b>	IEC 61000-4-2, Level 3, 6kV contact, 8kV air
<b>Radio Frequency, Radiated</b>	150MHz, 10V/m
<b>Fast Transient Burst</b>	IEC 61000-4-4, Level 3, 3.5kV input power and controls

#### Safety Marks

##### UL (OT08PC or OT11PC octal socket required)

UL508 (File #E68520)

##### CE

IEC 60947-6-2

#### Dimensions

**H** 44.45 mm (1.75"); **W** 60.33 mm (2.375");  
**D** 104.78 mm (4.125") (with socket)

#### Weight

0.65 lb. (10.4 oz., 294.84 g)

#### Mounting Method

DIN rail or surface mount (plug into OT08PC  
or OT11PC socket)

#### Sockets Available

##### Model OT08PC

UL Rating 600V

##### Model OT11PC

UL Rating 300V

The sockets can be surface mounted or installed on DIN Rail.