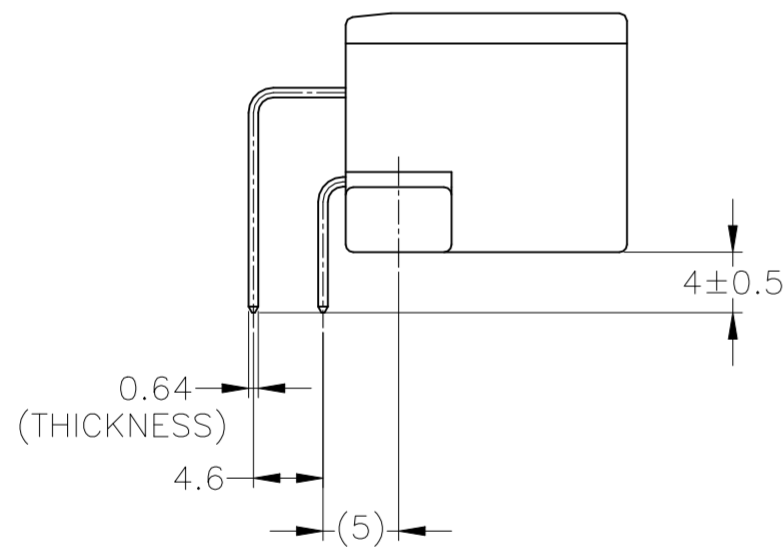
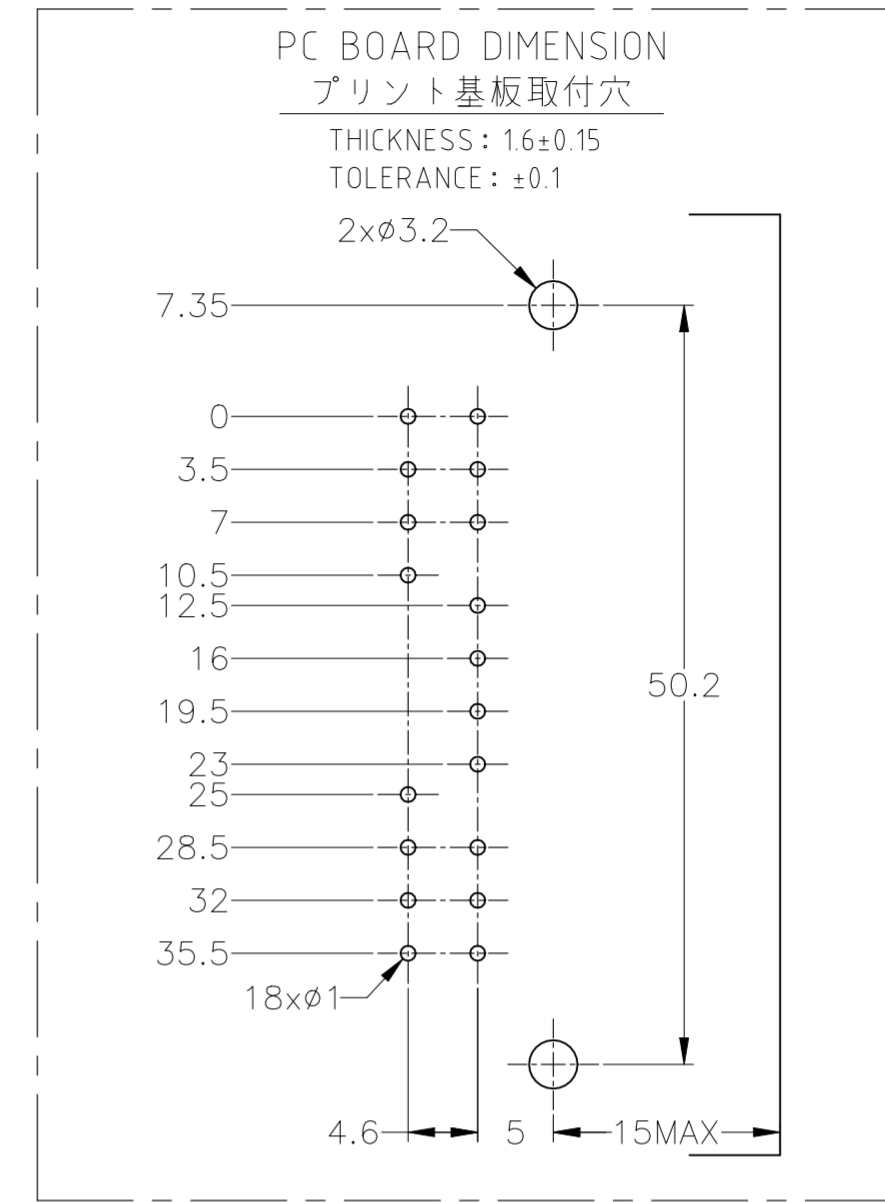
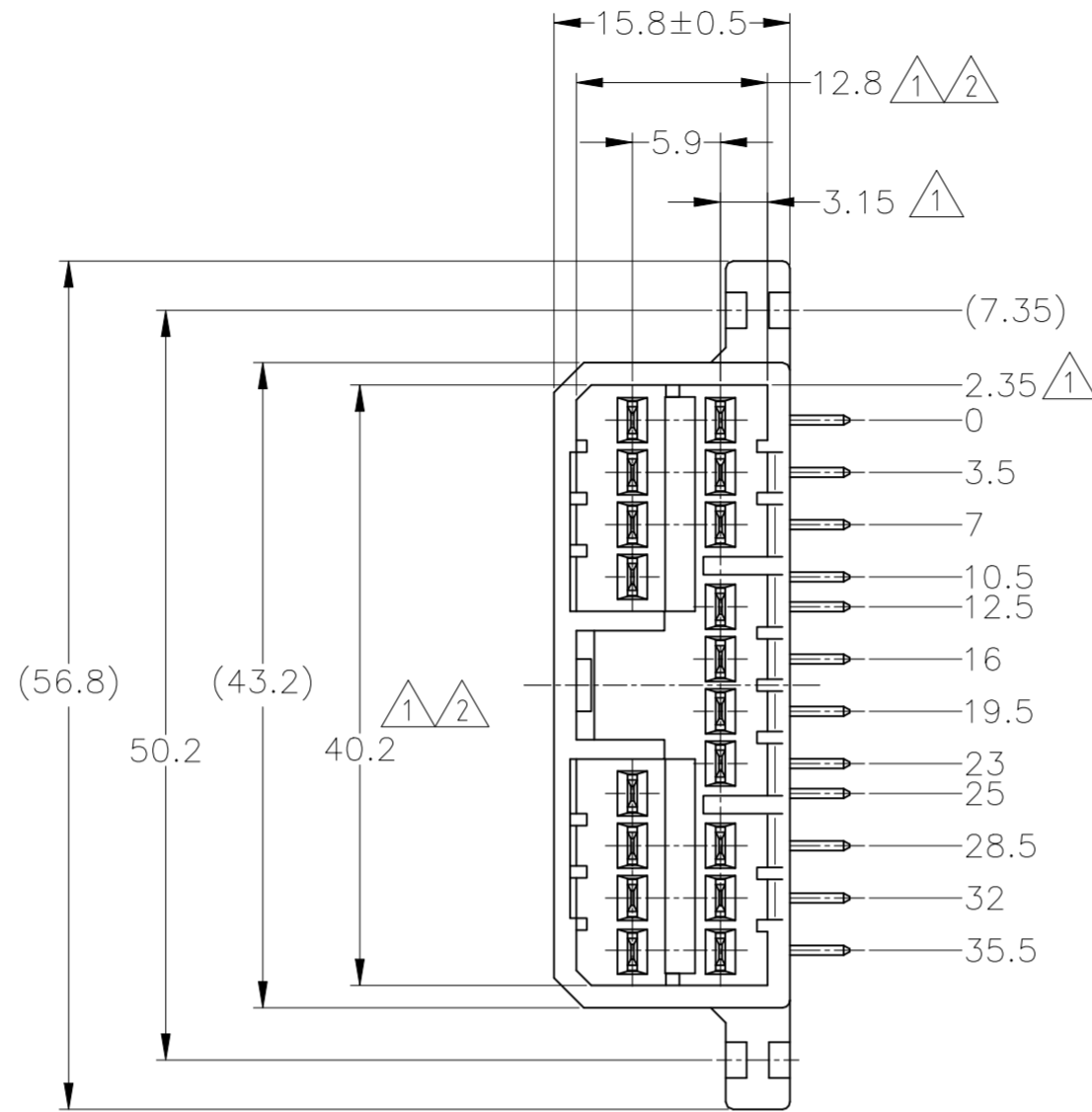
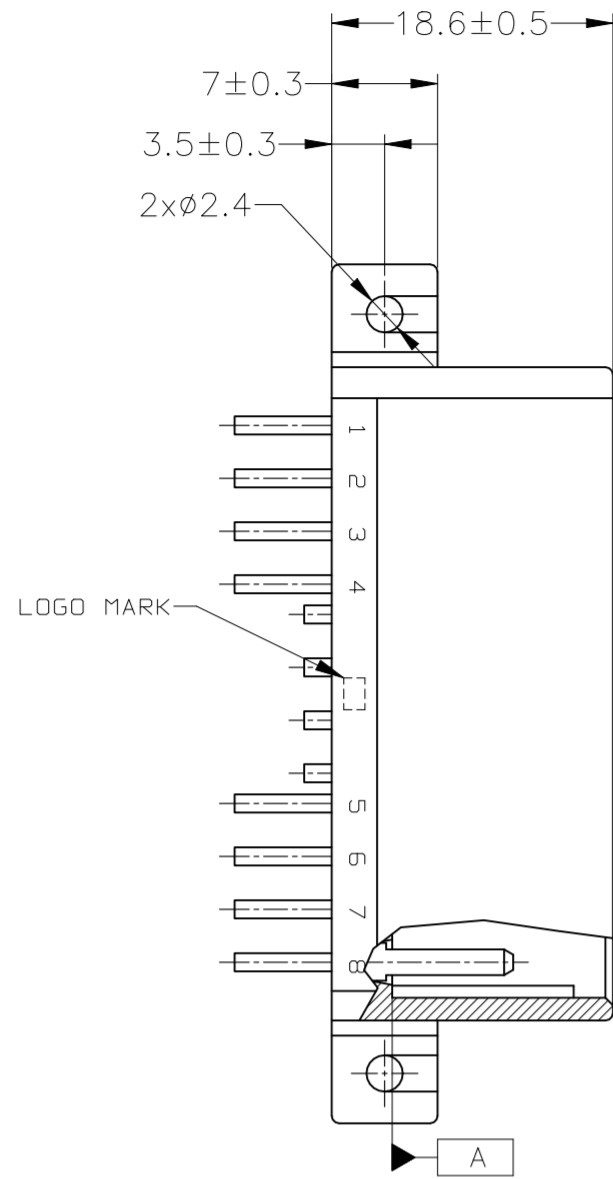


REVISIONS					
P	LTR	DESCRIPTION	DATE	DWN	APVD
V6	REVISED	ECR-23-169161	13MAR2023	TS	TS



- 1. TO BE MEASURED BETWEEN [A] AND 2.
 - 2. TO BE MATE WITH PLUG HSG SMOOTHLY.
 - 3. TO BE USE M3 TAPPING SCREW JIS B1115 OR 1122 (TYPE2 OR 4) BEFORE SOLDER (TIGHTENING TORQUE : 0.4N-m (4Kg-cm) MAX.)
 - 4. CIRCUIT NUMBER; SEE FIG.1.
- 1. [A] 面より2mmの範囲で測定。
 - 2. 相手ハウジングと所定の機能を満足して嵌合できること。
 - 3. プリント基板への取付は、JIS B1115又は1122, M3×6ナベ (2種又は4種)のタッピングネジで締付けた後ハンダ付する。(締付トルク: 0.4N-m (4Kg-cm)以下)
 - 4. 回路番号: FIG.1参照のこと。

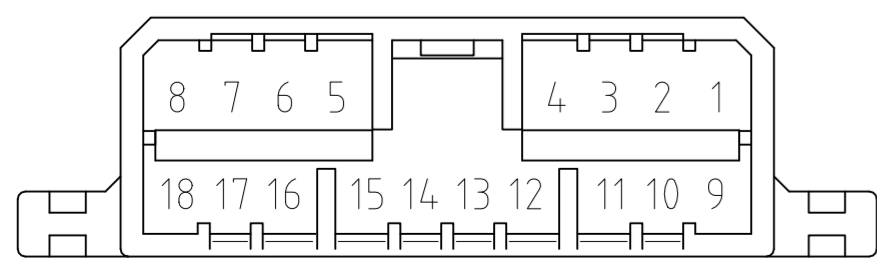


FIG.1 4

PLC	FINISH	CONTACT SIDE	CONTACT FINISH	GOLD PLATED CIRCUIT NO.	PRE-TIN CIRCUIT NO.	COLOR	PART NUMBER
HB	SELECTIVE-TIN (MATTE)	SELECTIVE GOLD x 2	PRE-TIN x 16	5,15 (2極)	1~4,6~14,16~18 (16極)	NATURAL 自然色	4-5173862-1
HB	SELECTIVE-TIN (MATTE)	SELECTIVE GOLD x 2	PRE-TIN x 16	11,12 (2極)	1~10,13~18 (16極)	NATURAL 自然色	6-5173862-1
HB	SELECTIVE-TIN (MATTE)	SELECTIVE GOLD x 4	PRE-TIN x 14	1,3,9,13 (4極)	2,4~8,10~12,14~18 (14極)	GREEN 緑色	5-5173862-4
HB	SELECTIVE-TIN (MATTE)	SELECTIVE GOLD x 18	PRE-TIN x 18	1~18 (全極)	-	NATURAL 自然色	2-5173862-1
OBSOLETE	HB	SELECTIVE-TIN	PRE-TIN x 18	1~18 (全極)	-	GREEN 緑色	8-173862-1
OBSOLETE	V-2	PRE-TIN x 18	PRE-TIN x 18	1~18 (全極)	-	NATURAL 自然色	9-173862-1
OBSOLETE	HB	SELECTIVE-TIN	PRE-TIN x 18	1~18 (全極)	-	GRAY 灰色	7-173862-6
SEE CUSTOMER DRAWING 7-173862-1							
OBSOLETE	HB	TIN-LEAD	SELECTIVE GOLD x 2	11,12 (2極)	1~10,13~18 (16極)	NATURAL 自然色	6-173862-1
HB	TIN-LEAD	SELECTIVE GOLD x 4	PRE-TIN x 14	1,3,9,13 (4極)	2,4~8,10~12,14~18 (14極)	GREEN 緑色	5-173862-4
OBSOLETE	HB	TIN-LEAD	SELECTIVE GOLD x 4	1,3,9,13 (4極)	2,4~8,10~12,14~18 (14極)	NATURAL 自然色	5-173862-1
HB	TIN-LEAD	SELECTIVE GOLD x 2	PRE-TIN x 16	5,15 (2極)	1~4,6~14,16~18 (16極)	NATURAL 自然色	4-173862-1
HB	TIN-LEAD	SELECTIVE GOLD x 6	PRE-TIN x 12	10~13,16,17 (6極)	1~9,14,15,18 (12極)	NATURAL 自然色	3-173862-1
OBSOLETE	HB	TIN-LEAD	SELECTIVE GOLD x 18	1~18 (全極)	-	GREEN 緑色	2-173862-4
OBSOLETE	HB	TIN-LEAD	SELECTIVE GOLD x 18	1~18 (全極)	-	NATURAL 自然色	2-173862-1
OBSOLETE	HB	TIN-LEAD	SELECTIVE GOLD x 2	8,18 (2極)	1~7,9~17 (16極)	NATURAL 自然色	1-173862-1
HB	PRE-TIN x 18	PRE-TIN x 18	PRE-TIN x 18	-	1~18 (全極)	GRAY 灰色	173862-6
OBSOLETE	HB	PRE-TIN x 18	PRE-TIN x 18	1~18 (全極)	-	BLUE 青色	173862-5
HB	PRE-TIN x 18	PRE-TIN x 18	PRE-TIN x 18	-	1~18 (全極)	GREEN 緑色	173862-4
OBSOLETE	HB	SELECTIVE-TIN (MATTE)	SELECTIVE-TIN (BRIGHT)	-	1~18 (全極)	NATURAL 自然色	173862-3
OBSOLETE	HB	PRE-TIN x 18	PRE-TIN x 18	1~18 (全極)	-	BLACK 黒色	173862-2
HB	PRE-TIN x 18	PRE-TIN x 18	PRE-TIN x 18	-	1~18 (全極)	NATURAL 自然色	173862-1
USED MATERIAL		SOLDERING SIDE 半田付け面	CONTACT SIDE 接触部側	4 GOLD PLATED CIRCUIT NO. 金めっき回路番号	4 PRE-TIN CIRCUIT NO. 鉛めっき回路番号	COLOR 色	PART NUMBER 製品型番

TOLERANCE UNLESS OTHERWISE SPECIFIED:	
0 <= x <= 10	: ±0.2
10 <= x <= 30	: ±0.25
30 <= x <= 100	: ±0.3
ANGLE	: ±3°

THIS DRAWING IS A CONTROLLED DOCUMENT.

DWN	T.SHINOHARA	15AUG05
CHK	K.BETSUI	15AUG05
APVD	K.BETSUI	15AUG05
PRODUCT SPEC		
108-5216		
APPLICATION SPEC		
MATERIAL	HSG; PBT	FINISH
CONTACT; BRASS		SEE TABLE

TE Connectivity		TE Connectivity	
070 SERIES MULTI-LOCK I/O CONNECTOR			
18POSITION CAP HOUSING ASSEMBLY			
SIZE	CAGE CODE	DRAWING NO	RESTRICTED TO
A2	00779	C=173862	-
WEIGHT	9.6 g	SCALE	2:1
CUSTOMER DRAWING		SHEET	1 of 1
		REV	V6