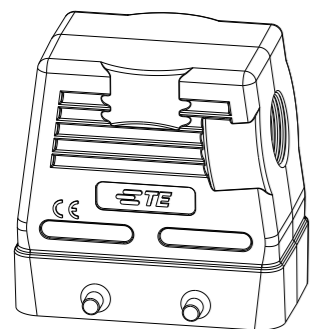
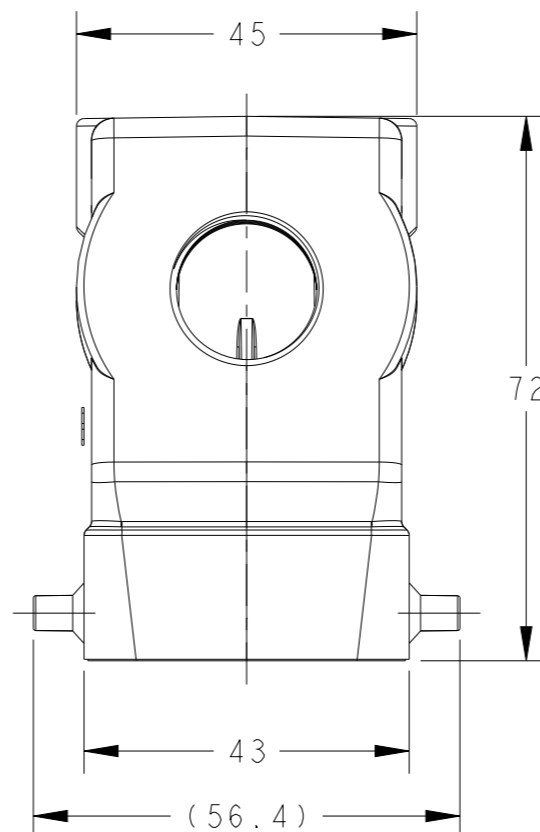
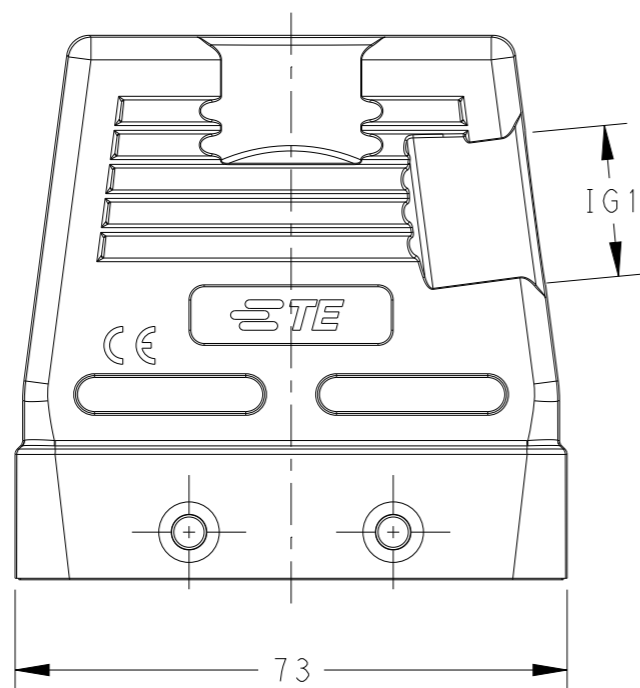


REVISIONS

P	LTR	DESCRIPTION	DATE	DWN	APVD
	A	INITIAL	11JUN2015	DW	CW
	B	ECR-20-008181	28JUN2020	WQR	CW
	B1	ECR-21-103925	28MAY2021	WQR	CW



SCALE 1:2

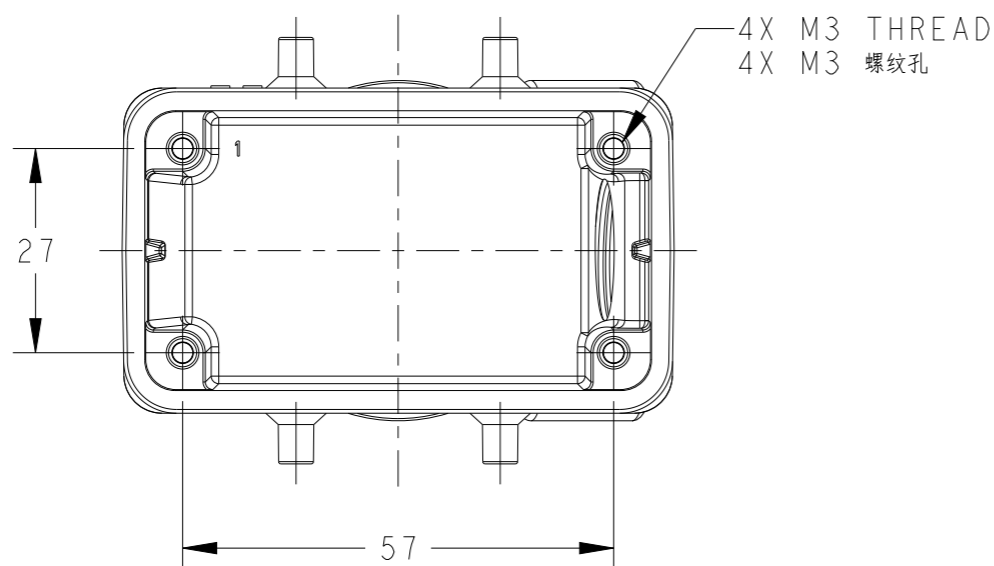


NOTES:


- 1. TECHNICAL CHARACTERISTICS:
HOOD MATERIAL: DIE CAST ALUMINIUM ALLOY
SURFACE: POWDER COATED, GREY
DEGREE OF PROTECTION: IP65 (MATED)

注释:

- 1. 技术参数:
上壳材料: 铝合金
表面处理: 粉末涂层, 灰色
防护等级: IP65(配合)



T1230100116-000	H10B-TSH-PG16	HIGH CONSTRUCTION	PG16
T1230100120-000	H10B-TSH-M20		M20
T1230100121-000	H10B-TSH-PG21		PG21
T1230100125-000	H10B-TSH-M25		M25
T1230100129-000	H10B-TSH-PG29		PG29
T1230100132-000	H10B-TSH-M32		M32
T1230100140-000	H10B-TSH-M40		M40
PART NUMBER	DESCRIPTION	TYPE	IG1

THIS DRAWING IS A CONTROLLED DOCUMENT.		DWN 11JUN2015 David Wang	 TE Connectivity NAME H10B-TSH-M/PG													
DIMENSIONS: mm		CHK 11JUN2015 Chris Wang														
TOLERANCES UNLESS OTHERWISE SPECIFIED:		APVD 11JUN2015 Xiang Xu														
<table border="0"> <tr> <td>0 PLC</td> <td>±-</td> </tr> <tr> <td>1 PLC</td> <td>±-</td> </tr> <tr> <td>2 PLC</td> <td>±-</td> </tr> <tr> <td>3 PLC</td> <td>±-</td> </tr> <tr> <td>4 PLC</td> <td>±-</td> </tr> <tr> <td>ANGLES</td> <td>±-</td> </tr> <tr> <td>FINISH</td> <td>±-</td> </tr> </table>		0 PLC			±-	1 PLC	±-	2 PLC	±-	3 PLC	±-	4 PLC	±-	ANGLES	±-	FINISH
0 PLC	±-															
1 PLC	±-															
2 PLC	±-															
3 PLC	±-															
4 PLC	±-															
ANGLES	±-															
FINISH	±-															
MATERIAL	-	APPLICATION SPEC 114-137013	SIZE	CAGE CODE	DRAWING NO	RESTRICTED TO										
-	-	WEIGHT	A3	00779	©-T12301001XX000	-										
Customer Drawing			SCALE	1:1	SHEET	1 OF 1										
					REV	B1										