

PART NO.	ENGINEERING NO.	FINISHED LENGTH
1300061700	106003A01F030	3.0FT [9.1M]
1300061703	106003A01F060	6.0FT [1.8M]
1300061713	106003A01F200	20FT [6.1M]

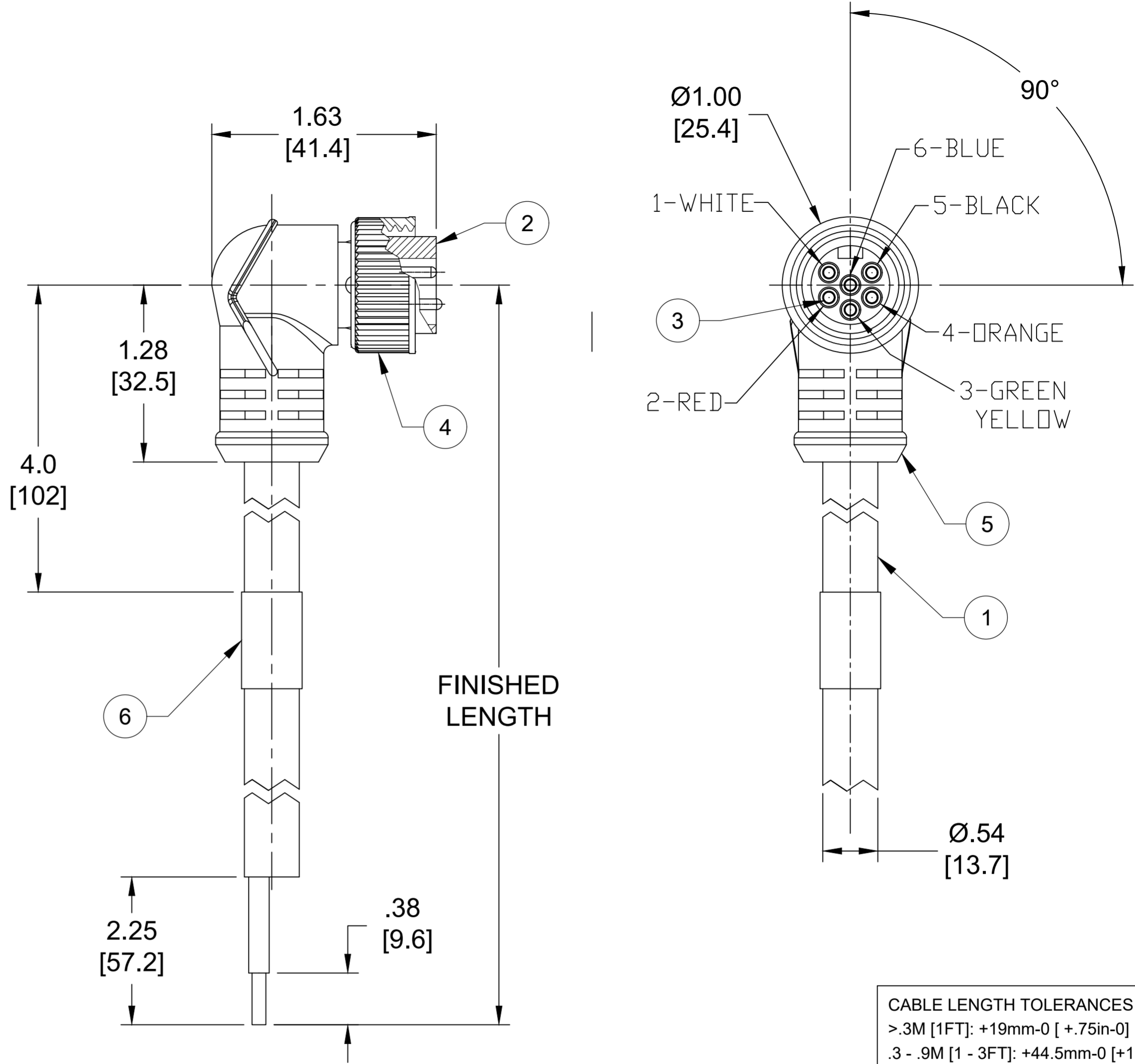
REF. THIS DRAWING SUPERSEDES SD-130006-035 REV-1 (A)

PART NUMBER LEGEND

106003A01F030

POLE COUNT →

FINISHED LENGTH:
 F010= 1.0 FEET
 F100= 10.0 FEET
 M005= 0.5 METER
 M010= 1.0 METER
 M100= 10. METER



- NOTES:**
1. MATERIAL: AS NOTED
 2. FINISH: AS NOTED
 3. ELECTRICAL:
 VOLTAGE: 400V PER IEC60664
 600V PER UL2238
 CURRENT: 8A
 4. TEMP RATING: -20°TO +80°C
 5. PROTECTION: IP67 (WHEN MATED)
 6. COUPLING THREAD: 7/8-16UN
 7. UL RECOGNIZED FILE: E152210
 CSA CERTIFIED FILE: LR6837
 8. ALL DIMS ARE FOR REFERENCE UNLESS TOLERANCED OR NOTED OTHERWISE

CABLE LENGTH TOLERANCES

>.3M [1FT]	+19mm-0 [+ .75in-0]
.3 - .9M [1 - 3FT]	+44.5mm-0 [+1.75in-0]
.9 - 1.8M [3 - 6FT]	+55.6mm-0 [+2.19in-0]
1.8 - 3.7M [6 - 12FT]	+88.9mm-0 [+3.50in-0]
3.7 - 7.3M [12 - 24FT]	+165.1mm-0 [+6.50in-0]
7.3-14.6M [24 - 48FT]	+317.5mm-0 [+12.50in-0]
14.6 - 30.5M [48-100FT]	+622.3mm-0 [+24.50in-0]
OVER 30M [100FT]	+2% OF FINISHED LENGTH

ITEM	DESCRIPTION	MATERIAL	FINISH
6	WRAP LABEL	VINYL	BLACK/YELLOW
5	OVERMOLD	TPE	YELLOW
4	COUPLING NUT, INT. THD	ZINC DIE-CAST	NICKEL PLATED
3	CONTACT PIN	COPPER ALLOY	GOLD PLATED
2	MALE INSERT	TPE	YELLOW
1	CABLE, 16/6, ST00W	PVC JACKET	YELLOW

THIS DRAWING CONTAINS INFORMATION THAT IS PROPRIETARY TO MOLEX ELECTRONIC TECHNOLOGIES, LLC AND SHOULD NOT BE USED WITHOUT WRITTEN PERMISSION

SYMBOLS: $\nabla = 0$, $\nabla = 0$, $\nabla = 0$, $\nabla = 0$, $\nabla = 0$, $\nabla = 0$, $\nabla = 0$, $\nabla = 0$, $\nabla = 0$, $\nabla = 0$

DIMENSION UNITS: INCH/MM SCALE: 1:1

GENERAL TOLERANCES (UNLESS SPECIFIED): mm, INCH

CURRENT REV DESC: REDRAWN, WAS SD-130006-035

EC NO: 624117
 DRWN: RSTONE 2019/09/10
 CHK'D: MZIELINSKI 2019/09/19
 APPR: BWOODMAN 2019/10/03

INITIAL REVISION:
 DRWN: RSTONE 2019/09/10
 APPR: BWOODMAN 2019/10/03

THIRD ANGLE PROJECTION:

DRAWING: C-SIZE SERIES: 130006

molex

MINI CHANGE CABLE ASSY, 6P, MALE, 90 DEG
 16AWG, ST00W, INTERNAL THREAD

PRODUCT CUSTOMER DRAWING

DOCUMENT NUMBER: 1300061700 DOC TYPE: PSD DOC PART: 000 REVISION: A

MATERIAL NUMBER: CUSTOMER: SHEET NUMBER: 1 OF 1