

MATERIALS & SPECIFICATIONS

PART NO.	A 79024-001	REV	ECO	DATE	APP
		D	101608	06-02-15	TLM

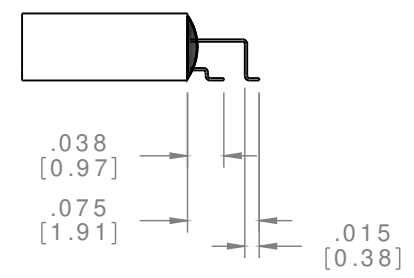
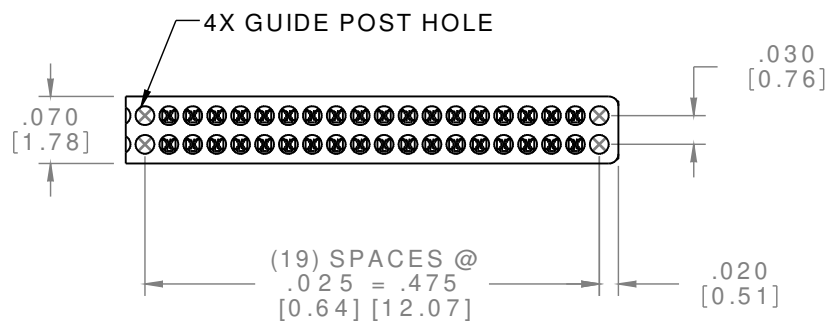
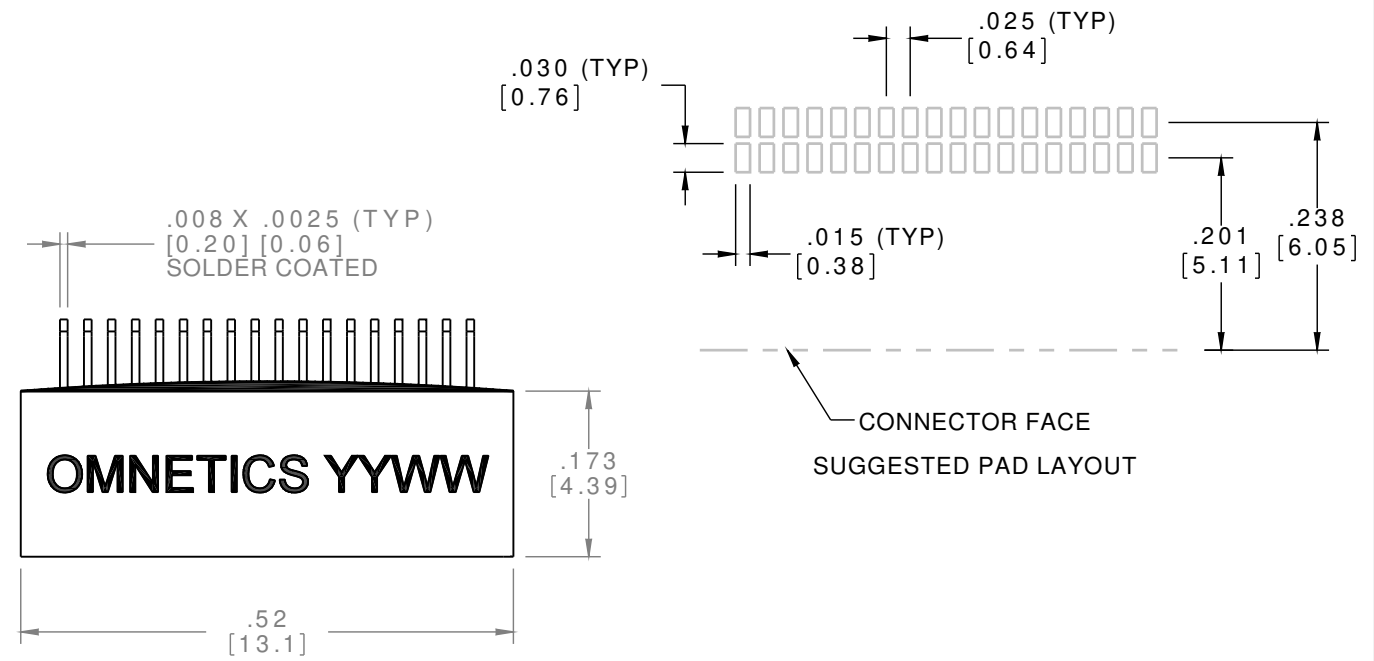
INSULATOR:
 THERMOPLASTIC PER MIL-M-24519, TYPE GLCP-30F OR GST-40F NATURAL

CONTACT:
 BERYLLIUM COPPER PER ASTM B194, C17200. GOLD PLATED PER ASTM B488, (HARD GOLD) TYPE II CODE C CLASS 1.27

TERMINATION:
 SOLDER COATED PER J-STD-006 OR PLATED PER AMS-P-81728

CURRENT CAPACITY:
 1 AMP MAX PER MIL-DTL-32139

CONTACT RESISTANCE:
 71 MILLIOHMS (71mV) MAX @ 1.0 AMPS PER MIL-DTL-32139



ACTUAL SIZE

NOTE:
 DIMENSIONS IN [] ARE IN MILLIMETERS UNLESS OTHERWISE NOTED AND ARE FOR REFERENCE ONLY

NPD SLDW	THIRD ANGLE	THIS DRAWING CONTAINS CONFIDENTIAL AND PROPRIETARY INFORMATION WHICH IS THE PROPERTY OF OMNETICS CONNECTOR CORP. THIS DOCUMENT MAY NOT, IN WHOLE OR IN PART, BE DUPLICATED, OR DISCLOSED FOR ANY PURPOSE, WITHOUT WRITTEN PERMISSION FROM OMNETICS CONNECTOR CORP.		
	-TOLERANCES- UNLESS OTHERWISE NOTED	DFTM. TLM	DATE	TITLE:
	DIMENSIONS IN INCHES	CHK'D.	DATE	(36) PIN MALE NANO
	2 PL DEC ± .01 3 PL DEC ± .005 4 PL DEC ± .0005 ANGLES ± 1°	APP'D.	DATE	DUAL ROW CONNECTOR W/GUIDE POST HOLES

OMNETICS
 CONNECTOR CORPORATION
 7260 COMMERCE CIRCLE EAST
 MINNEAPOLIS, MN 55432
 WWW.OMNETICS.COM

CAGE CODE 61873	REV
DWG NO. A79024-001	D
SHEET 1 OF 1	SCALE: 5:1