

Ratings
Voltage: 150 V
Temperature: -40~70 °C

Conductor
Conductor count: 5
Gauge: 32 AWG 0.04 mm²
Material: Tinned copper strands
Strand size: $\varnothing 0.05 \times 19$
Resistance at 20 °C: 590 Ω /km max

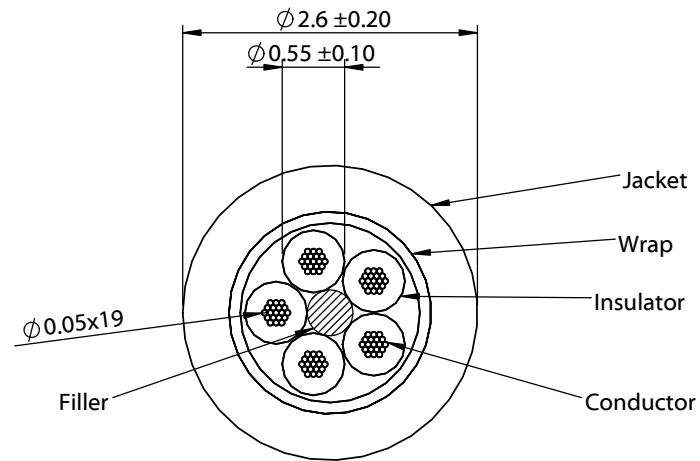
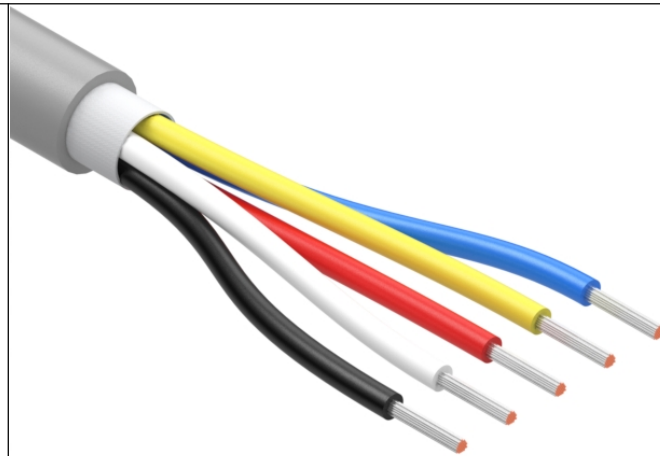
Insulator
Material: HDPE
Color: white, black, red, yellow, white
Diameter: $\varnothing 0.55 \pm 0.10$ mm
Nominal thickness: 0.15 mm
Resistance at 20 °C: 100 M Ω /km min

Wrap
Material: cotton paper

Filler
Material: aramid fiber

Outer jacket
Material: TPU
Color: gray
Diameter: $\varnothing 2.6 \pm 0.20$ mm
Nominal thickness: 0.50 mm

Tests
Tensile strength: 15 kgf min
Dielectric test: 1500 V dc for 1 minute without breakdown
Bend test at 200 g, $\pm 60^\circ$, 30 cycles /min: 15,000 cycle minimum



Revision:	Date:	Description:
A	9/9/2022	Initial release

Prepared: **MP**
Digitally signed by MP
Date: 2022.09.22
09:27:50
-0700'

Verified: **PB**
Digitally signed by PB
Date: 2022.09.23
11:31:29 -0700'

Dimensions are in millimeters.
Tolerances:
X: ± 0.5 mm
X.X: ± 0.3 mm
X.XX: ± 0.05 mm

Notes:
RoHS compliant
Jacket meets ISO 10993 Biological Compatibility
Phthalate and halogen free
Function test: no open, no short, no intermittent

Description:
Wire, 5C TS, 32 AWG, 150V, 70C, 2.6 mm, TPU, 75A, gray, WBL

TENSILITY

tel 1.541.323.3228 800 877.670.7118
fax 1.541.323.4202 web tensility.com

Size:	Part number:
A	30-02733
Scale: 15:1	Sheet 1 of 1

5

4

3

2

1