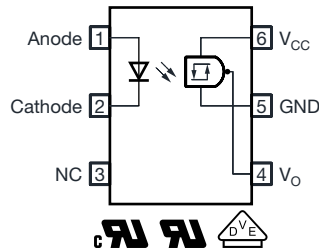


## High Speed Optocoupler, 1 MBd, Schmitt Trigger



23030



### FEATURES

- High data rate 2 MHz (NRZ)
- Latch up and oscillation free
- Low turn-on threshold current 2 mA
- Logic compatible output
- Guaranteed on / off threshold hysteresis
- Wide supply voltage range 3 V to 15 V
- Minimum common mode transient immunity (CMTI) 10 kV/μs
- Material categorization: for definitions of compliance please see [www.vishay.com/doc?99912](http://www.vishay.com/doc?99912)


**RoHS**  
COMPLIANT

### APPLICATIONS

- Microprocessor system interface
- Ground loop elimination
- Galvanic noise isolation
- Serial bus systems
- Digital control power supply
- Signal level translation
- PLC, ATE input / output isolation
- Computer peripheral interface

### DESIGN SUPPORT TOOLS AVAILABLE



3D Models



Design Tools



Related Documents



SPICE Models

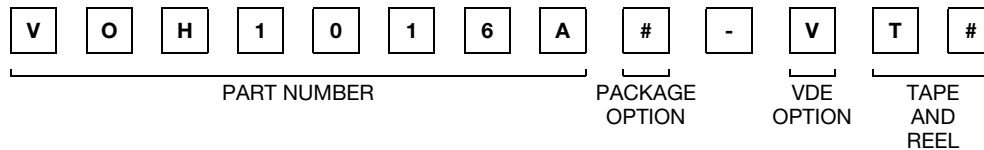
### DESCRIPTION

The VOH1016A is a single channel 1 MBd optocoupler utilizing a high efficient input LED coupled with an integrated optical photodiode IC detector. The detector has an open collector transistor output with Schmitt-Trigger functionality. The low turn-on threshold and low supply current together with a guaranteed common mode transient immunity of 10 kV/μs makes the VOH1016A to a perfect solution for galvanic noise isolation or to break up ground loops in digital applications. The wide power supply range up to 15 V enables isolated level shifting in applications using different voltage domains.

### AGENCY APPROVALS

- [UL 1577](#)
- [cUL 1577](#)
- [DIN EN 60747-5-5 \(VDE 0884-5\) available with option "V"](#)

### ORDERING INFORMATION



| AGENCY CERTIFIED / PACKAGE | CMTI (kV/μs)  |
|----------------------------|---------------|
| <b>UL, cUL</b>             | <b>10</b>     |
| DIP-6                      | VOH1016AD     |
| DIP-6, 400 mil             | VOH1016AG     |
| SMD-6                      | VOH1016AB-T   |
| SMD-6, 180° oriented       | VOH1016AB-T2  |
| <b>VDE, UL, cUL</b>        | <b>10</b>     |
| DIP-6                      | VOH1016AD-V   |
| DIP-6, 400 mil             | VOH1016AG-V   |
| SMD-6                      | VOH1016AB-VT  |
| SMD-6, 180° oriented       | VOH1016AB-VT2 |



| TRUTH TABLE (positive logic) |        |
|------------------------------|--------|
| LED                          | OUTPUT |
| On                           | L      |
| Off                          | H      |

| ABSOLUTE MAXIMUM RATINGS ( $T_{amb} = 25\text{ }^{\circ}\text{C}$ , unless otherwise specified) |            |            |             |                    |
|-------------------------------------------------------------------------------------------------|------------|------------|-------------|--------------------|
| PARAMETER                                                                                       | CONDITIONS | SYMBOL     | VALUE       | UNIT               |
| <b>INPUT</b>                                                                                    |            |            |             |                    |
| Forward current                                                                                 |            | $I_F$      | 50          | mA                 |
| Reverse voltage                                                                                 |            | $V_R$      | 6           | V                  |
| Power dissipation                                                                               |            | $P_{diss}$ | 120         | mW                 |
| <b>OUTPUT</b>                                                                                   |            |            |             |                    |
| Supply voltage                                                                                  |            | $V_{CC}$   | 16          | V                  |
| Output voltage                                                                                  |            | $V_O$      | $V_{CC}$    | V                  |
| Output current                                                                                  |            | $I_O$      | 50          | mA                 |
| Power dissipation                                                                               |            | $P_{diss}$ | 130         | mW                 |
| <b>COUPLER</b>                                                                                  |            |            |             |                    |
| Power dissipation                                                                               |            | $P_{diss}$ | 250         | mW                 |
| Storage temperature                                                                             |            | $T_{stg}$  | -55 to +150 | $^{\circ}\text{C}$ |
| Operating temperature                                                                           |            | $T_{amb}$  | -40 to +110 | $^{\circ}\text{C}$ |
| Solder temperature                                                                              | For 10 s   | $T_{sld}$  | 260         | $^{\circ}\text{C}$ |

**Note**

- Stresses in excess of the absolute maximum ratings can cause permanent damage to the device. Functional operation of the device is not implied at these or any other conditions in excess of those given in the operational sections of this document. Exposure to absolute maximum ratings for extended periods of the time can adversely affect reliability

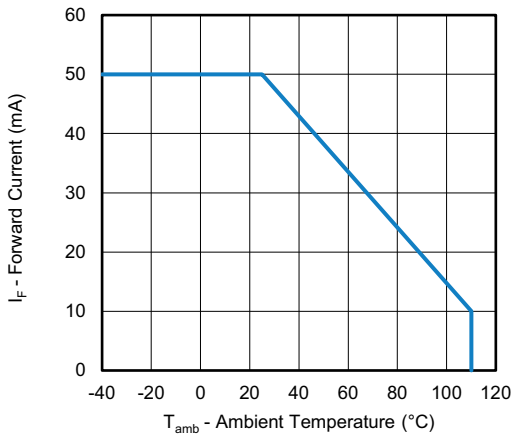


Fig. 1 - Forward Current vs. Ambient Temperature

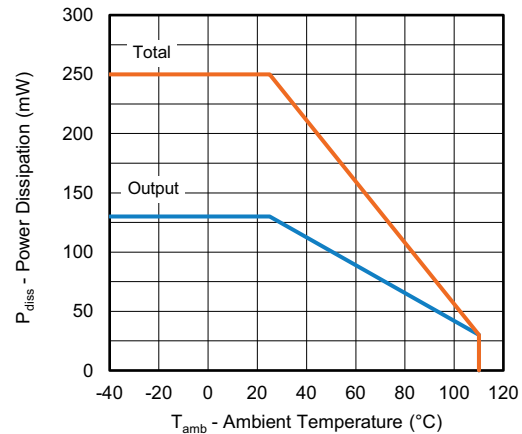


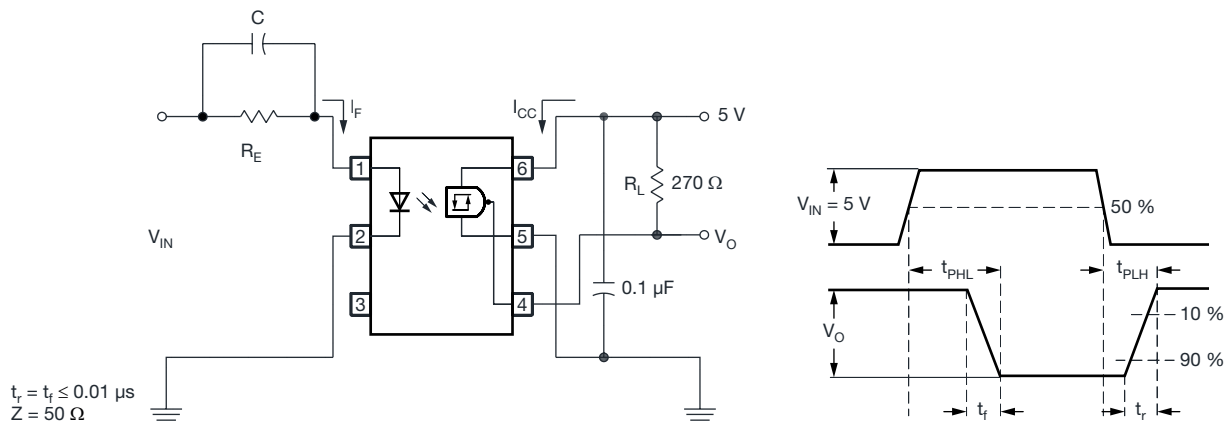
Fig. 2 - Power Dissipation vs. Ambient Temperature

| <b>ELECTRICAL CHARACTERISTICS</b> ( $T_{amb} = 25\text{ }^{\circ}\text{C}$ , unless otherwise specified) |                                                                 |                        |      |      |      |               |
|----------------------------------------------------------------------------------------------------------|-----------------------------------------------------------------|------------------------|------|------|------|---------------|
| PARAMETER                                                                                                | TEST CONDITION                                                  | SYMBOL                 | MIN. | TYP. | MAX. | UNIT          |
| <b>INPUT</b>                                                                                             |                                                                 |                        |      |      |      |               |
| Forward voltage                                                                                          | $I_F = 4\text{ mA}$                                             | $V_F$                  | -    | 1.1  | 1.4  | V             |
|                                                                                                          | $I_F = 0.3\text{ mA}$                                           |                        | 0.7  | 1.0  | -    |               |
| Reverse current                                                                                          | $V_R = 3\text{ V}$                                              | $I_R$                  | -    | -    | 10   | $\mu\text{A}$ |
| Input capacitance                                                                                        | $f = 1\text{ MHz}, V_F = 0\text{ V}$                            | $C_{IN}$               | -    | 30   | 250  | pF            |
| <b>OUTPUT</b>                                                                                            |                                                                 |                        |      |      |      |               |
| Supply voltage                                                                                           |                                                                 | $V_{CC}$               | 3    | -    | 15   | V             |
| High level supply current                                                                                | $I_F = 0\text{ mA}, V_{CC} = 5\text{ V}$                        | $I_{CCH}$              | -    | 0.55 | 1.0  | mA            |
| Low level supply current                                                                                 | $I_F = 4\text{ mA}, V_{CC} = 5\text{ V}$                        | $I_{CCL}$              | -    | 0.55 | 1.0  | mA            |
| High level output current                                                                                | $V_{CC} = V_O = 15\text{ V}, I_F = 0\text{ mA}$                 | $I_{OH}$               | -    | -    | 100  | $\mu\text{A}$ |
| Low level output voltage                                                                                 | $V_{CC} = 5\text{ V}, I_F = 4\text{ mA}, I_{OL} = 16\text{ mA}$ | $V_{OL}$               | -    | 0.2  | 0.4  | V             |
| Turn-On threshold current                                                                                | $V_{CC} = 5\text{ V}, R_L = 280\ \Omega$                        | $I_{F(on)}$            | -    | 0.65 | 2.0  | mA            |
| Turn-Off threshold current                                                                               | $V_{CC} = 5\text{ V}, R_L = 280\ \Omega$                        | $I_{F(off)}$           | 0.4  | 0.6  | -    | mA            |
| Hysteresis ratio                                                                                         | $V_{CC} = 5\text{ V}, R_L = 280\ \Omega$                        | $I_{F(off)}/I_{F(on)}$ | 0.5  | 0.9  | 0.95 |               |

**Note**

- Minimum and maximum values are testing requirements. Typical values are characteristics of the device and are the result of engineering evaluation. Typical values are for information only and are not part of the testing requirements

| <b>SWITCHING CHARACTERISTICS</b> ( $T_{amb} = 25\text{ }^{\circ}\text{C}$ , unless otherwise specified) |                                                             |           |      |      |      |               |     |
|---------------------------------------------------------------------------------------------------------|-------------------------------------------------------------|-----------|------|------|------|---------------|-----|
| PARAMETER                                                                                               | TEST CONDITION                                              | SYMBOL    | MIN. | TYP. | MAX. | UNIT          |     |
| Propagation delay time to high output level                                                             | $R_L = 280\ \Omega, V_{CC} = 5\text{ V}, I_F = 4\text{ mA}$ | $t_{PLH}$ | -    | 0.25 | 2    | $\mu\text{s}$ |     |
| Propagation delay time to low output level                                                              |                                                             | $t_{PHL}$ | -    | 0.05 | 1.2  | $\mu\text{s}$ |     |
| Rise time                                                                                               |                                                             | $t_r$     | -    | 0.05 | 0.5  | $\mu\text{s}$ |     |
| Fall time                                                                                               |                                                             | $t_f$     | -    | 0.04 | 0.5  | $\mu\text{s}$ |     |
| Data rate                                                                                               |                                                             |           |      | -    | 2    | -             | MHz |


 Fig. 3 - Test Circuit for  $t_{on}$ ,  $t_{off}$ ,  $t_r$ , and  $t_f$

| <b>COMMON MODE TRANSIENT IMMUNITY</b> ( $T_{amb} = 25\text{ }^{\circ}\text{C}$ , unless otherwise specified) |                                                                                                                |          |      |      |      |                         |
|--------------------------------------------------------------------------------------------------------------|----------------------------------------------------------------------------------------------------------------|----------|------|------|------|-------------------------|
| PARAMETER                                                                                                    | TEST CONDITION                                                                                                 | SYMBOL   | MIN. | TYP. | MAX. | UNIT                    |
| Common mode transient immunity                                                                               | $R_L = 270\ \Omega$ , $V_{CC} = 5\ \text{V}$ , $V_{CM} = 1000\ \text{V}$ ,<br>$I_F = 0\ \text{mA}$             | $ CM_H $ | 10   | -    | -    | $\text{kV}/\mu\text{s}$ |
|                                                                                                              | $R_L = 270\ \Omega$ , $V_{CC} = 5\ \text{V}$ , $V_{CM} = 1000\ \text{V}$ ,<br>$I_F = I_{F(on)}\ (\text{max.})$ | $ CM_L $ | 10   | -    | -    | $\text{kV}/\mu\text{s}$ |

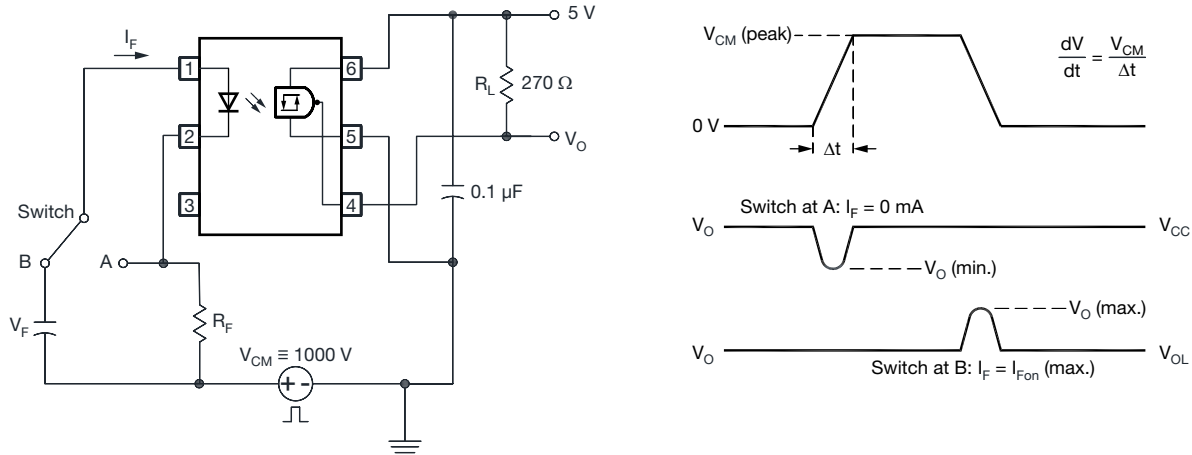


Fig. 4 - Test Circuit for Common Mode Transient Immunity

| <b>SAFETY AND INSULATION RATINGS</b> ( $T_{amb} = 25\text{ }^{\circ}\text{C}$ , unless otherwise specified) |                                                                    |            |           |                    |
|-------------------------------------------------------------------------------------------------------------|--------------------------------------------------------------------|------------|-----------|--------------------|
| PARAMETER                                                                                                   | TEST CONDITION                                                     | SYMBOL     | VALUE     | UNIT               |
| Comparative tracking index                                                                                  | Insulation group IIIa                                              | CTI        | 175       |                    |
| Maximum rated withstanding isolation voltage                                                                | According to UL1577, $t = 1\ \text{min}$                           | $V_{ISO}$  | 5000      | $V_{RMS}$          |
| Maximum transient isolation voltage                                                                         | According to DIN EN 60747-5-5                                      | $V_{IOTM}$ | 6000      | $V_{peak}$         |
| Maximum repetitive peak isolation voltage                                                                   | According to DIN EN 60747-5-5                                      | $V_{IORM}$ | 630       | $V_{peak}$         |
| Isolation resistance                                                                                        | $T_{amb} = 25\text{ }^{\circ}\text{C}$ , $V_{IO} = 500\ \text{V}$  | $R_{IO}$   | $10^{12}$ | $\Omega$           |
|                                                                                                             | $T_{amb} = 100\text{ }^{\circ}\text{C}$ , $V_{IO} = 500\ \text{V}$ | $R_{IO}$   | $10^{11}$ | $\Omega$           |
| Output safety power                                                                                         |                                                                    | $P_{SO}$   | 150       | mW                 |
| Input safety current                                                                                        |                                                                    | $I_{SI}$   | 20        | mA                 |
| Input safety temperature                                                                                    |                                                                    | $T_S$      | 175       | $^{\circ}\text{C}$ |
| Creepage distance                                                                                           |                                                                    |            | > 7       | mm                 |
| Clearance distance                                                                                          |                                                                    |            | > 7       | mm                 |
| Insulation thickness                                                                                        |                                                                    | DTI        | > 0.4     | mm                 |



**TYPICAL CHARACTERISTICS** ( $T_{amb} = 25\text{ }^{\circ}\text{C}$ , unless otherwise specified)

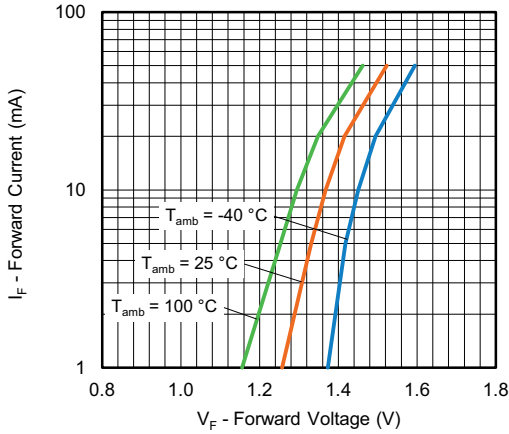


Fig. 5 - Forward Current vs. Forward Voltage

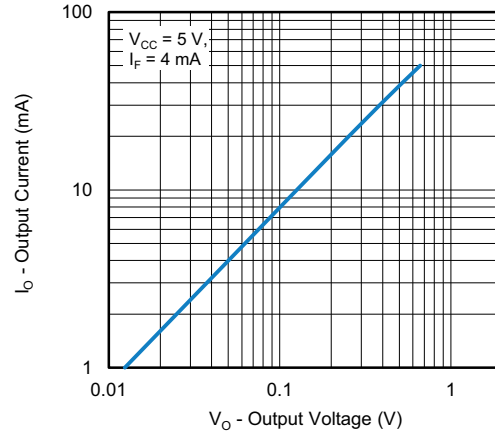


Fig. 8 - Output Current vs. Output Voltage

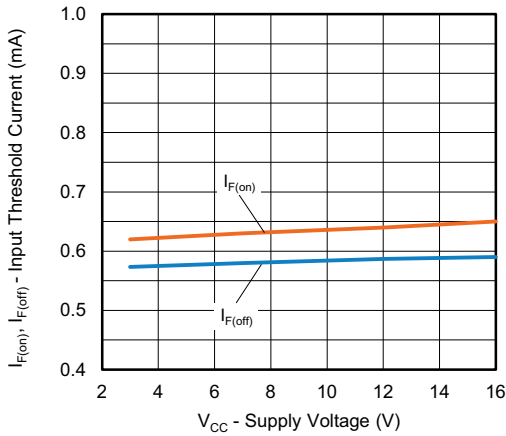


Fig. 6 - Input Threshold Current vs. Supply Voltage

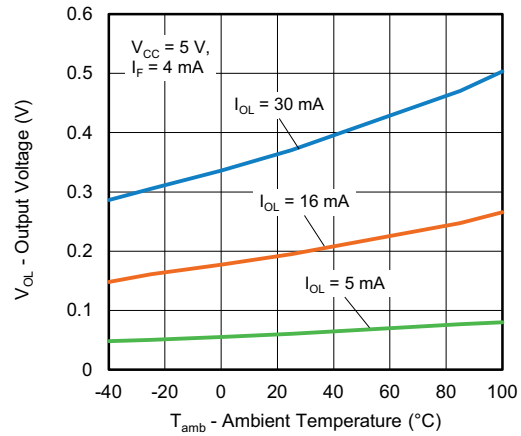


Fig. 9 - Output Voltage vs. Ambient Temperature

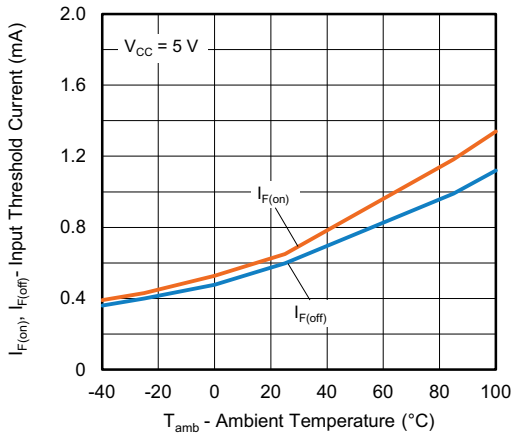


Fig. 7 - Input Threshold Current vs. Ambient Temperature

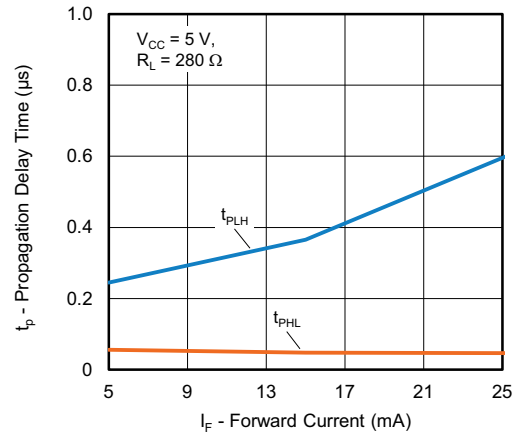


Fig. 10 - Propagation Delay Time vs. Forward Current

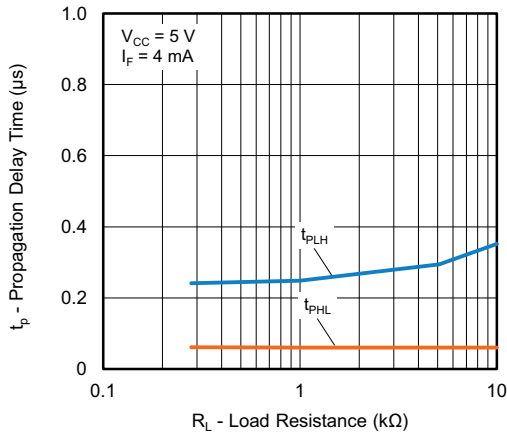


Fig. 11 - Propagation Delay Time vs. Load Resistance

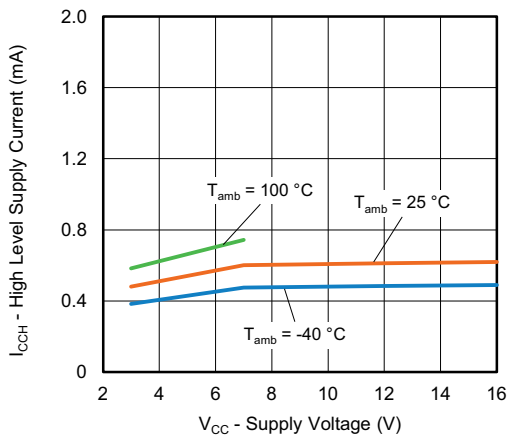


Fig. 12 - High Level Supply Current vs. Supply Voltage

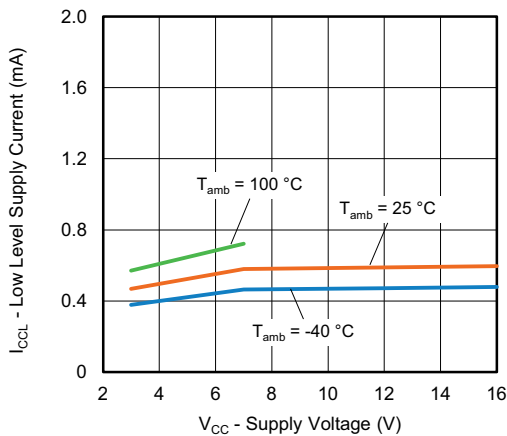
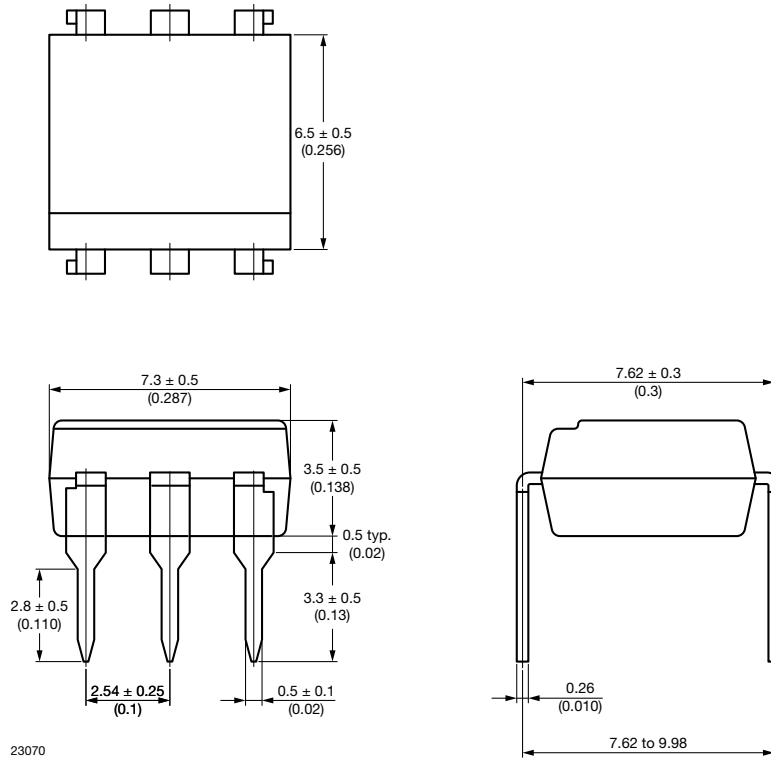


Fig. 13 - Low Level Supply Current vs. Supply Voltage



## PACKAGE DIMENSIONS (in millimeters)

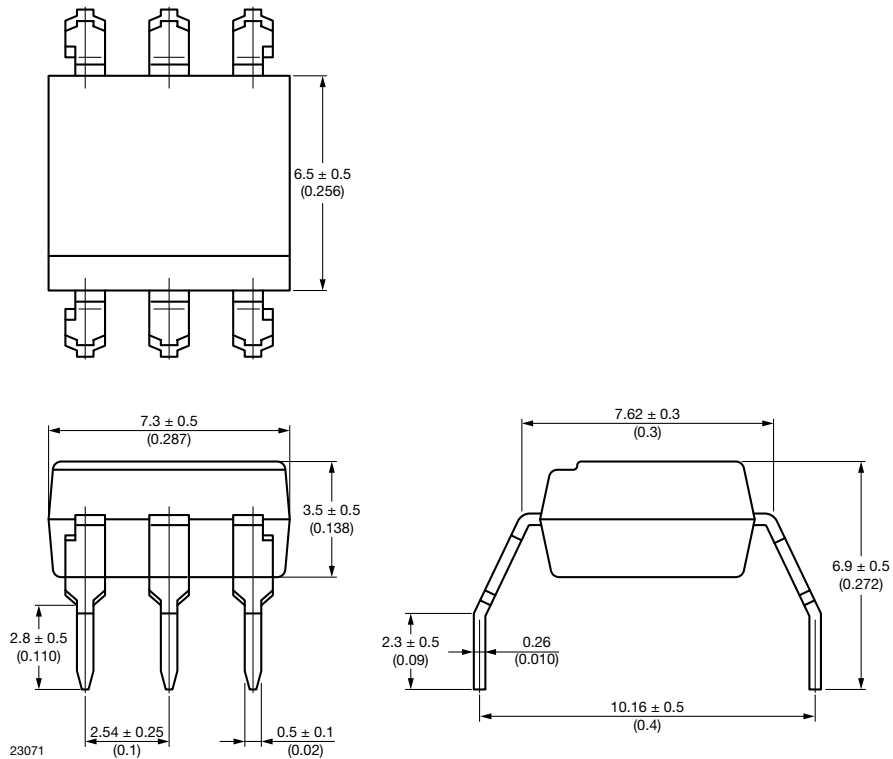
### DIP-6



23070

Fig. 1

### DIP-6, 400 mil



23071

Fig. 2

**SMD-6**

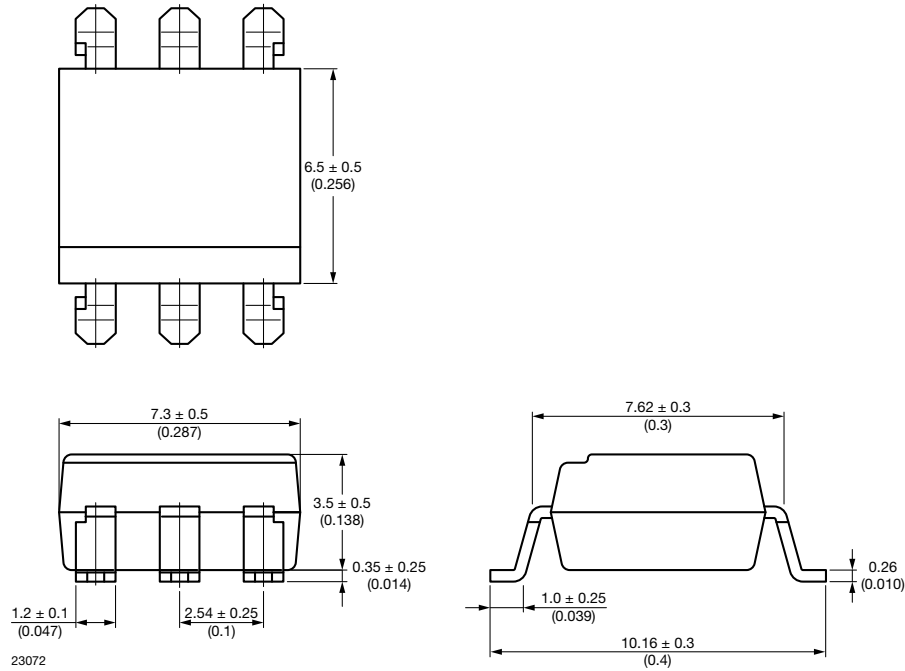


Fig. 3

**PACKAGE MARKING**

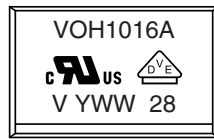


Fig. 14 - Example of VOH1016AB-VT

**Notes**

- “YWW” is the date code marking (Y = year code, WW = week code)
- VDE logo is only marked on option “V” parts
- Tape and reel suffix (T) is not part of the package marking





## PACKING INFORMATION (in millimeters)

| DEVICES PER TUBES |            |           |           |
|-------------------|------------|-----------|-----------|
| TYPE              | UNITS/TUBE | TUBES/BOX | UNITS/BOX |
| DIP-6             | 50         | 40        | 2000      |
| DIP-6, 400 mil    | 50         | 40        | 2000      |

### Tape SMD-6

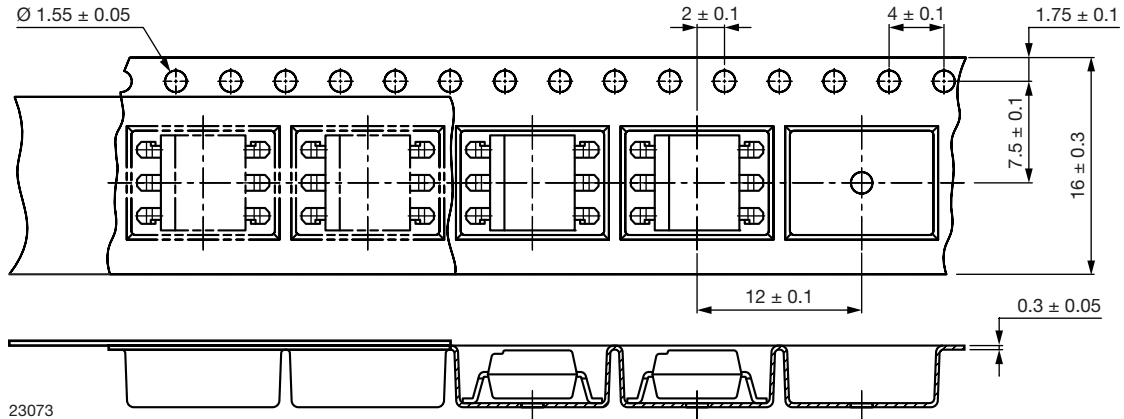


Fig. 15 - Tape and Reel Packaging (1000 pieces on reel)

### Tape SMD-6, 180° orientation

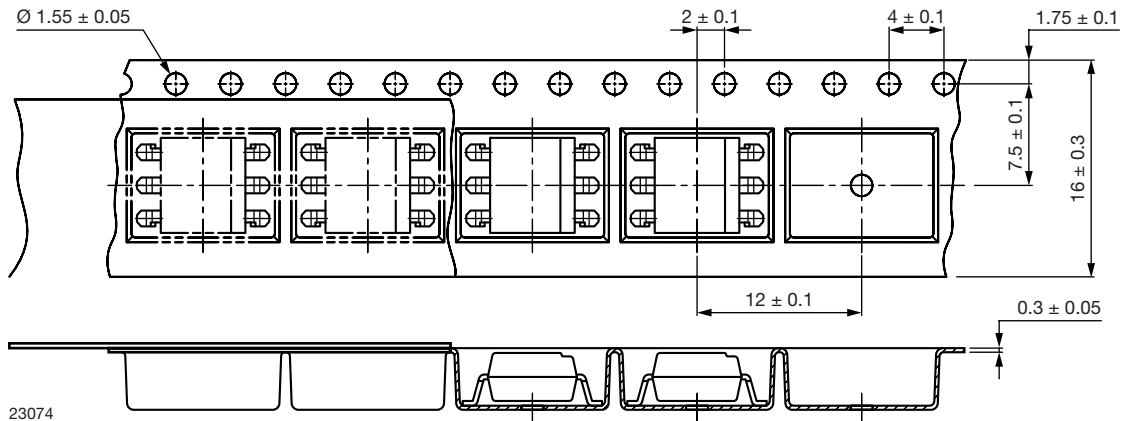


Fig. 16 - Tape and Reel Packaging (1000 pieces on reel)

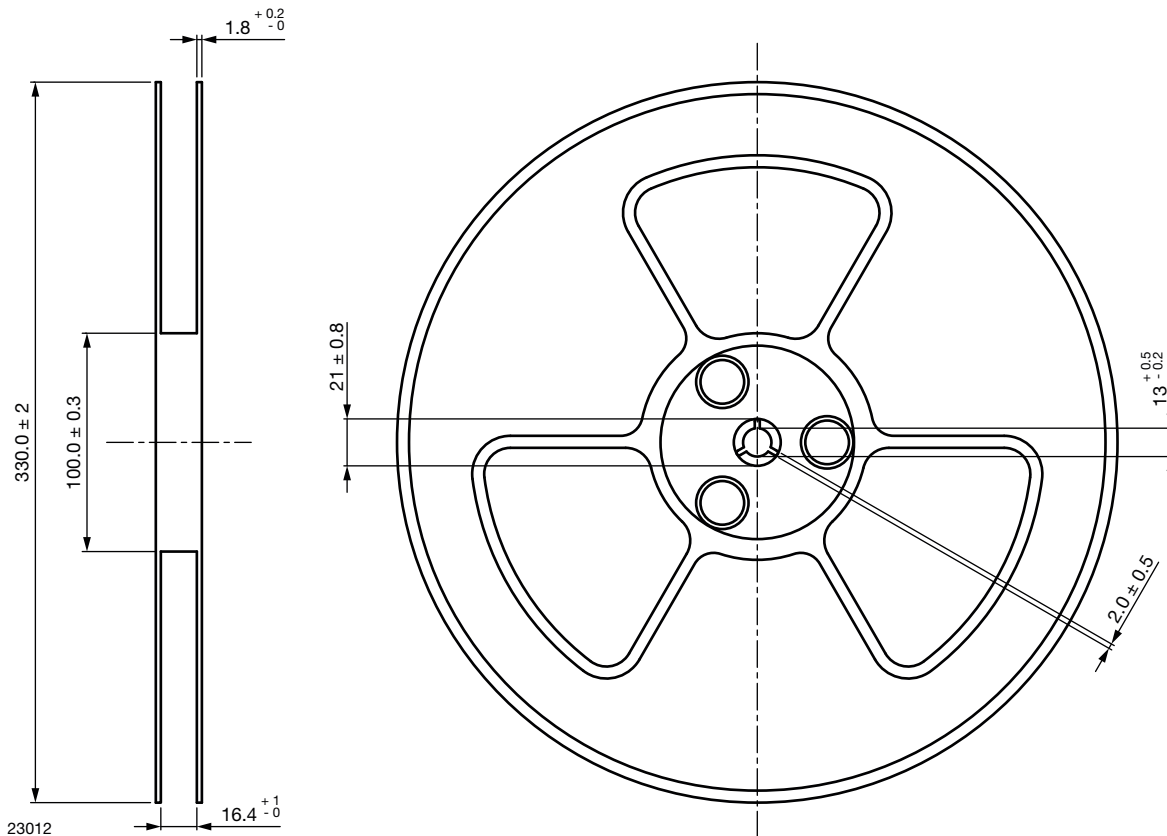
**Reel**


Fig. 17 - Tape and Reel Shipping Medium

**SOLDER PROFILES**
**IR Reflow Soldering (JEDEC® J-STD-020C compliant)**

One time soldering reflow is recommended within the condition of temperature and time profile shown below. Do not solder more than three times.

| PROFILE ITEM                                   | CONDITIONS       |
|------------------------------------------------|------------------|
| Preheat                                        |                  |
| - Temperature minimum ( $T_{S \text{ min.}}$ ) | 150 °C           |
| - Temperature maximum ( $T_{S \text{ max.}}$ ) | 200 °C           |
| - Time (min. to max.) ( $t_S$ )                | 90 s ± 30 s      |
| Soldering zone                                 |                  |
| - Temperature ( $T_L$ )                        | 217 °C           |
| - Time ( $t_L$ )                               | 60 s             |
| Peak temperature ( $T_p$ )                     | 260 °C           |
| Ramp-up rate                                   | 3 °C/s max.      |
| Ramp-down rate                                 | 3 °C/s to 6 °C/s |

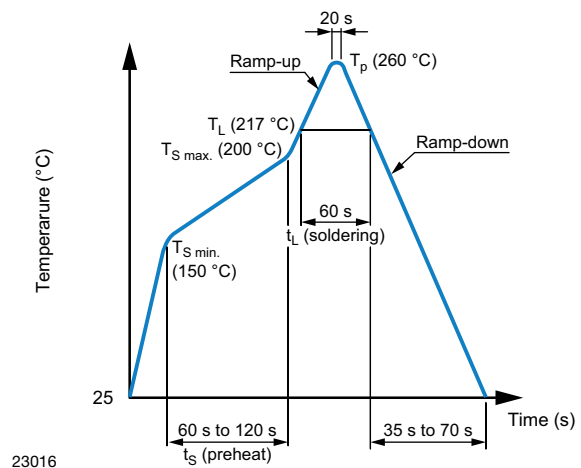


Fig. 18



### Wave Soldering (JEDEC JESD22-A111 compliant)

One time soldering is recommended within the condition of temperature.

Temperature: 260 °C + 0 °C / - 5 °C

Time: 10 s

Preheat temperature: 25 °C to 140 °C

Preheat time: 30 s to 80 s

### Hand Soldering by Soldering Iron

Allow single lead soldering in every single process. One time soldering is recommended.

Temperature: 380 °C + 0 °C / - 5 °C

Time: 3 s max.

### HANDLING AND STORAGE CONDITIONS

ESD level: HBM class 2

Floor life: unlimited

Conditions: T<sub>amb</sub> < 30 °C, RH < 85 %

Moisture sensitivity level 1, according to J-STD-020

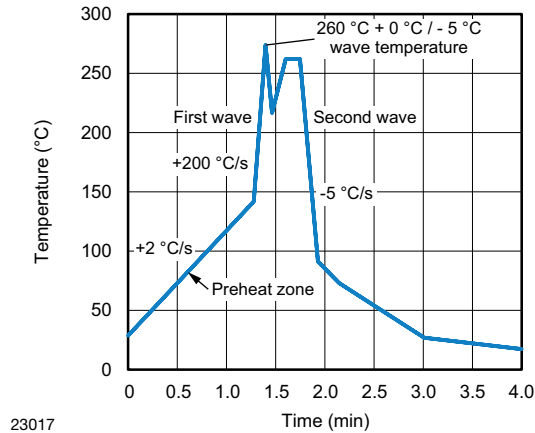


Fig. 19

23017



## Disclaimer

ALL PRODUCT, PRODUCT SPECIFICATIONS AND DATA ARE SUBJECT TO CHANGE WITHOUT NOTICE TO IMPROVE RELIABILITY, FUNCTION OR DESIGN OR OTHERWISE.

Vishay Intertechnology, Inc., its affiliates, agents, and employees, and all persons acting on its or their behalf (collectively, "Vishay"), disclaim any and all liability for any errors, inaccuracies or incompleteness contained in any datasheet or in any other disclosure relating to any product.

Vishay makes no warranty, representation or guarantee regarding the suitability of the products for any particular purpose or the continuing production of any product. To the maximum extent permitted by applicable law, Vishay disclaims (i) any and all liability arising out of the application or use of any product, (ii) any and all liability, including without limitation special, consequential or incidental damages, and (iii) any and all implied warranties, including warranties of fitness for particular purpose, non-infringement and merchantability.

Statements regarding the suitability of products for certain types of applications are based on Vishay's knowledge of typical requirements that are often placed on Vishay products in generic applications. Such statements are not binding statements about the suitability of products for a particular application. It is the customer's responsibility to validate that a particular product with the properties described in the product specification is suitable for use in a particular application. Parameters provided in datasheets and / or specifications may vary in different applications and performance may vary over time. All operating parameters, including typical parameters, must be validated for each customer application by the customer's technical experts. Product specifications do not expand or otherwise modify Vishay's terms and conditions of purchase, including but not limited to the warranty expressed therein.

Hyperlinks included in this datasheet may direct users to third-party websites. These links are provided as a convenience and for informational purposes only. Inclusion of these hyperlinks does not constitute an endorsement or an approval by Vishay of any of the products, services or opinions of the corporation, organization or individual associated with the third-party website. Vishay disclaims any and all liability and bears no responsibility for the accuracy, legality or content of the third-party website or for that of subsequent links.

Except as expressly indicated in writing, Vishay products are not designed for use in medical, life-saving, or life-sustaining applications or for any other application in which the failure of the Vishay product could result in personal injury or death. Customers using or selling Vishay products not expressly indicated for use in such applications do so at their own risk. Please contact authorized Vishay personnel to obtain written terms and conditions regarding products designed for such applications.

No license, express or implied, by estoppel or otherwise, to any intellectual property rights is granted by this document or by any conduct of Vishay. Product names and markings noted herein may be trademarks of their respective owners.