

4

3

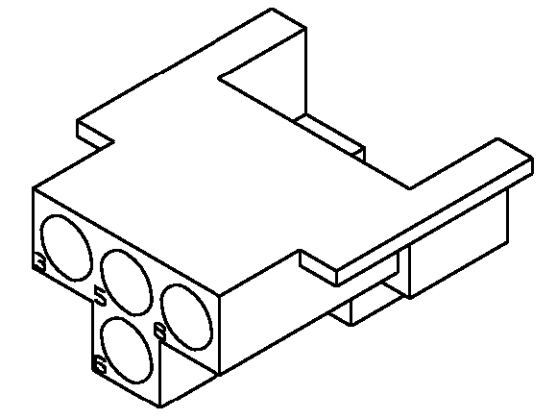
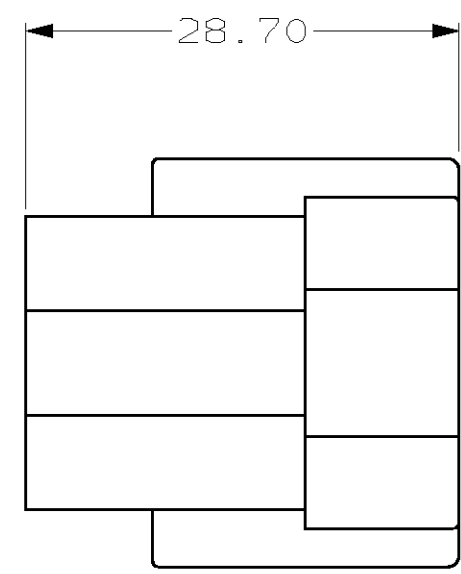
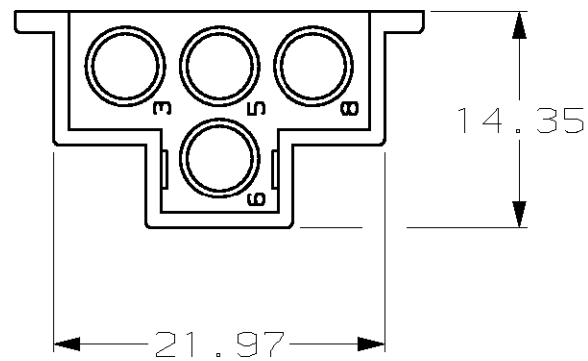
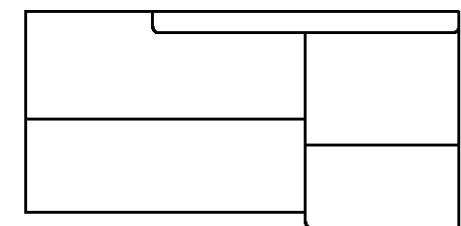
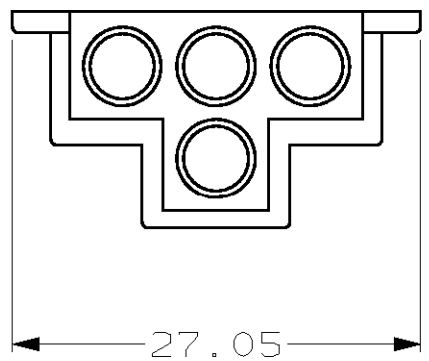
2

1

THIS DRAWING IS UNPUBLISHED. RELEASED FOR PUBLICATION, 19 .
 © COPYRIGHT 19 BY AMP INCORPORATED. ALL RIGHTS RESERVED.

LOC	DIST	REVISIONS			
P	LTR	DESCRIPTION	DATE	DWN	APVD
CM	53	0	RELEASED PER PR CM 99-53	26-AUG-99	KW JS

1. HOUSING HAS A UL ELECTRICAL TEMPERATURE INDEX OF 150° C.
2. TO BE USED WITH APPROPRIATE .140 MATE-N-LOK PINS.



3-DIMENSIONAL MODEL
NTS

794700-1
PART NUMBER

28.70	1.130
27.05	1.065
21.97	.865
14.35	.565
3.56	.140
0.13	.005
MM	IN
CONVERSION TABLE	

METRIC

THIS DRAWING IS A CONTROLLED DOCUMENT.		DWN K. WHITAKER 26-AUG-1999	AMP AMP Incorporated Harrisburg, PA 17105-3608												
DIMENSIONS: mm		CHK J. SCHLUNZ 26-AUG-1999													
TOLERANCES UNLESS OTHERWISE SPECIFIED:		APVD J. SCHLUNZ 26-AUG-1999	NAME CAP, 4 CIRCUIT, .140 MATE-N-LOK™												
<table border="0"> <tr> <td>0 PLC</td> <td>±-</td> </tr> <tr> <td>1 PLC</td> <td>±-</td> </tr> <tr> <td>2 PLC</td> <td>±0.13</td> </tr> <tr> <td>3 PLC</td> <td>±-</td> </tr> <tr> <td>4 PLC</td> <td>±-</td> </tr> <tr> <td>ANGLES</td> <td>±0°30'</td> </tr> </table>		0 PLC	±-	1 PLC	±-	2 PLC	±0.13	3 PLC	±-	4 PLC	±-	ANGLES	±0°30'	PRODUCT SPEC -	SIZE A3
0 PLC	±-														
1 PLC	±-														
2 PLC	±0.13														
3 PLC	±-														
4 PLC	±-														
ANGLES	±0°30'														
MATERIAL NYLON, UL 94V-2, BLACK		APPLICATION SPEC -	CAGE CODE 00779												
FINISH -		WEIGHT -	DRAWING NO C- 794700												
CUSTOMER DRAWING			RESTRICTED TO -												
SCALE 2:1			SHEET 1 OF 1												
REV 0															