

**Materials**

1. Tip, C3604 brass, gold plated
2. Ring, C2680 brass, gold plated
3. Sleeve, C3604 brass, gold plated
4. Insulator, POM, black

**Electrical requirements**

Dielectric strength: 1 min @ 500 Vac and 2mA  
 Insulation resistance: 100 MΩ @ 500 Vdc  
 Contact resistance: 50 mΩ or less

**Mechanical requirements**

Durability: 5000 mating cycles while maintaining normal operation and < 50mΩ  
 Bending strength: ≥ 3.2 kg  
 Breaking strength: ≥ 6.8 kg

**Environmental tests**

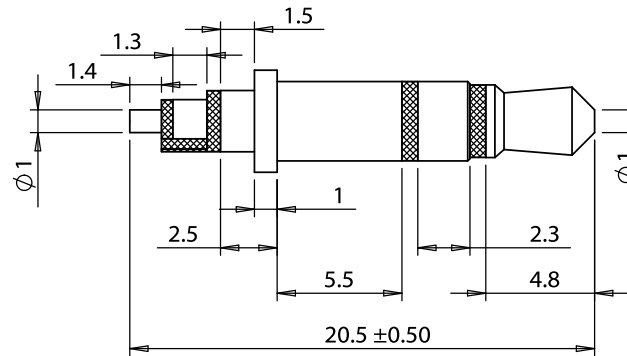
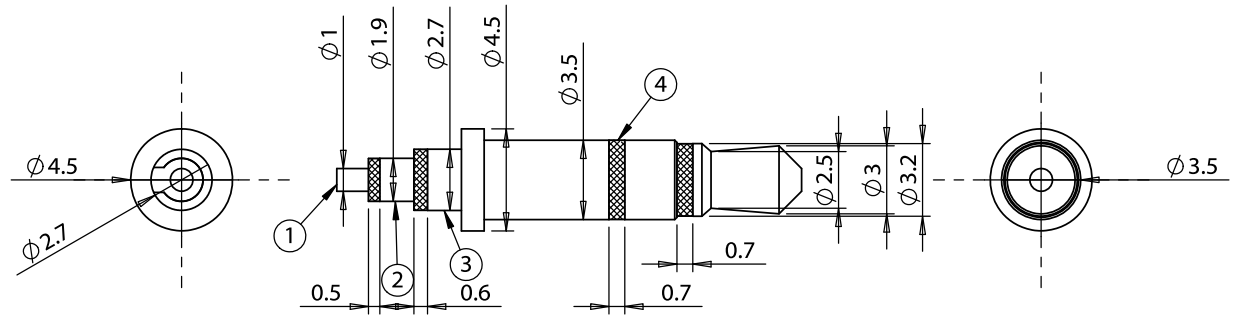
Salt spray test: 5% NaCl spray at 1ml/80cm<sup>2</sup>/h, chamber temp 46.5°C, spray temp 35°C, 87% humidity, 48 hours. No oxidation.

Cold resistance: -25°C±3 for 2 hours with no degradation.

Heat resistance: 85°C±3 for 2 hours with no degradation.

**Operating range**

-30 to 85 °C



REVISION	DATE	DESCRIPTION
A	12/08/2015	Initial release

PREPARED  
**GL** 2015.12.08  
 13:45:37  
 -08'00'

VERIFIED  
**AG** 2015.12.08  
 15:29:23 -08'00'

DIMENSIONS ARE IN MILLIMETERS

TOLERANCES:  
 Up to 1.0: ± 0.1 mm  
 1.0 to 10.0: ± 0.2 mm  
 Over 10.0: ± 0.3 mm

NOTES  
 RoHS compliant

Function test: no open, no short circuit, no intermittent

DESCRIPTION:  
 Connector, stereo plug, 3.5xL20.5 mm, brass, gold plated, molding style

**TENSILITY**

20802 Sockeye Place #130  
 Bend, OR 97701 USA  
 tel 541.323.3228 fax 541.323.4202  
 800 877.670.7118 www.tensility.com

SIZE A	PART NUMBER <b>50-00502</b>
SCALE: 5:1	WEIGHT:
SHEET 1 OF 1	