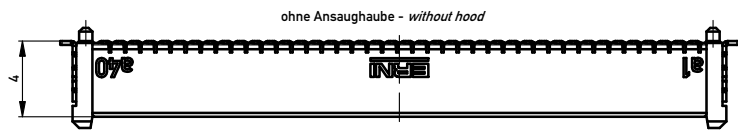
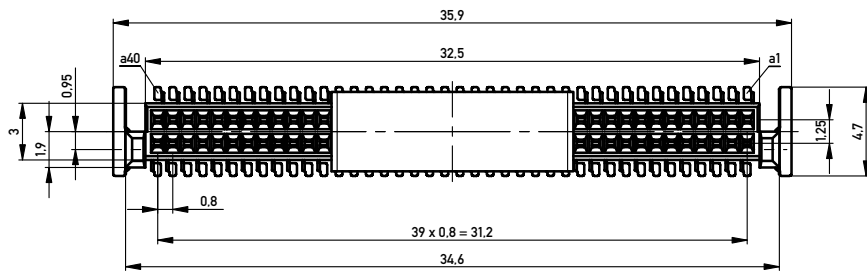
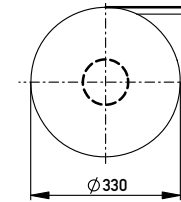
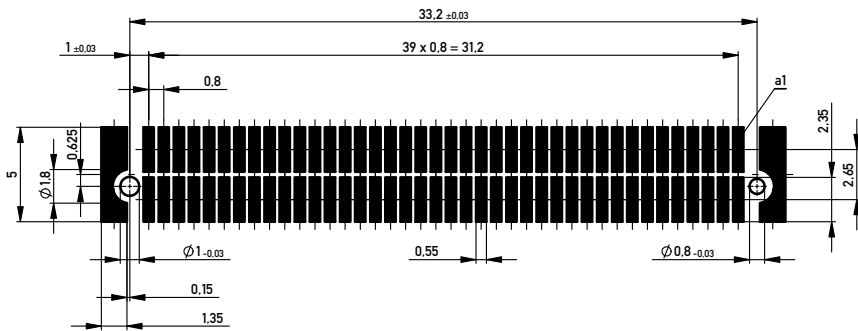


Verpackt im Gurt nach DIN IEC 60286-3
 Tape on Reel Packaging according to DIN IEC 60286-3
 Verpackungseinheit: 1000 Stück
 Packaging unit: 1000 pcs



Leiterplatten-Layout Vorschlag für SMT
 PCB-Layout Proposal for SMT



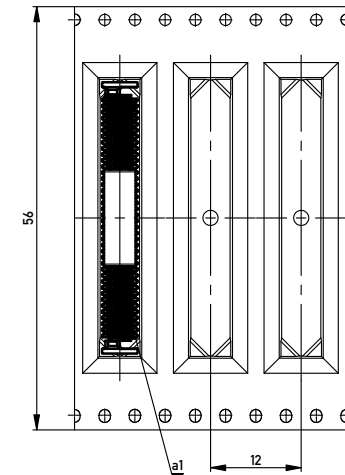
Anforderungsstufe 1
 Performance Level 1

Kontaktbereich vergoldet
 Mating Area gold plating

Anschlussbereich verzinkt 4-6 µm
 Terminal Area 4-6 µm tin plating

Koplanarität der Anschlüsse ≤ 0,1 mm
 Coplanarity Area of Termination ≤ 0,1 mm

Abspulrichtung - Reel off Direction →



Information:	Tolerances	Scale 5:1	
All rights reserved. Only for Information. To ensure that this is the latest version of this drawing, please contact one of the ERNI companies before using.	Subject to modification without prior notice. Drawing will not be updated.	 All Dimensions in mm	Designation
			0.8 DRC-B, F 4mm, 80 polig 0.8 DRC-B, F 4mm, 80 pin
<small>a</small>	02.04.2015	 www.ERNI.com	294008
Index	Date		Class
		Class	DRCB

Copyright by ERNI GmbH
 Proprietary notice pursuant to ISO 16093 to be observed