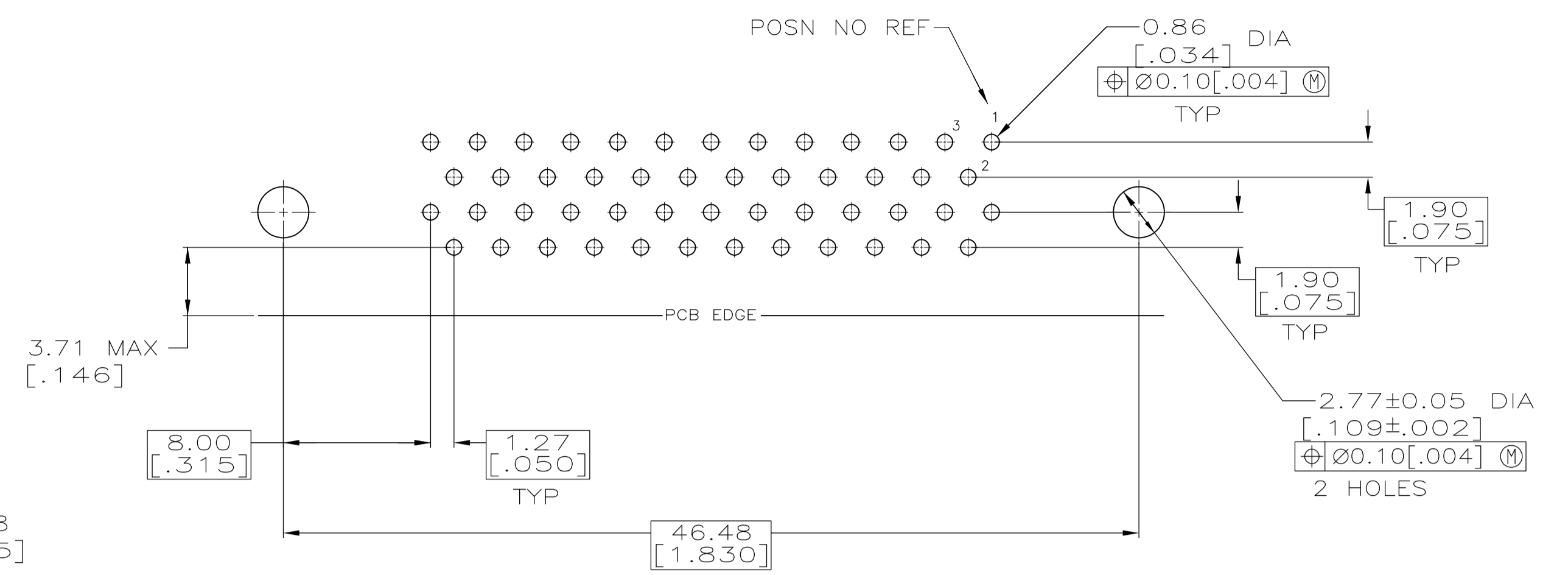
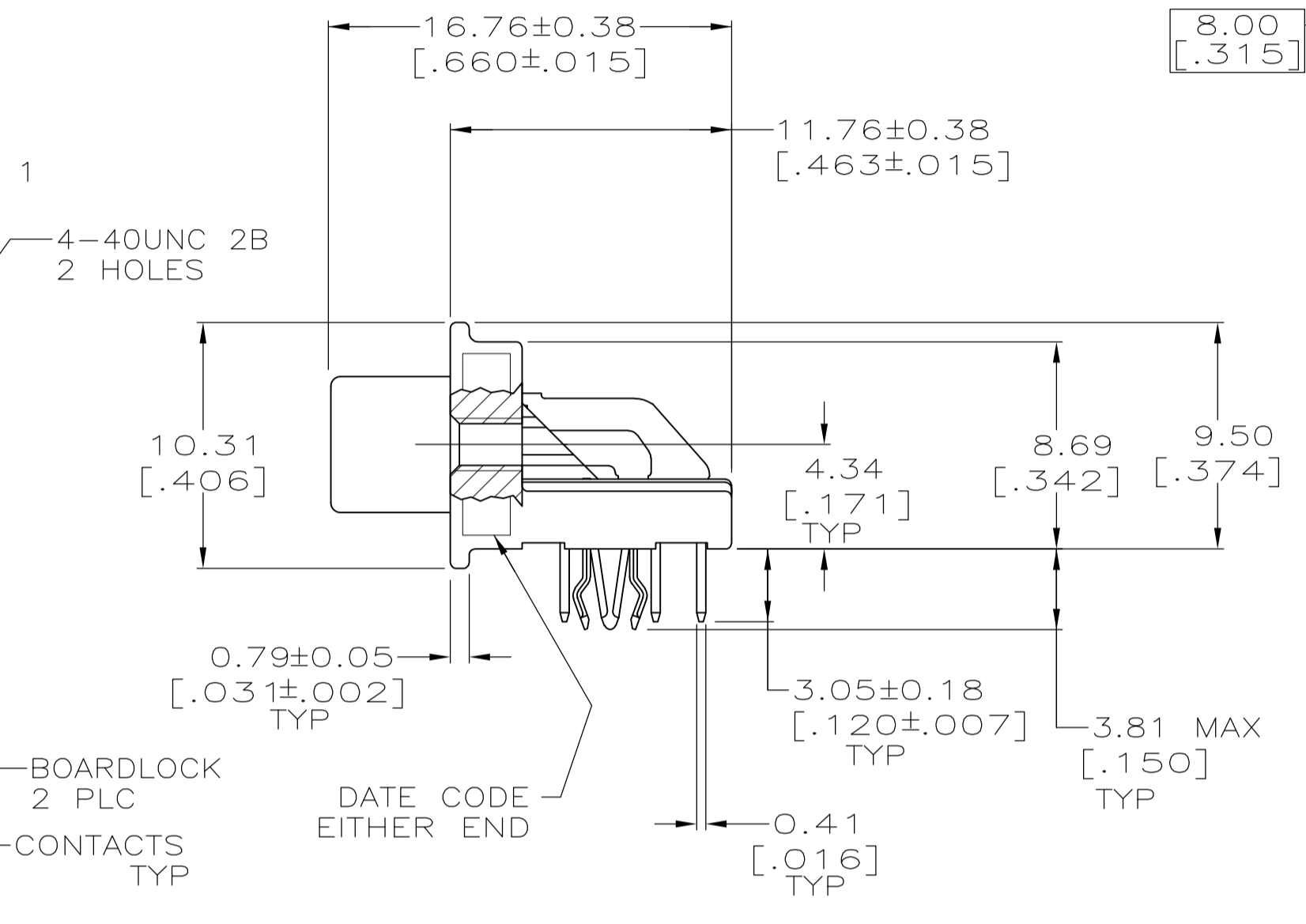
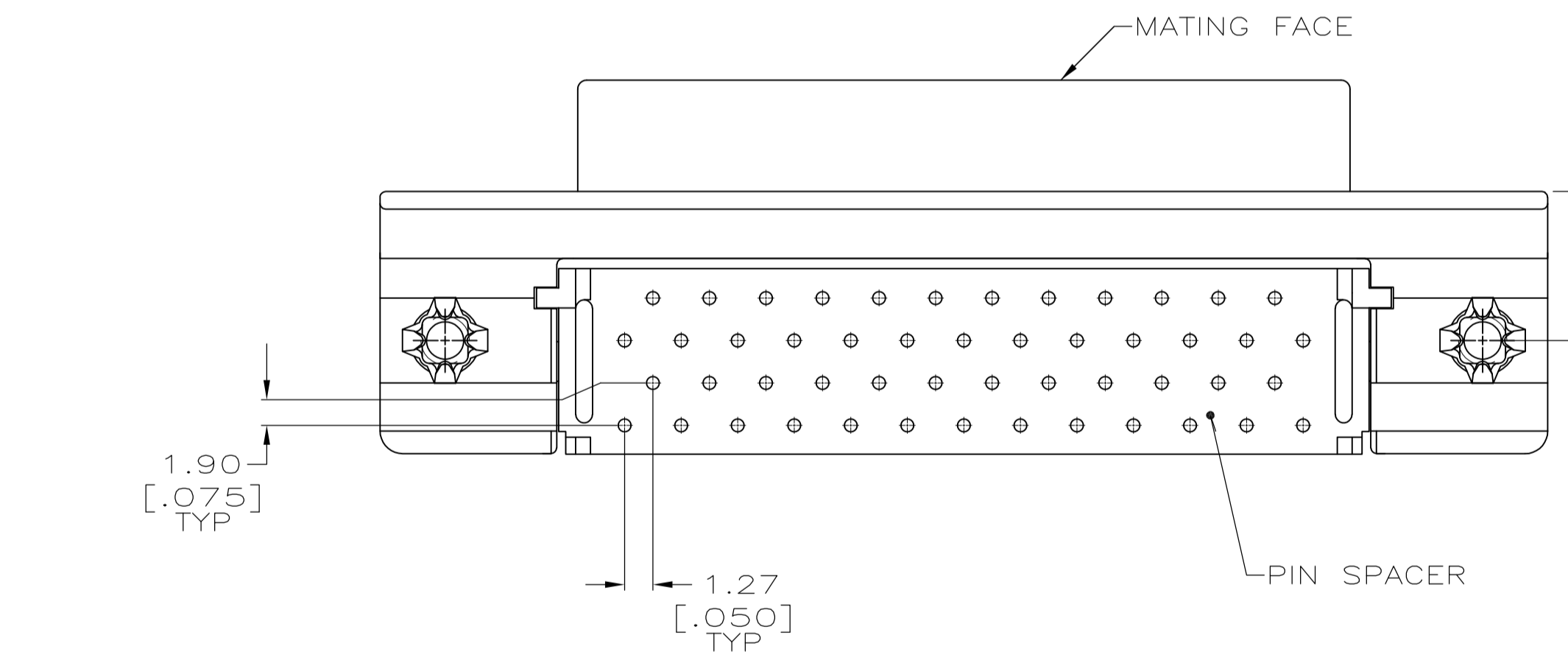
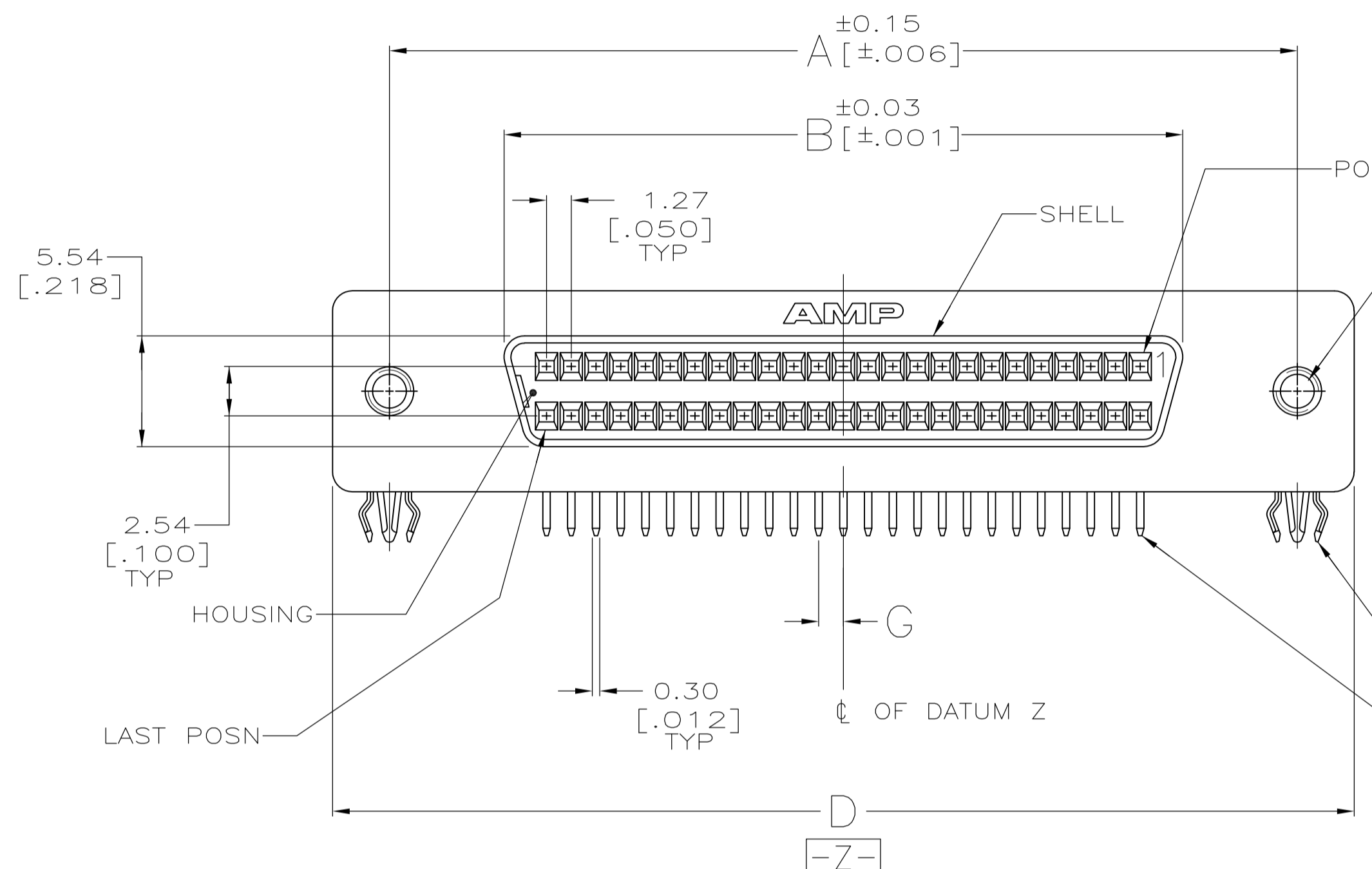
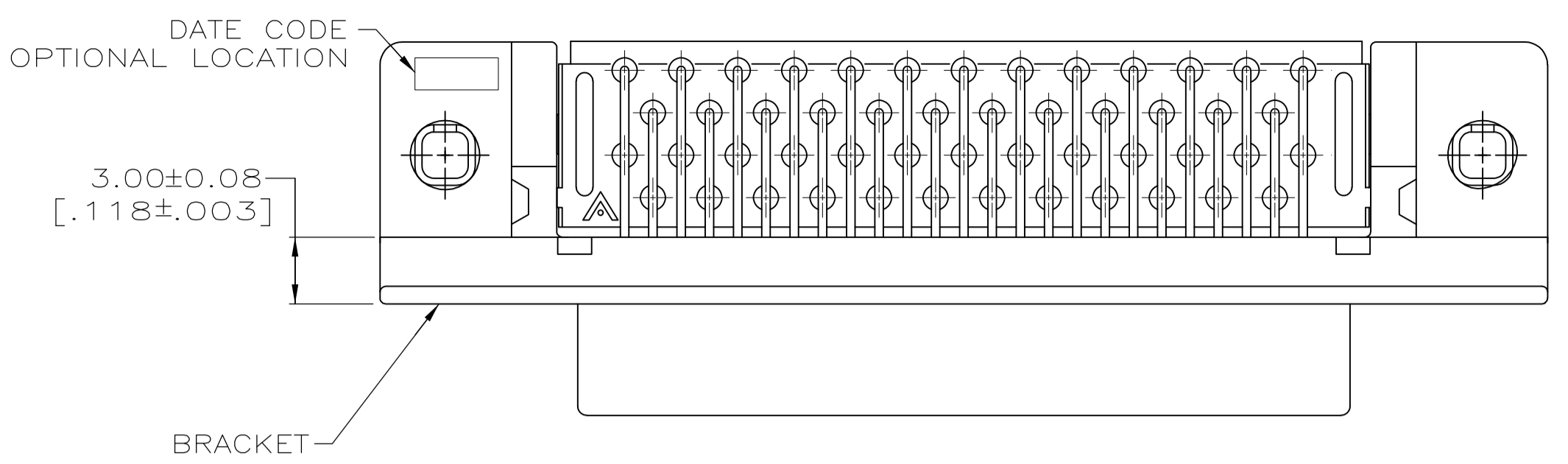
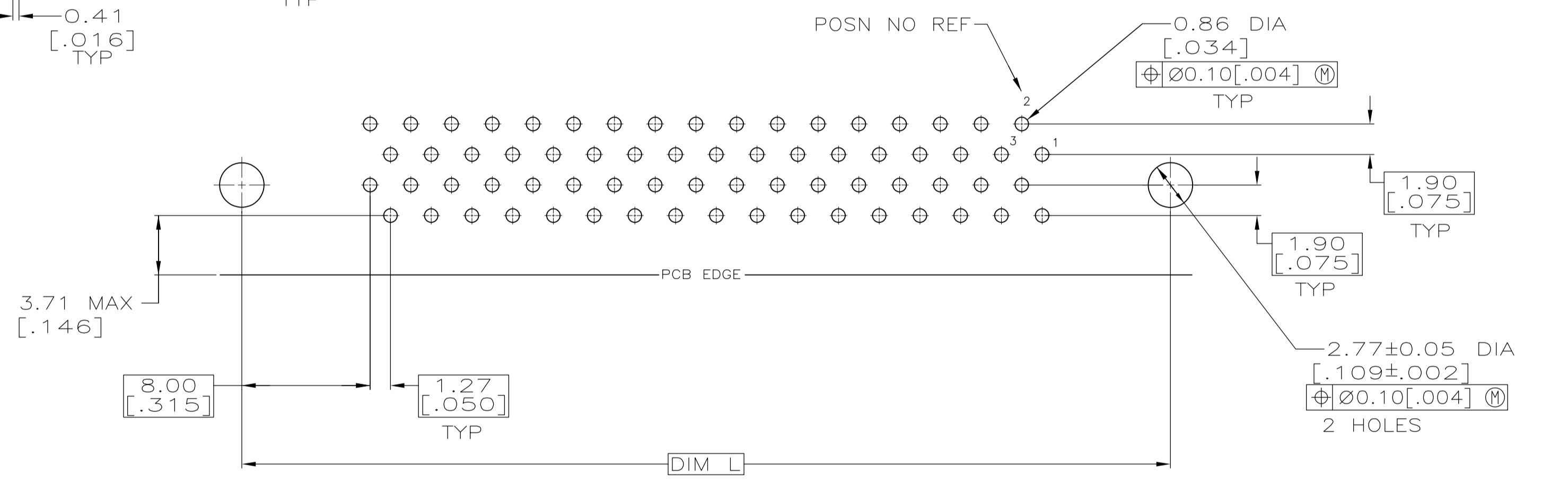


LOC		DIST		REVISIONS			
GP	00	REV	DATE	BY	CHK	APPV	
T		REVISED PER ECO-09-013072	3JUN2009	ZMR	SLB		
T1		REVISED PER ECO-10-000443	18JAN2010	KK	HMR		



P.C. BOARD MOUNTING DIMENSIONS
 CONNECTOR SIDE
 P.C. BOARD THICKNESS 2.36±0.20 [0.093±0.008]
 PC BOARD PATTERN S

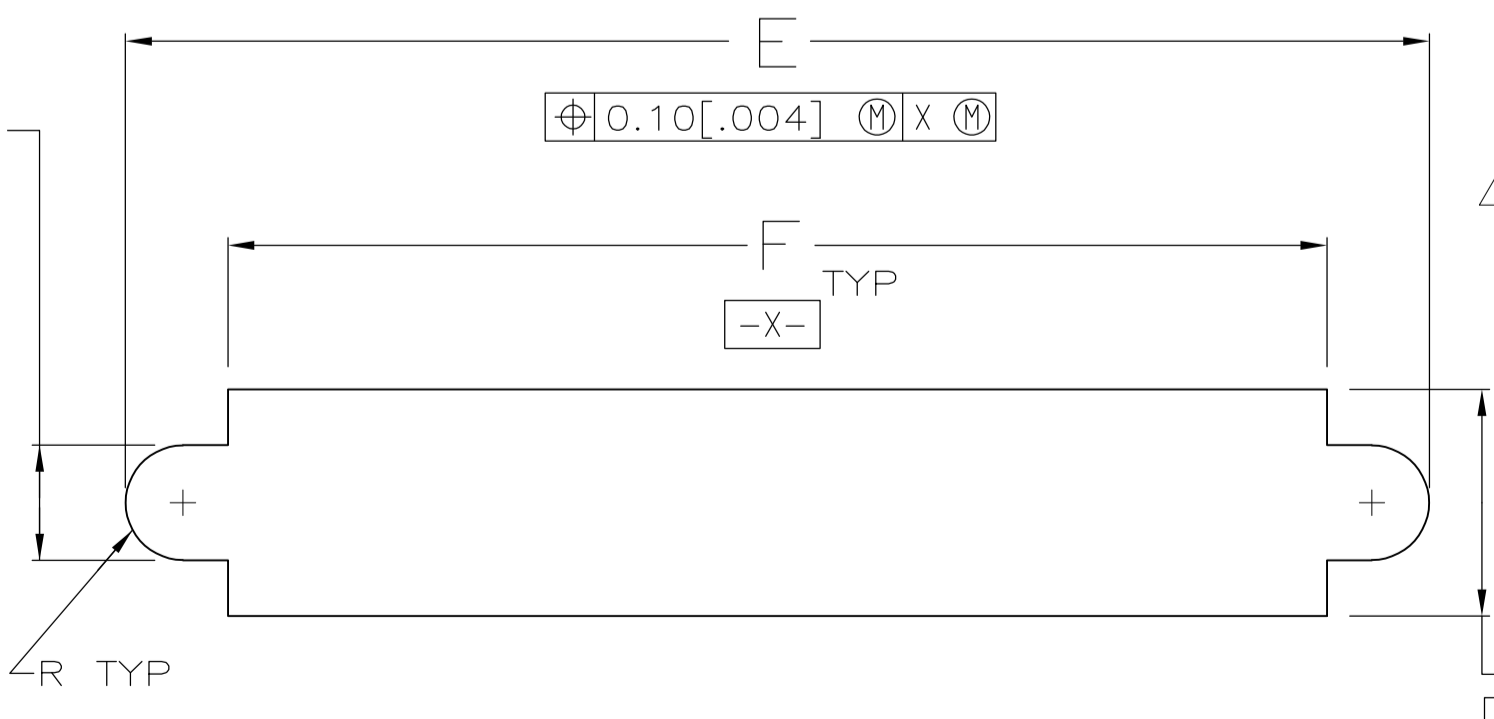
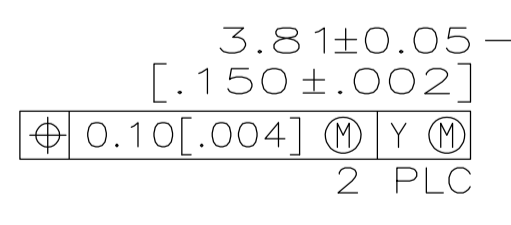


P.C. BOARD MOUNTING DIMENSIONS
 CONNECTOR SIDE
 P.C. BOARD THICKNESS 2.36±0.20 [0.093±0.008]
 PC BOARD PATTERN T

MATERIAL
 CONTACTS: PHOSPHOR BRONZE
 HOUSING & PIN SPACER: UL 94V-0 RATED, THERMOPLASTIC, BLACK
 BRACKET: ZINC
 SHELL: CARBON STEEL
 BOARDLOCKS: COPPER ALLOY.

FINISH
 CONTACTS: EITHER 0.76µm [0.00030] MIN GOLD PLATE FOR A LENGTH OF 0.64 [0.025] MAX, 0.13 [0.005] MIN FROM MATING END OR GOLD FLASH OVER PALLADIUM NICKEL PLATE, 0.76µm [0.00030] MIN TOTAL FOR A LENGTH OF 0.64 [0.025] MAX, 0.13 [0.005] MIN FROM MATING END. 3.81µm [0.000150] MIN TIN-LEAD ON OPPOSITE END FOR A LENGTH OF 3.23 [0.127] MIN, BOTH OVER 1.27µm [0.000050] MIN NICKEL.
 SHELL: 5.08µm [0.000200] MIN NICKEL OVER 1.27µm [0.000050] MIN COPPER.
 BRACKET: 2.54µm [0.000100] MIN NICKEL OVER 5.08µm [0.000200] COPPER.

- ③ 5.08µm [0.000200] MIN TIN-LEAD OVER 1.27µm [0.000050] MIN NICKEL.
- ④ 3.00µm [0.000118] MIN TIN OVER 1.27µm [0.000050] MIN NICKEL.
- ⑤ OBSOLETE PARTS: OBSOLETE CIS STREAMLINING PER D.RENAUD/D.SINISI



RECOMMENDED PANEL CUTOUT

SUP BY	REV	QTY	L	G	F	E	D	B	A	NO OF POSN	PART NUMBER
5787362-9	T	④	78.23 [3.080]	0.64 [0.025]	69.44 [2.734]	82.04 [3.230]	84.20 [3.315]	66.45 [2.616]	78.23 [3.080]	100	1-787362-0
	T	③	78.23 [3.080]	0.64 [0.025]	69.44 [2.734]	82.04 [3.230]	84.20 [3.315]	66.45 [2.616]	78.23 [3.080]	100	787362-9
	T	③	57.91 [2.280]	0.64 [0.025]	49.12 [1.934]	61.72 [2.430]	63.88 [2.515]	46.13 [1.816]	57.91 [2.280]	68	787362-7
	S	③	-	1.27 [0.050]	37.69 [1.484]	50.29 [1.980]	52.45 [2.065]	34.70 [1.366]	46.48 [1.830]	50	787362-5
OBSOLETE	T	③	40.13 [1.580]	0.64 [0.025]	36.78 [1.448]	43.56 [1.715]	46.10 [1.815]	28.35 [1.116]	40.13 [1.580]	40	787362-4

THIS DRAWING IS A CONTROLLED DOCUMENT. TOLERANCES UNLESS OTHERWISE SPECIFIED:

DIMENSIONS: mm (INCHES)	0 PLC ± -	1 PLC ± -	2 PLC ± 0.13 [0.005]	3 PLC ± -	4 PLC ANGLES ± -
-------------------------	-----------	-----------	----------------------	-----------	------------------

MATERIAL: ① FINISH: ②

APPROVED: R. WALTER 12-22-94 NAME: RECEPTACLE ASSEMBLY, SHIELDED, RIGHT ANGLE, TM

SIZE: A1 CASE CODE: 00779 DRAWING NO: 108-1228

WEIGHT: -

CUSTOMER DRAWING SCALE: 4:1 SHEET: 1 OF 1 REV: T1

Tyco Electronics Corporation Harrisburg, PA 17105-3608