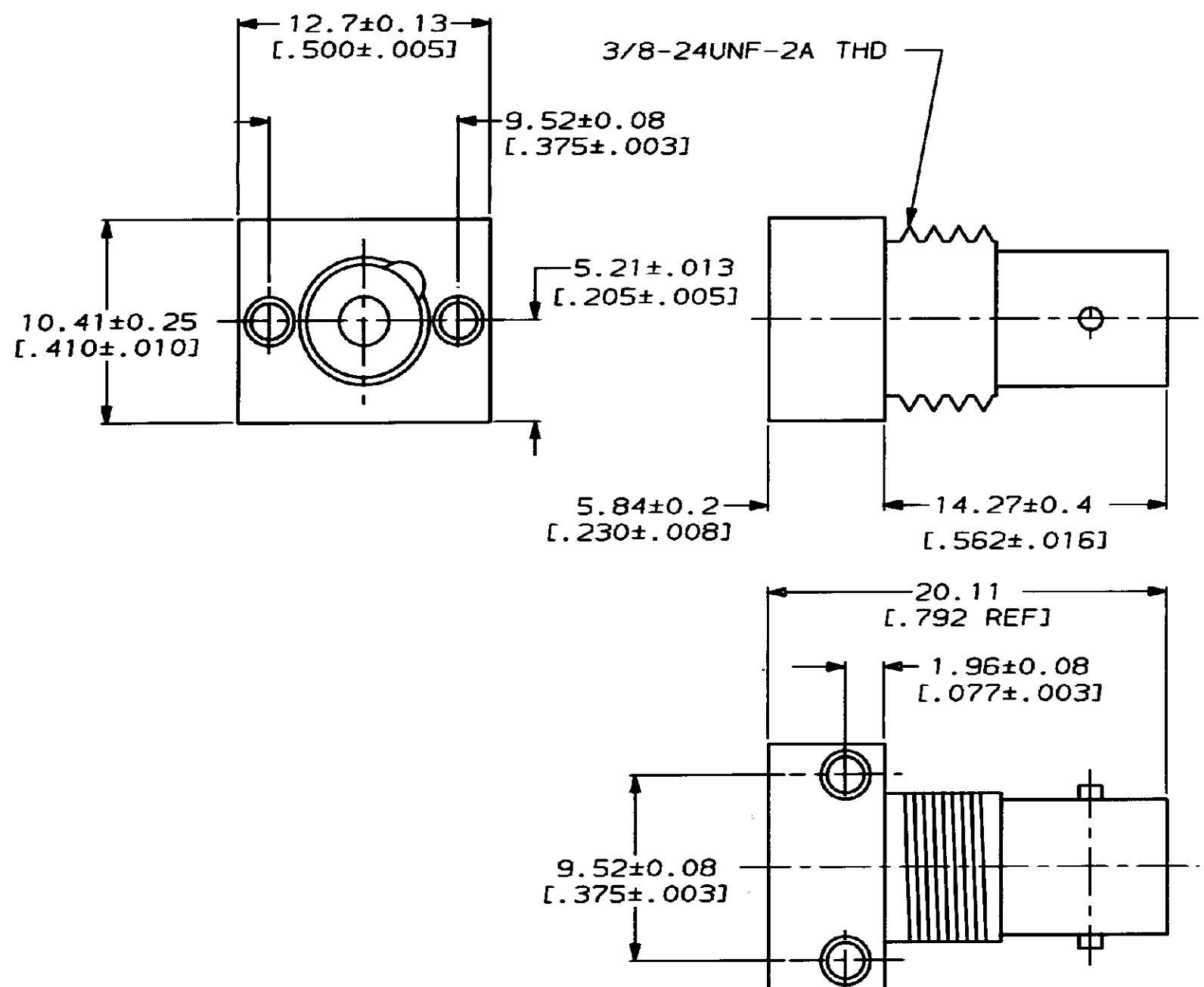


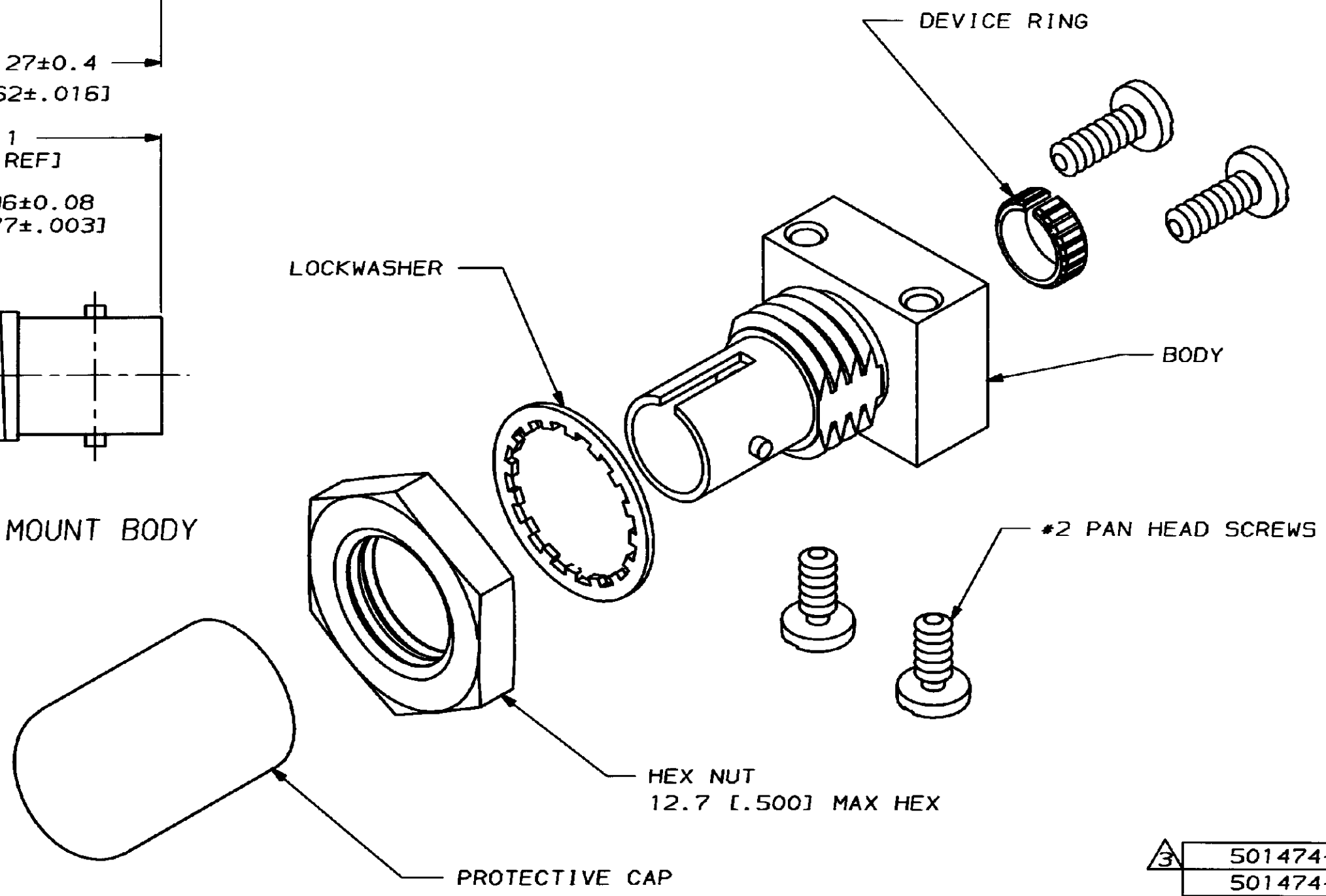
DRAWING MADE IN THIRD ANGLE PROJECTION

THIS DRAWING IS UNPUBLISHED. RELEASED FOR PUBLICATION, 19  
 © COPYRIGHT 19 BY AMP INCORPORATED. ALL INTERNATIONAL RIGHTS RESERVED.

LOC	DIST	REV	ZONE	LTR	DESCRIPTION	DATE	APPD
CE	16						
		A			REDRAWN PER CE-1231	5-5-88	CE/AP
		B			ADDED -2 PER NPR 89-133	7-25-89	RH/MP
		C			REV PER CE-1907	2-28-90	RH/MP



ACTIVE DEVICE MOUNT BODY



1. DIMENSIONS IN [ ] ARE IN INCHES.
  2. ACCEPTS ACTIVE DEVICES, TO-52, TO-18, TO-46, OR LOW COST HONEYWELL SWEETSPOT.
- ▲ BULK PACKAGED.

METRIC

DO NOT SCALE PRINT. UNLESS SPECIFIED DIMENSIONS IN mm TOLERANCES ON: 2 PLC DEC ± 3 PLC DEC ± ANGLES ±	DR C. EISENHOUR 5-5-88 CHK J. ZEIDERS 5-6-88 APPD A. PLOTTS 5-6-88 APPD K. MONROE 5-6-88 PRODUCT SPEC	AMP   AMP INCORPORATED Harrisburg, Pa. 17105	
MATERIAL ADM BODY: ZINC	FINISH ADM BODY: NICKEL	NAME ACTIVE DEVICE MOUNT KIT, 2.5mm BAYONET, OPTIMATE	
APPLICATION SPEC	WEIGHT	SIZE C	FSCM NO 00779
		SCALE 4:1	DRAWING NO 501474
			SHEET 1 OF 1

▲	501474-2
	501474-1
	PART NUMBER

501474