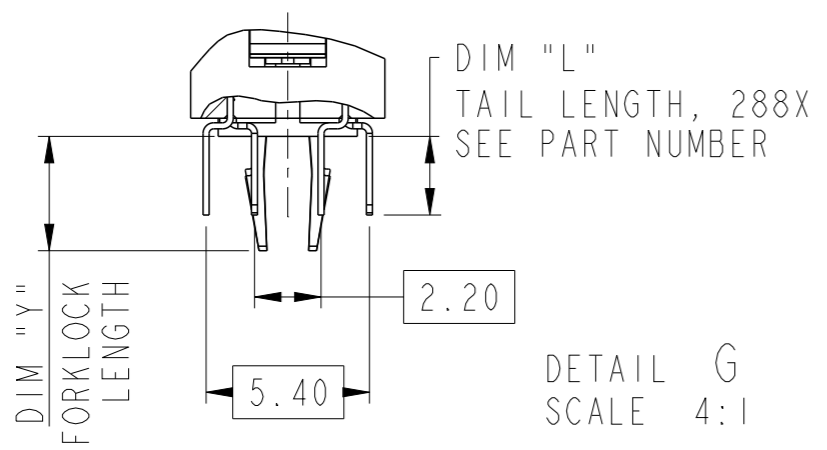
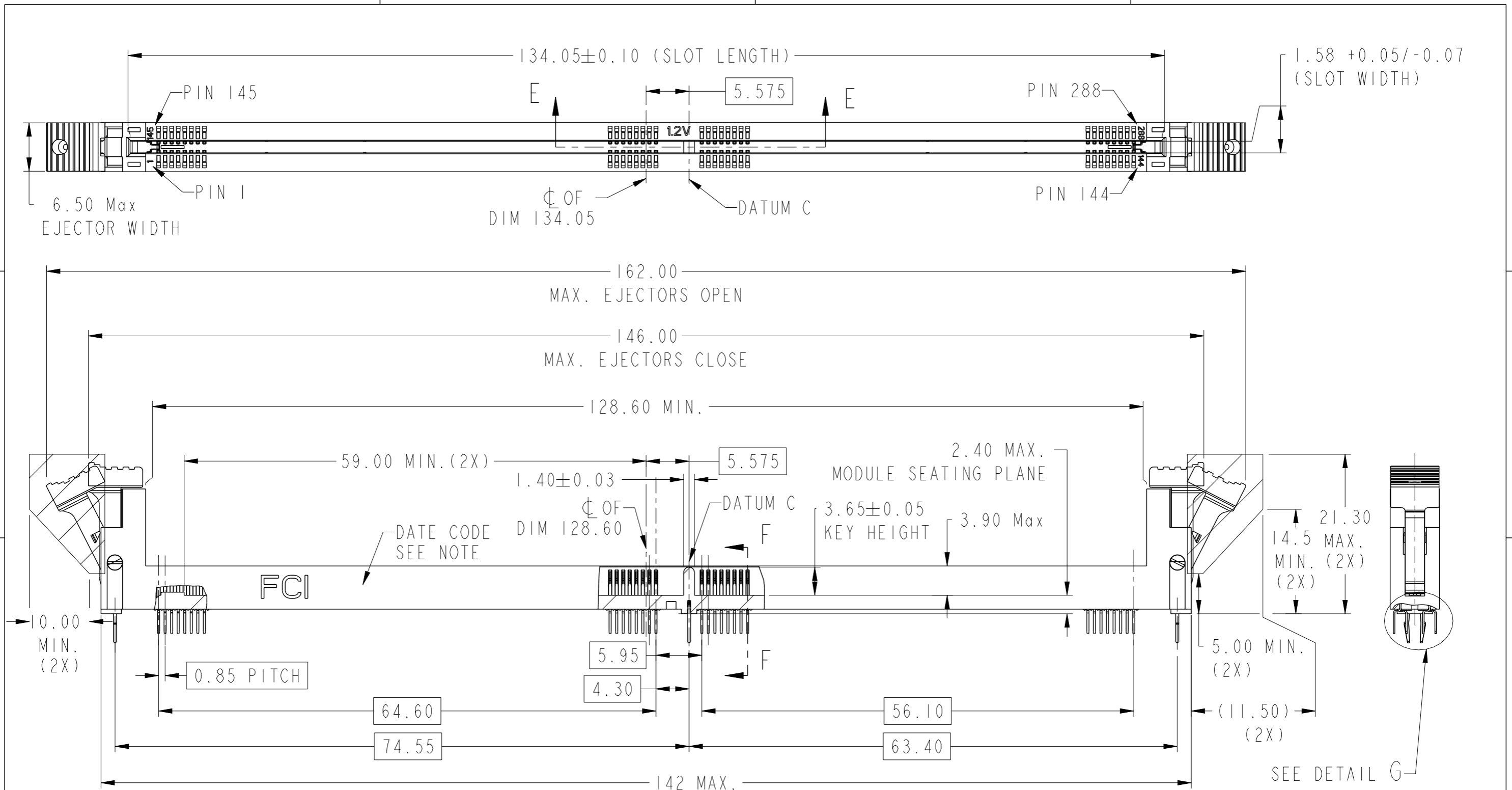


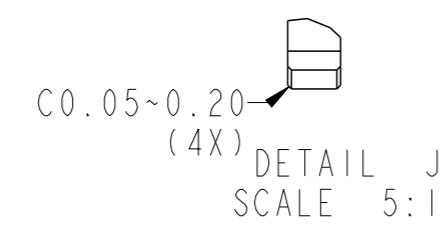
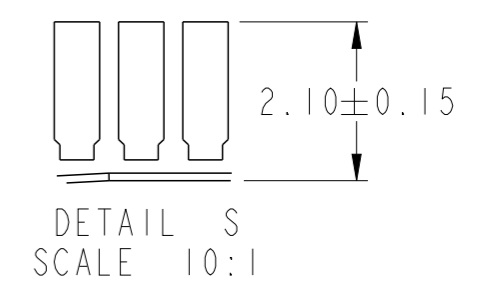
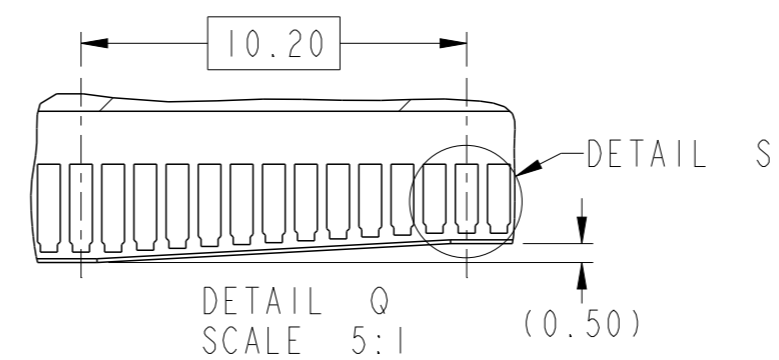
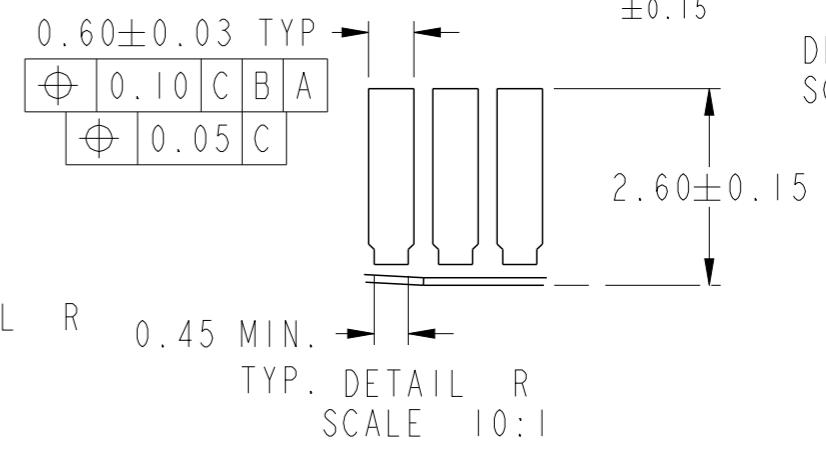
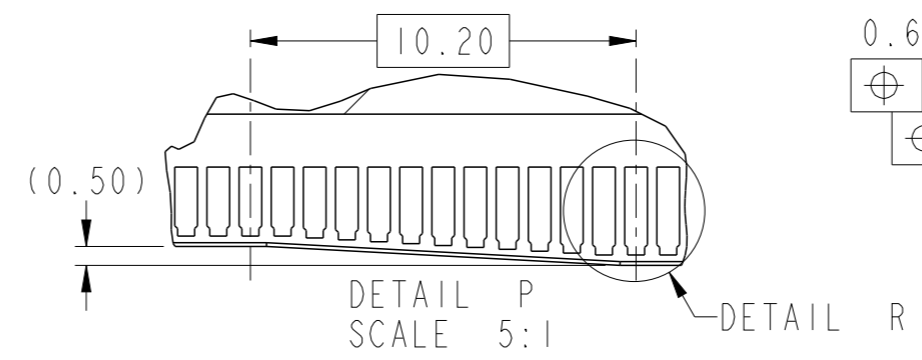
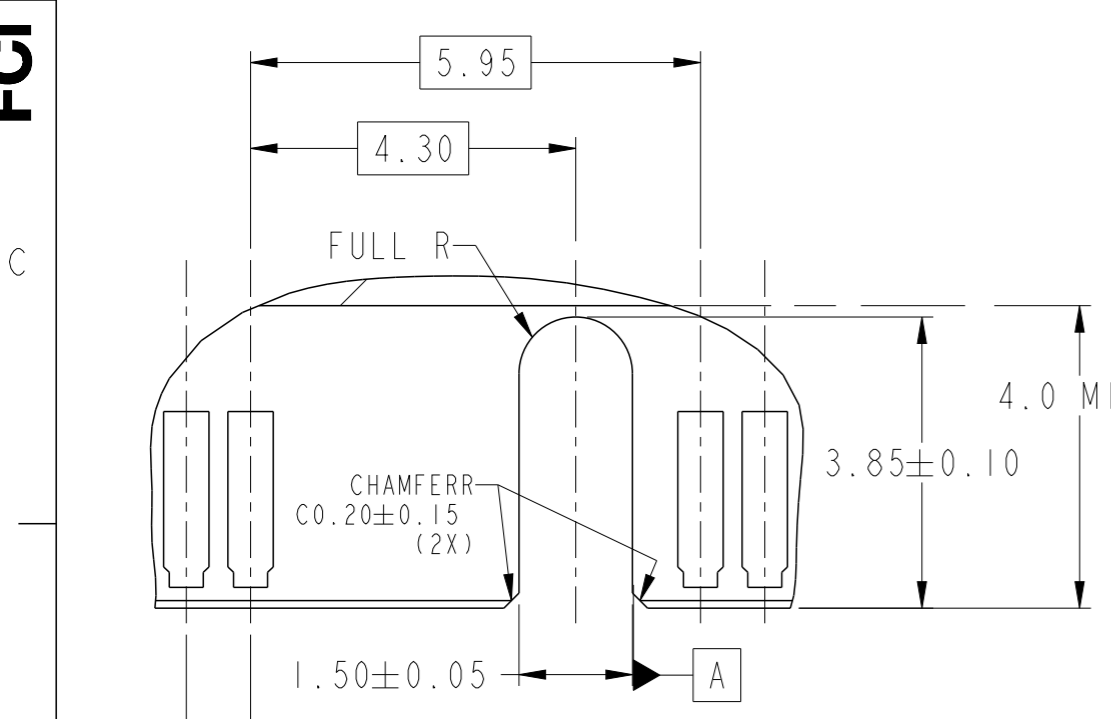
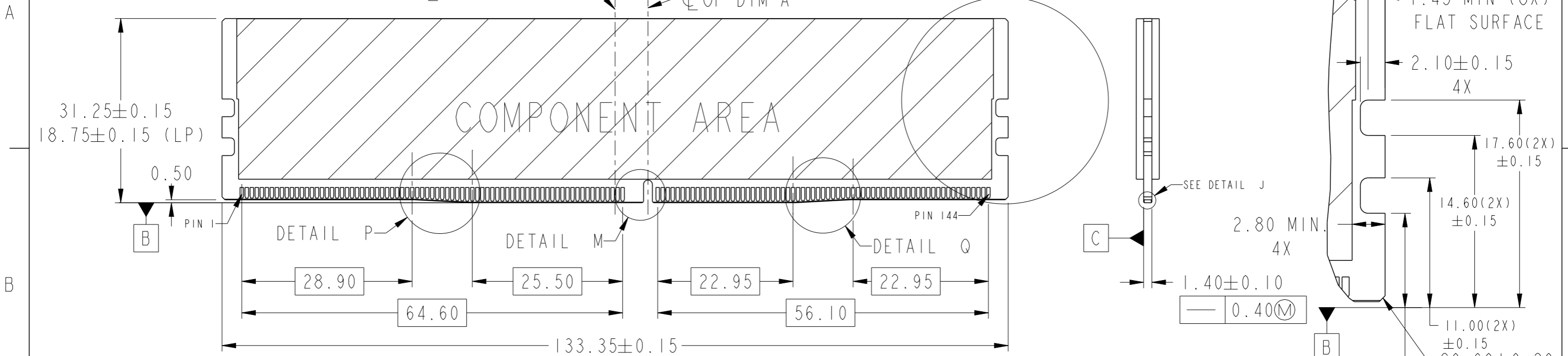
Amphenol  
FCi

© 2016 AFCI



spec ref	dr	Nickor Zuo	2018/11/21	projection	MM	size	A3	scale	7:5
tolerance std	eng	Winston Zhu	2020/05/20			ecn no	ELX-DG-37079-1		
TOLERANCES UNLESS OTHERWISE SPECIFIED		chr	-			rel level	Released		
surface	appr	Nickor Zuo	2020/06/01	product family	-	dwg no	10148733		rev
ASME Y14.5	linear	0.X	±0.30	Amphenol FCI		DDR4 288Pin DIMM CONNECTOR		C	
	angular	0°	±2°	PTH TERMINATION		10148733			
cat. no.				-		Product - Customer Drw		sheet 1 of 5	

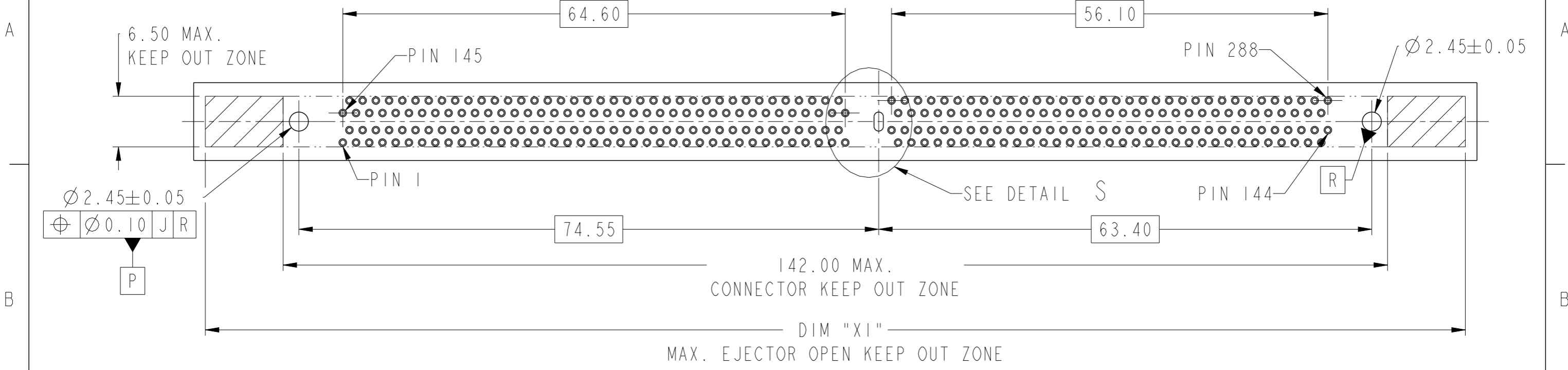
DDR4 MODULE  
 MORE INFORMATION REFER TO JEDEC MO-309



spec ref	dr	Nickor Zuo	2018/11/21	projection	MM	size	A3	scale	3:2
tolerance std	eng	Winston Zhu	2020/05/20			ecn no	ELX-DG-37079-1	rel level	Released
TOLERANCES UNLESS OTHERWISE SPECIFIED		chr	-						
surface	linear	0.X	±0.30	product family		dwg no	10148733	rev	C
		0.XX	±0.20	-					
		0.XXX	±0.10	-		-		-	
ASME Y14.5	angular	0°	±2°	-		-		-	
Amphenol FCI		DDR4 288Pin DIMM CONNECTOR		-		Product - Customer Drw		sheet 2 of 5	
		PTH TERMINATION		-		STATUS:Released		Printed: Jun 01, 2020	
		cat. no.		-					

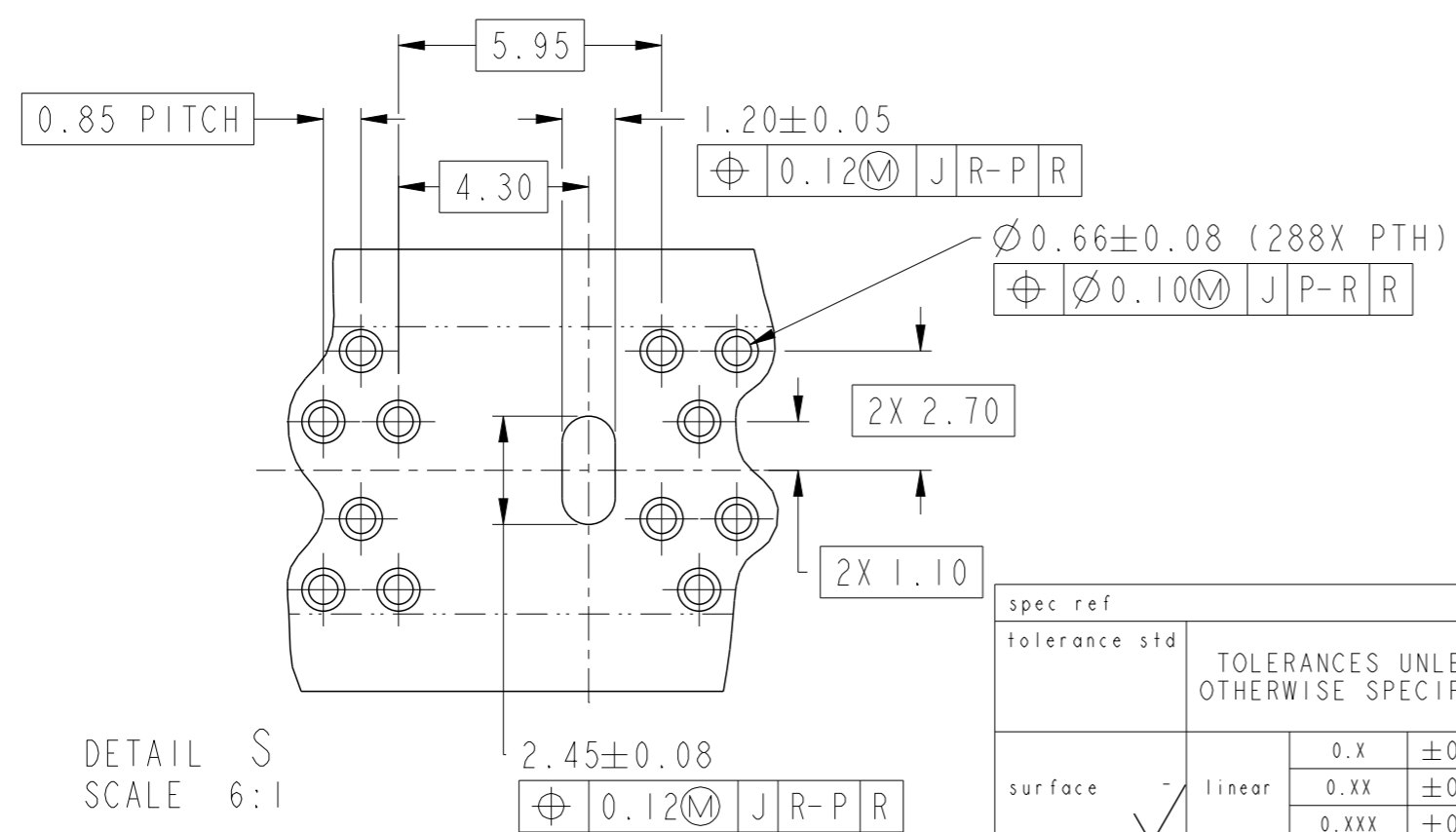
© 2016 AFCI  
 Amphenol FCI

RECOMMENDED PCB LAYOUT  
 MORE INFORMATION REFER TO JEDEC SO-016



Amphenol  
FCi

© 2016 AFCI



DETAIL S  
 SCALE 6:1

spec ref	dr	Nickor Zuo	2018/11/21	projection	MM	size	A3	scale	2:1
tolerance std	eng	Winston Zhu	2020/05/20			ecn no	ELX-DG-37079-1		
TOLERANCES UNLESS OTHERWISE SPECIFIED		chr	-			product family	-	rel level	Released
surface	linear	ASME Y14.5	0.X ±0.30	<b>Amphenol FCI</b>		DDR4 288Pin DIMM CONNECTOR PTH TERMINATION		cat. no. -	Product - Customer Drw
	angular		0° ±2°			dwg no 10148733	rev C		sheet 3 of 5

PRODUCT PART NUMBER

10148733-□□□□□□□□

ADDITIONAL REQUIREMENTS

0: ROHS COMPLIANT

HOLD DOWNS CONFIGURATIONS

0: 3 FORKLOCKS, DIM "Y"=4.00±0.25  
 2: 3 FORKLOCKS, DIM "Y"=3.78±0.25, WITH CAP  
 3: 3 FORKLOCKS, DIM "Y"=3.78±0.25, WITH 123±5mm Mylar

DIM "L", TAIL LENGTH

0: 2.60±0.25  
 1: 3.20±0.25  
 3: 2.40±0.25  
 4: 2.10±0.25

HOUSING COLOR

0: NATURAL  
 1: BLACK

EJECTOR TYPE

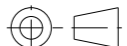
CODE	COLOR	LATCH FIGURE
N	NATURAL	
P	BLACK	
J	NATURAL	
K	BLACK	

CONTACT AREA PLATING

CODE	CONTACT AREA	UNDERPLATING
11LF	15u" MIN.GOLD WITH LUBE	50u" MIN.NICKEL
13LF	30u" MIN.GOLD WITH LUBE	
01LF	15u" MIN.GOLD	
03LF	30u" MIN.GOLD	

NOTES:

- MATERIALS:  
 HOUSING: HIGH PERFORMANCE RESINS, GLASS FILBER FILLED, UL94 V-0 RATED.  
 EJECTOR: HIGH PERFORMANCE RESINS, GLASS FILBER FILLED, UL94 V-0 RATED.  
 TERMINAL: COPPER ALLOY  
 FORKLOCK: COPPER ALLOY
- DATE CODE "MMDDYYL", MMDDYY IS ASSEMBLY DATE, L IS FCI PRODUCTION LINE.
- SPECIFICATION:  
 PRODUCTION SPECIFICATION: FCI GS-12-1092.  
 PACKAGE SPECIFICATION: FCI GS-14-2267.  
 APPLICATION SPECIFICATION: FCI GS-20-0353.
- LEAD FREE PRODUCT MEETS EUROPEAN UNION DIRECTIVES AND OTHER COUNTRY REGULATIONS AS DESCRIBED IN FCI GS-22-008.
- 10148733-0XXXXXXXXX WILL WITHSTAND EXPOSURE TO 260°C PEAK TEMPERATURE FOR 10 SECONDS IN WAVE OR REFLOW SOLDERING APPLICATION.

spec ref		dr	Nickor Zuo	2018/11/21	projection	MM	size	A3	scale	4:1
tolerance std		eng	Winston Zhu	2020/05/20		← →	ecn no		ELX-DG-37079-1	
TOLERANCES UNLESS OTHERWISE SPECIFIED		chr	-	-			rel level		Released	
surface	linear	0.X	±0.30	Amphenol FCI	product family	DDR4 288Pin DIMM CONNECTOR	dwg no	10148733	rev	C
		0.XX	±0.20							
		0.XXX	±0.10							
ASME Y14.5	angular	0°	±2°	cat. no.	Product - Customer Drw	sheet 4 of 5				

PRODUCT PART NUMBER

10148733-□□□□□□□□

ADDITIONAL REQUIREMENTS

1: LOW HALOGEN COMPLIANT

HOLD DOWNS CONFIGURATIONS

2: 3 FORKLOCKS, DIM "Y" = 3.78 ± 0.25

DIM "L", TAIL LENGTH

0: 2.60 ± 0.25  
 1: 3.20 ± 0.25  
 3: 2.40 ± 0.25  
 4: 2.10 ± 0.25

HOUSING COLOR

0: NATURAL  
 1: BLACK  
 3: YELLOW

EJECTOR TYPE

CODE	COLOR	LATCH FIGURE
0	NATURAL	
1	BLACK	

CONTACT AREA PLATING

CODE	CONTACT AREA	UNDERPLATING
11LF	15u" MIN. GOLD WITH LUBE	50u" MIN. NICKEL
13LF	30u" MIN. GOLD WITH LUBE	
01LF	15u" MIN. GOLD	
03LF	30u" MIN. GOLD	

NOTES:

- MATERIALS:  
 HOUSING: HIGH PERFORMANCE RESINS, GLASS FIBER FILLED, UL94 V-0 RATED.  
 EJECTOR: HIGH PERFORMANCE RESINS, GLASS FIBER FILLED, UL94 V-0 RATED.  
 TERMINAL: COPPER ALLOY  
 FORKLOCK: COPPER ALLOY
- DATE CODE "MMDDYYL", MMDDYY IS ASSEMBLY DATE, L IS FCI PRODUCTION LINE.
- SPECIFICATION:  
 PRODUCTION SPECIFICATION: FCI GS-12-1092.  
 PACKAGE SPECIFICATION: FCI GS-14-2267.  
 APPLICATION SPECIFICATION: FCI GS-20-0353.
- LEAD FREE PRODUCT MEETS EUROPEAN UNION DIRECTIVES AND OTHER COUNTRY REGULATIONS AS DESCRIBED IN FCI GS-22-008.
- 10148733-1XXXXXXXXX WILL WITHSTAND EXPOSURE TO 260°C PEAK TEMPERATURE FOR 10 SECONDS IN WAVE SOLDERING APPLICATION.

spec ref		dr	Nickor Zuo	2018/11/21	projection	MM	size	A3	scale	4:1
tolerance std		eng	Winston Zhu	2020/05/20		← →	ecn no		ELX-DG-37079-1	
TOLERANCES UNLESS OTHERWISE SPECIFIED		chr	-	-			rel level		Released	
surface	linear	0.X	±0.30		product family	-	dwg no		10148733	
		0.XX	±0.20				rev	C		
		0.XXX	±0.10							
ASME Y14.5	angular	0°	±2°		cat. no.	-	Product - Customer Drw		sheet 5 of 5	

**Amphenol FCI** DDR4 288Pin DIMM CONNECTOR  
 PTH TERMINATION