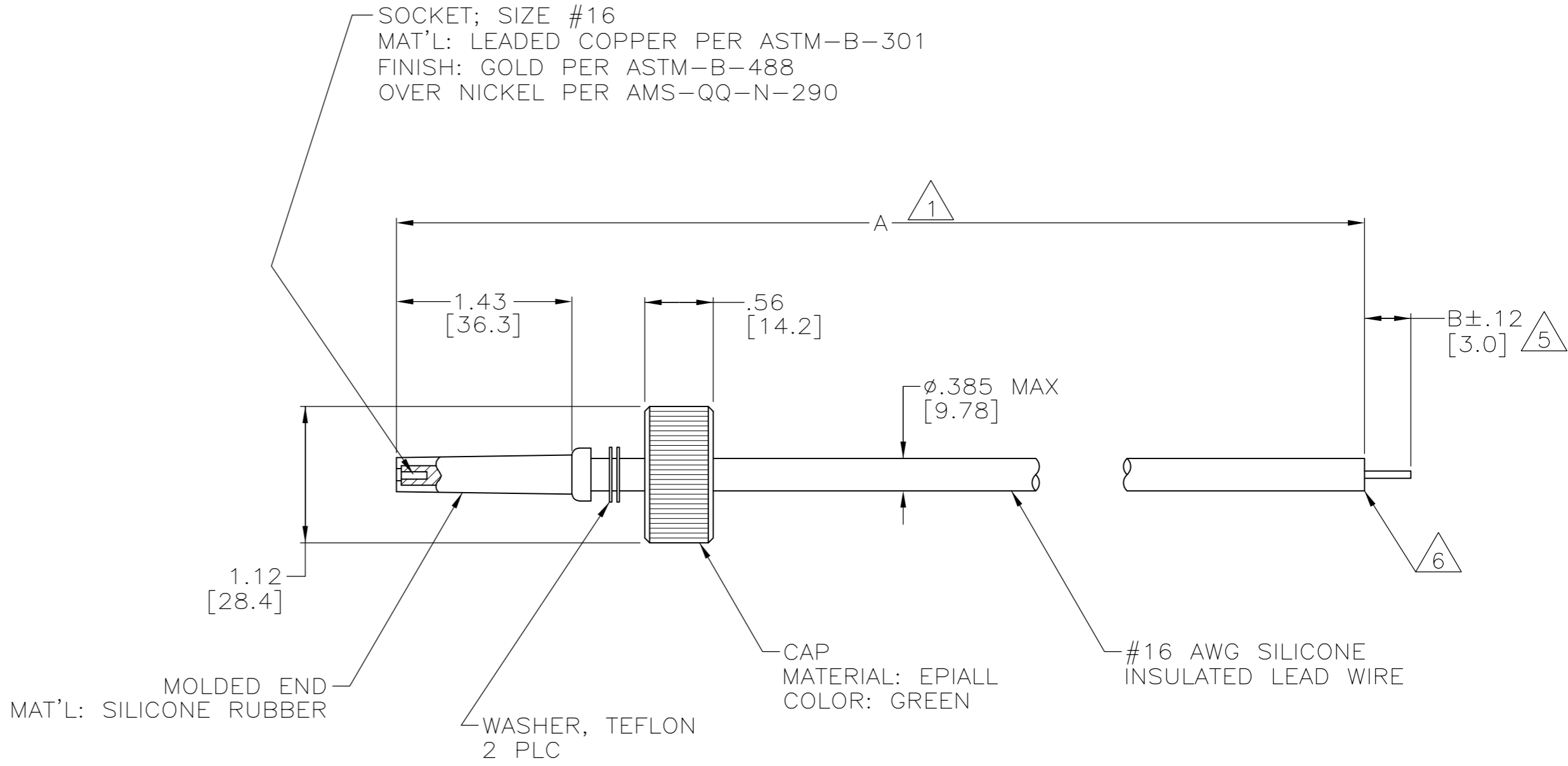


THIS DRAWING IS UNPUBLISHED. RELEASED FOR PUBLICATION - N/A .
 © COPYRIGHT N/A BY TYCO ELECTRONICS CORPORATION. ALL RIGHTS RESERVED.

LOC	DIST	REVISIONS					
DF	S0	P	LTR	DESCRIPTION	DATE	DWN	APVD
		AC		REVISED PER ECO-08-026029	13NOV08	CT	SG

PART NO.	A $\triangle 1$	B	REMARKS
839564-1	12.00 [304.8]	.38 [9.7]	$\triangle 5$
839564-2	24.00 [609.6]	.38 [9.7]	$\triangle 5$
839564-3	4.50 [114.3]	.38 [9.7]	$\triangle 5$
839564-4	6.50 [165.1]	.38 [9.7]	$\triangle 5$
839564-5	18.00 [457.2]	-	OBSOLETE
839564-6	17.00 [431.8]	-	OBSOLETE
839564-7	15.00 [381.0]	.38 [9.7]	$\triangle 5$
839564-8	60.00 [1524.0]	-	
839564-9	120.00 [3048.0]	.38 [9.7]	$\triangle 5$ OBSOLETE
1-839564-0	96.00 [2438.4]	.38 [9.7]	$\triangle 5$ OBSOLETE
1-839564-1	144.00 [3657.6]	.38 [9.7]	$\triangle 5$
1-839564-2	300.00 [7620.0]	.38 [9.7]	$\triangle 5$ OBSOLETE
1-839564-3	48.00 [1219.2]	.38 [9.7]	$\triangle 5$
1-839564-4	72.00 [1828.8]	.38 [9.7]	$\triangle 5$
1-839564-5	1575.00 [40005.0]	.38 [9.7]	$\triangle 5$ OBSOLETE
1-839564-6	420.00 [10668.0]	.38 [9.7]	$\triangle 5$ OBSOLETE
1-839564-7	118.00 [2997.2]	.38 [9.7]	$\triangle 5$
1-839564-8	6.00 [152.4]	.38 [9.7]	$\triangle 5$
1-839564-9	36.00 [914.4]	.38 [9.7]	$\triangle 5$
2-839564-0	240.00 [6096.0]	.38 [9.7]	$\triangle 5$
2-839564-1	394.00 [10007.6]	.38 [9.7]	$\triangle 5$
2-839564-2	984.00 [24993.6]	.38 [9.7]	$\triangle 5$ OBSOLETE
2-839564-3	19.00 [482.6]	.38 [9.7]	$\triangle 5$ OBSOLETE
2-839564-4	10.00 [254.0]	.38 [9.7]	$\triangle 5$ OBSOLETE
2-839564-5	108.00 [2743.2]	.38 [9.7]	$\triangle 5$ OBSOLETE
2-839564-6	78.75 [2000.2]	.38 [9.7]	$\triangle 5$
2-839564-7	35.00 [889.0]	.38 [9.7]	$\triangle 5$ OBSOLETE
2-839564-8	30.00 [762.0]	.38 [9.7]	$\triangle 5$ OBSOLETE
2-839564-9	18.00 [457.2]	.38 [9.7]	$\triangle 5$
3-839564-0	88.12 [2238.2]	.38 [9.7]	$\triangle 5$
3-839564-1	40.00 [1016.0]	.38 [9.7]	$\triangle 5$
3-839564-2	600.00 [15240.0]	.38 [9.7]	$\triangle 5$ OBSOLETE
3-839564-3	157.50 [4000.5]	.38 [9.7]	$\triangle 5$
3-839564-4	196.88 [5000.8]	.38 [9.7]	$\triangle 5$
3-839564-5	37.40 [950.0]	.38 [9.7]	$\triangle 5$ OBSOLETE
3-839564-6	16.00 [406.4]	.38 [9.7]	$\triangle 5$
3-839564-7	20.00 [508.0]	.38 [9.7]	$\triangle 5$
5-839564-1	12.00 [304.8]	.38 [9.7]	$\triangle 6$
5-839564-2	24.00 [609.6]	.38 [9.7]	$\triangle 6$
5-839564-7	15.00 [381.0]	.38 [9.7]	$\triangle 6$
6-839564-3	48.00 [1219.2]	.38 [9.7]	$\triangle 6$
6-839564-7	118.00 [2997.2]	.38 [9.7]	$\triangle 6$
6-839564-9	36.00 [914.4]	.38 [9.7]	$\triangle 6$
7-839564-0	240.00 [6096.0]	.38 [9.7]	$\triangle 6$
7-839564-1	394.00 [10007.6]	.38 [9.7]	$\triangle 6$
7-839564-6	78.75 [2000.2]	.38 [9.7]	$\triangle 6$
8-839564-0	88.12 [2238.2]	.38 [9.7]	$\triangle 6$
8-839564-1	40.00 [1016.0]	.38 [9.7]	$\triangle 6$
8-839564-3	157.50 [4000.5]	.38 [9.7]	$\triangle 6$
8-839564-4	196.88 [5000.8]	.38 [9.7]	$\triangle 6$

- $\triangle 1$ TOLERANCE OF LEAD LENGTH:
UP TO 24 INCHES [609.6] = ± 1.2 [3.0]
24 INCHES [609.6] & UP = $\pm 1\%$
- 2 MARKED PER MIL-STD-130.
- 3 TO MATE WITH AMP LGH-2
RECEPTACLE WITH 1.43 [36.3] BARREL DEPTH.
- 4 OPERATING VOLTAGE: 30 KVDC AT 0 TO 70,000 FEET,
-55°C TO +125°C.
- $\triangle 5$ PIGTAIL IS SOLDER DIPPED.
- $\triangle 6$ INSULATION CUT, BUT NOT REMOVED.



THIS DRAWING IS A CONTROLLED DOCUMENT.		DWN C.C.THOMAS 15-FEB-93	Tyco Electronics Corporation Harrisburg, PA 17105-3608
DIMENSIONS: INCHES [mm]		CHK S.GLATFELTER 16-FEB-93	
TOLERANCES UNLESS OTHERWISE SPECIFIED:		APVD S.GLATFELTER 16-FEB-93	NAME LEAD ASSY SINGLE END LGH-2
0 PLC ± - 1 PLC ± - 2 PLC ± .02 [0.5] 3 PLC ± .005 [0.13] 4 PLC ± - ANGLES ± - FINISH SEE CALLOUTS		PRODUCT SPEC APPLICATION SPEC	RESTRICTED TO
MATERIAL SEE CALLOUTS		WEIGHT -	SIZE A2
		CUSTOMER DRAWING	CAGE CODE 00779
		SCALE 1:1	DRAWING NO 839564
		SHEET 1 of 1	REV AC