

ZART12DM

Harmony eXLhoist, standard, Remote control, display, 6 motion push buttons, 6 auxiliary push buttons, MBC (tandem)



Main

Range of Product	Harmony eXLhoist
Product or Component Type	Hand-held remote control
Device short name	ZART
Control Button Type	6 configurable motion push-button 6 configurable auxiliary push-button

Complementary

Device application	Master in multiple bridge control (tandem) Slave in multiple bridge control (tandem) Master and slave in multiple bridge control (tandem)
Material	Enclosure PC (polycarbonate) Enclosure PBT (polybutylene terephthalate) Cover PP (polypropylene) Protective cover EPDM rubber
Function Available	Accelerometer function Vibrator function
Display type	LCD display 34 x 42 mm
Operating Distance	50 m
Mechanical robustness	Free fall resistance 4.5 m IEC 60068-2-27
Communication network type	Wireless bluetooth low energy
Transmission frequency	2.4 GHz
Maximum sensing distance	328.08 ft (100 m) in free field
Response time	< 300 ms full duplex
Charging time	900 s
Autonomy	30 h
Mechanical durability	5000000 cycles
Service Life	5 year(s)
Width	3.94 in (100 mm)
Height	13.39 in (340 mm)
Depth	3.54 in (90 mm)
Net Weight	1.43 lb(US) (0.65 kg)

Environment

Radio agreement	ANATEL ICASA RSS FCC ARIB SRRC
IP degree of protection	IP65
NEMA degree of protection	NEMA 4
Ambient Air Temperature for Operation	-4...140 °F (-20...60 °C)
Ambient Air Temperature for Storage	-4...113 °F (-20...45 °C)

Operating altitude	0...6561.68 ft (0...2000 m)
Storage altitude	0.00...9842.52 ft (0...3000 m)
Vibration resistance	0.075 mm 10...55 Hz)IEC 60068-2-6
Shock resistance	100 gn IEC 60068-2-27
Relative humidity	0...95 % -4...140 °F (-20...60 °C) operating
Product Certifications	JIS CE CSA UL C-tick KC EAC

Ordering and shipping details

Category	22479-EXL HOIST WIRELESS PENDANT & ACC
Discount Schedule	CS2
GTIN	3606481138286
Nbr. of units in pkg.	1
Package weight(Lbs)	25.82 oz (732.0 g)
Returnability	No

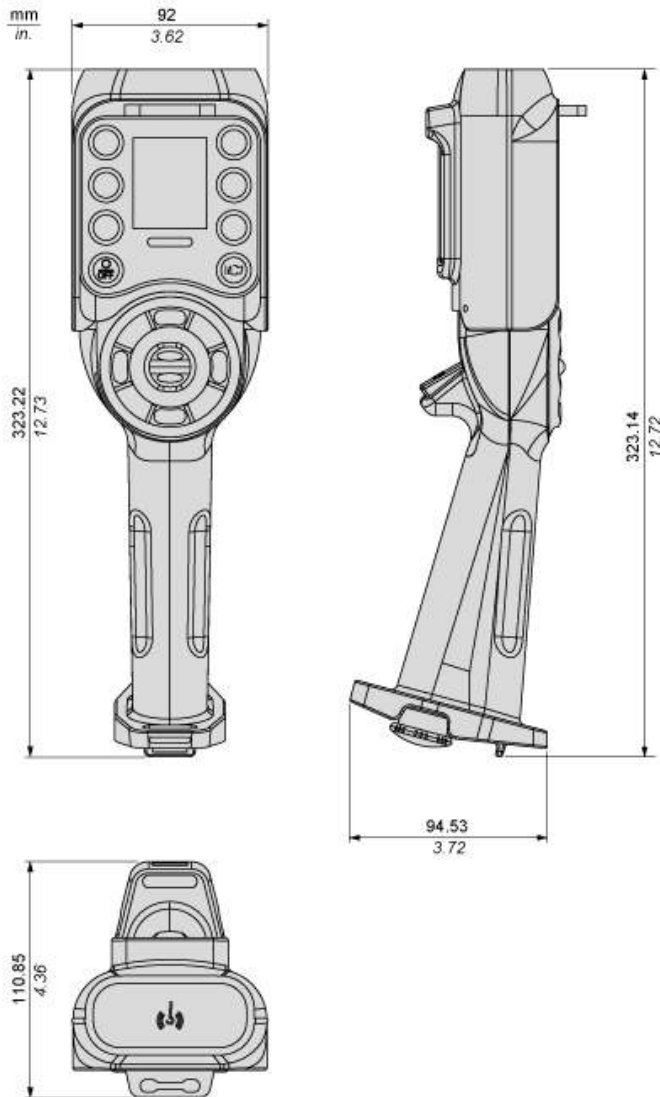
Packing Units

Unit Type of Package 1	PCE
Package 1 Height	4.21 in (10.7 cm)
Package 1 width	4.02 in (10.2 cm)
Package 1 Length	13.27 in (33.7 cm)
Unit Type of Package 2	CAR
Number of Units in Package 2	1
Package 2 Weight	3.73 lb(US) (1.693 kg)
Package 2 Height	4.02 in (10.2 cm)
Package 2 width	11.42 in (29 cm)
Package 2 Length	11.89 in (30.2 cm)
Unit Type of Package 3	S04
Number of Units in Package 3	4
Package 3 Weight	17.69 lb(US) (8.024 kg)
Package 3 Height	11.81 in (30 cm)
Package 3 width	15.75 in (40 cm)
Package 3 Length	23.62 in (60 cm)

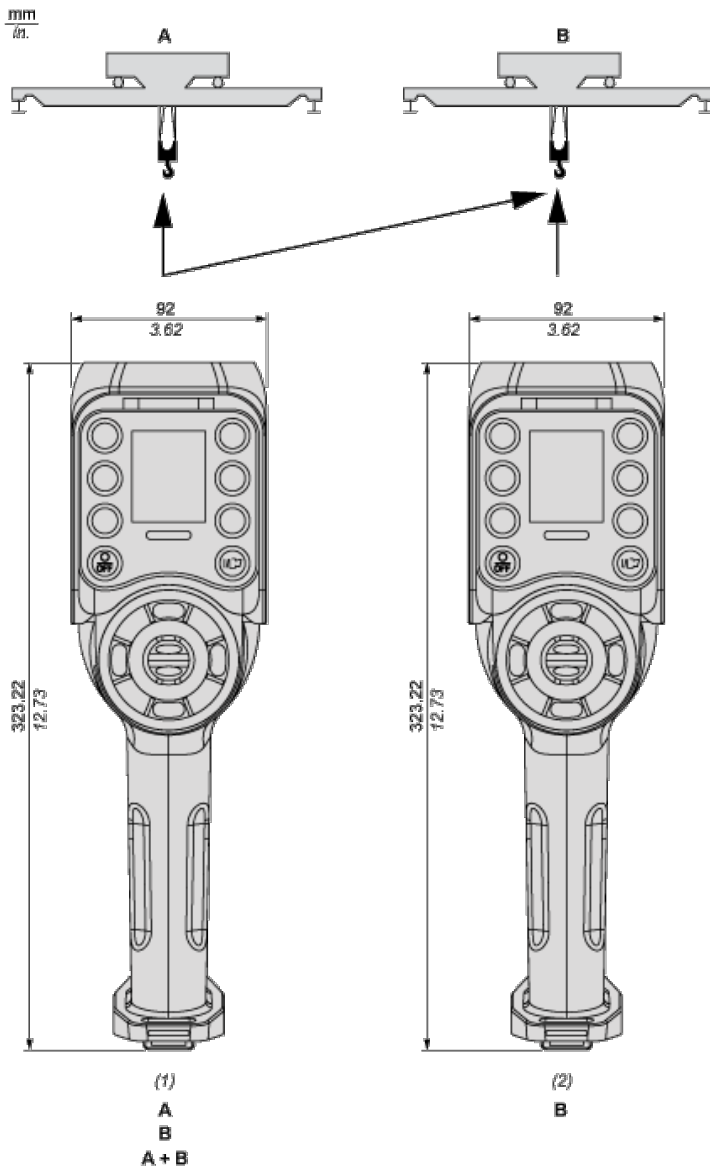
Offer Sustainability

California proposition 65	WARNING: This product can expose you to chemicals including: Nickel compounds, which is known to the State of California to cause cancer, and Di-isodecyl phthalate (DIDP), which is known to the State of California to cause birth defects or other reproductive harm. For more information go to www.P65Warnings.ca.gov
EU RoHS Directive	Pro-active compliance (Product out of EU RoHS legal scope)  EU RoHS Declaration
Mercury free	Yes
RoHS exemption information	 Yes
China RoHS Regulation	 China RoHS Declaration
WEEE	The product must be disposed on European Union markets following specific waste collection and never end up in rubbish bins.

Dimensions



Multiple Bridge Control



- A : Bridge 1
- B : Bridge 2
- (1) Master
- (2) Slave