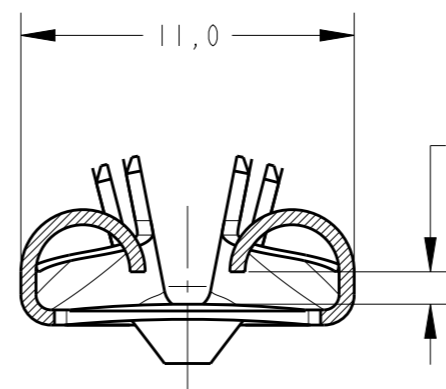
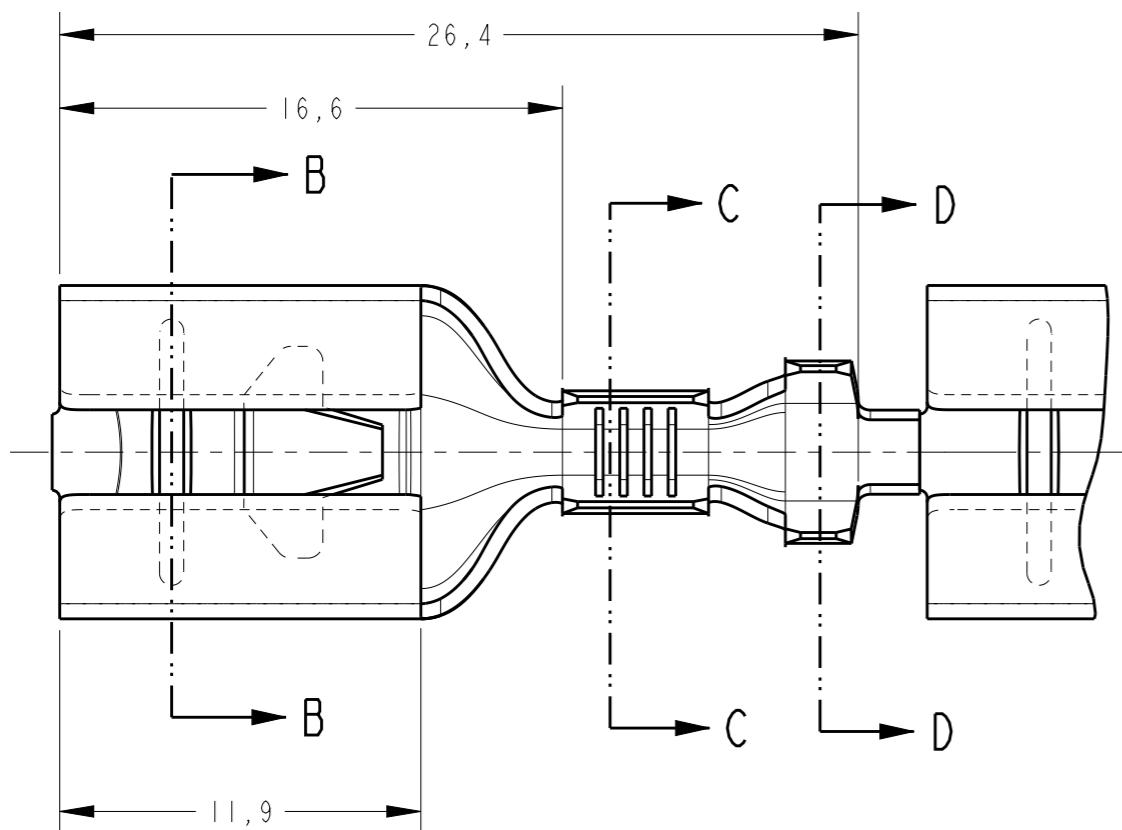


creo
Creo Parametric 2.0
**DO NOT REVISE
EXCEPT BY CAD**

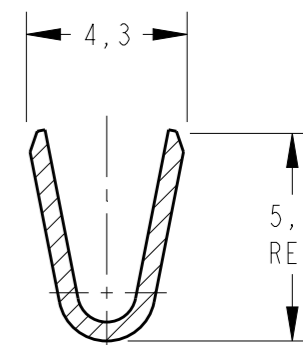
REVISIONS

P	LTR	DESCRIPTION	DATE	DWN	APVD
	C	REDRAW BY CAD ECO-14-008817	16JUN2014	NCL	LWP
	CI	REVISED BY ECO 16-003723	29JUN2016	HC	WLS

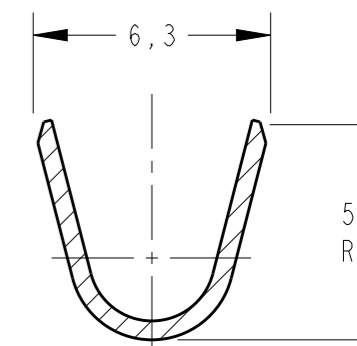


SECTION B-B
SCALE 4:1

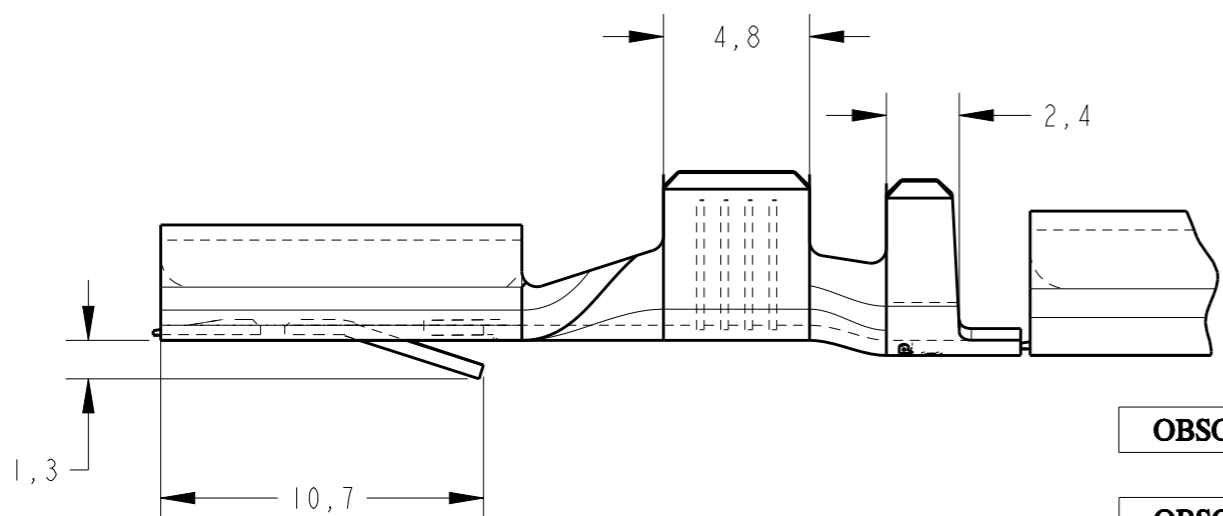
PARA LINGUETA
1,2 ESP. x 9,5 LARG.
FOR TAB 1,2 THK x 9,5 WIDTH



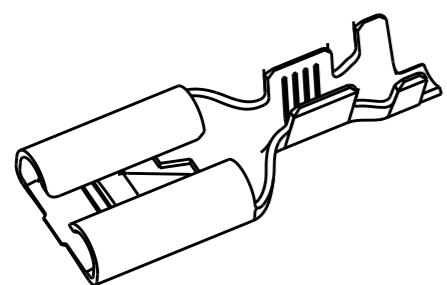
SECTION C-C
SCALE 5:1



SECTION D-D
SCALE 5:1




	FINISH	MATERIAL	PART NUMBER
OBSOLETE	ESTANHADO / TIN PLATED	BRONZE FOSF. / PHOP. BRONZE	880003 -4
		BRONZE FOSF. / PHOP. BRONZE	880003 -3
OBSOLETE	ESTANHADO / TIN PLATED	LATÃO / BRASS	880003 -2
		LATÃO / BRASS	880003 -1



PERSPECTIVE VIEW
SCALE 2:1

WIRE RANGE
2,5-4,0mm²
INS. DIA. RANGE
Ø 3,3-4,5mm

THIS DRAWING IS A CONTROLLED DOCUMENT.

DIMENSIONS: mm	TOLERANCES UNLESS OTHERWISE SPECIFIED: 0 PLC ± 1 PLC ±0,3 2 PLC ± 3 PLC ± 4 PLC ± ANGLES ±1°	DWN 25FEB2014 NCLAPRESA CHK 25FEB2014 JRGOLDSCHMIDT APVD 25FEB2014 DAOLIVEIRA	 TE Connectivity		
MATERIAL SEE TABLE	FINISH SEE TABLE	PRODUCT SPEC 108-37015	NAME - FASTIN-ON .375 RECEPTACLE		
		APPLICATION SPEC -	SIZE A3	CAGE CODE -	DRAWING NO C-880003
		WEIGHT -	RESTRICTED TO -		
CUSTOMER DRAWING		SCALE 4:1	SHEET 1	OF 1	REV CI