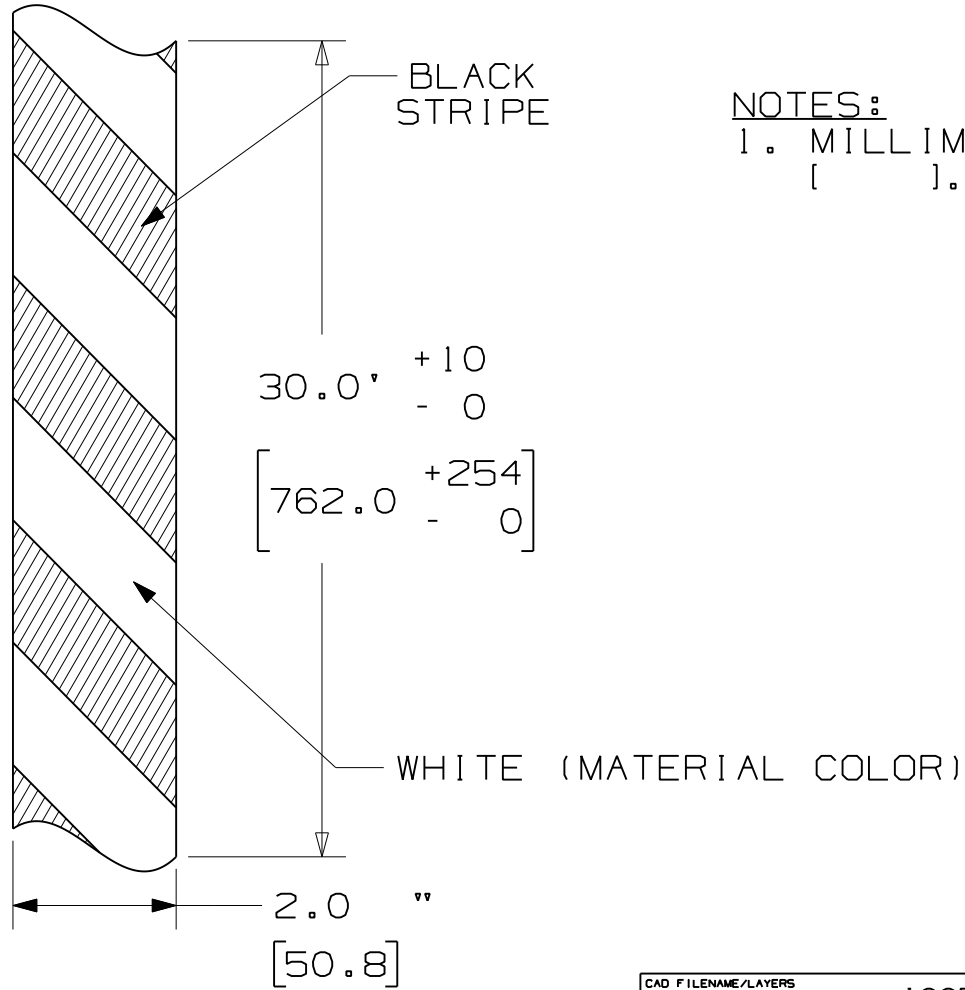


THIS COPY IS PROVIDED ON A RESTRICTED BASIS AND IS NOT TO BE USED IN ANY WAY DETRIMENTAL TO THE INTERESTS OF PANDUIT CORP.



NOTES:
1. MILLIMETERS ARE IN [].

CAD FILENAME/LAYERS 100569AG-DC-C10941/01A

PANDUIT CORP. TINLEY PARK, ILLINOIS

CUSTOMER DRAWING PHOTOLUMINESCENT
BLACK & WHITE HAZARD TAPE
PT2S-BLK 2.0" X 30.0"

UNLESS OTHERWISE SPECIFIED,
DIMENSIONAL TOLERANCES ARE:
(.X) ± .062 (XXX) ± .025
(.XX) ± .031 ANGLES ±

UNLESS OTHERWISE SPECIFIED,
ALL DIMENSIONS ARE GIVEN
IN INCHES, THIRD ANGLE PROJECTION.

DRAWN BY
RVU

MAT'L:

SCALE NTS

DATE
9/15/11

PS PHOTOLUMINSCENT
GMY-GLOW

DRAWING NO.

C10941

DWG
A
SIZE

REV	DATE	BY	CHK'D	DESCRIPTION	ECN	R	CUST	SUP
0	9/15/11	RVU		DRAWING RELEASE.	6514	R		

CHK'D *[Signature]*