

1393364-1 ✓ ACTIVE

AMP | [Get .64 Connector System](#)

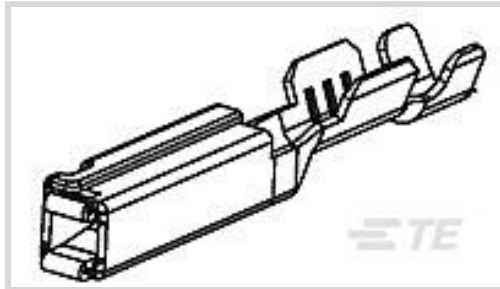
TE Internal #: 1393364-1

Automotive Terminals, Receptacle, Mating Tab Width 1 mm [.039 in], Tab Thickness .64 mm [.025 in], 24 – 22 AWG Wire Size, Get .64 Connector System

[View on TE.com >](#)



Terminals & Splices > Automotive Terminals > GET .64 CONNECTOR SYSTEM, RECEPT AND TAB



Terminal Type: **Receptacle**

Mating Tab Width: 1 mm [.039 in]

Mating Tab Thickness: .64 mm [.025 in]

Terminal Transmits: 0 – 24 A (Low Power)

Wire Size: 24 – 22 AWG

[All GET .64 CONNECTOR SYSTEM, RECEPT AND TAB \(29\)](#)

Features

Product Type Features

Receptacle Style	180°
Sealable	No
Primary Locking Feature	Clean Body

Contact Features

Contact Size	.64mm
Contact Fabrication	Stamped & Formed
Wire Contact Termination Area Plating Material	Tin
Typical Current Rating	9 A
Crimp Type	F-Crimp
Terminal Type	Receptacle
Mating Tab Width	1 mm [.039 in]
Mating Tab Thickness	.64 mm [.025 in]
Interface Plating	Gold (Au)

Termination Features

Termination Method to Wire & Cable	Crimp
Product Terminates To	Wire

Dimensions



Compatible Insulation Diameter Range	1.2 – 1.4 mm [.043 – .065 in]
Wire Size	.22 – .35 mm ²
Wire Size Search	22 AWG, 23 AWG, 24 AWG

Usage Conditions

Insulation Option	Uninsulated
Operating Temperature (Max)	80 °C, 85 °C, 90 °C, 100 °C, 105 °C, 110 °C, 120 °C, 125 °C, 130 °C, 140 °C, 145 °C, 150 °C [176 °F][185 °F][194 °F][212 °F][221 °F][230 °F][248 °F][257 °F][266 °F][284 °F][293 °F][302 °F]
Operating Temperature Range	-40 – 150 °C [-40 – 302 °F]

Operation/Application

Compatible With Wire Base Material	Copper
------------------------------------	--------

Packaging Features

Packaging Quantity	10000
Packaging Method	Reel

Other

Terminal Transmits	0 – 24 A (Low Power)
--------------------	----------------------

Product Compliance

[For compliance documentation, visit the product page on TE.com>](#)

EU RoHS Directive 2011/65/EU	Compliant
EU ELV Directive 2000/53/EC	Compliant
China RoHS 2 Directive MIIT Order No 32, 2016	No Restricted Materials Above Threshold
EU REACH Regulation (EC) No. 1907/2006	Current ECHA Candidate List: JUNE 2023 (235) Candidate List Declared Against: JUNE 2023 (235) Does not contain REACH SVHC
Halogen Content	Low Halogen - Br, Cl, F, I < 900 ppm per homogenous material. Also BFR/CFR/PVC Free
Solder Process Capability	Not applicable for solder process capability

Product Compliance Disclaimer

This information is provided based on reasonable inquiry of our suppliers and represents our current actual knowledge based on the information they provided. This information is subject to change. The part numbers that TE has identified as



EU RoHS compliant have a maximum concentration of 0.1% by weight in homogenous materials for lead, hexavalent chromium, mercury, PBB, PBDE, DBP, BBP, DEHP, DIBP, and 0.01% for cadmium, or qualify for an exemption to these limits as defined in the Annexes of Directive 2011/65/EU (RoHS2). Finished electrical and electronic equipment products will be CE marked as required by Directive 2011/65/EU. Components may not be CE marked. Additionally, the part numbers that TE has identified as EU ELV compliant have a maximum concentration of 0.1% by weight in homogenous materials for lead, hexavalent chromium, and mercury, and 0.01% for cadmium, or qualify for an exemption to these limits as defined in the Annexes of Directive 2000/53/EC (ELV). Regarding the REACH Regulation, the information TE provides on SVHC in articles for this part number is based on the latest European Chemicals Agency (ECHA) 'Guidance on requirements for substances in articles' posted at this URL: <https://echa.europa.eu/guidance-documents/guidance-on-reach>

Compatible Parts



TE Part # CAT-G3353-CH8172
GET .64 CONNECTOR SYSTEM,
CONNECTOR HSG



TE Part # 2305570-1
Strip Terminal Cutter-Side Feed-No
Crimp



TE Part # 3-1419158-1
GET MALE TERM, A, AU



TE Part # 2278398-1
3WAY GET 0.64 SEAL PLUG



TE Part # 2151540-1
OCEAN_2.0_APPLICATOR-S-
055F0700



TE Part # 1411001-6
SEALED HARN ASSY W CPA KEY B
EXIT



TE Part # 1924943-1
PLUG ASSY, 96P GPEC II KEY E RIGHT
EXIT



TE Part # 2203663-6
2X9 SEALED PLUG ASSY KEY B
EXIT



TE Part # 1924939-1
PLUG ASSY, 96P GPEC II KEY A RIGHT
EXIT



TE Part # 1924639-2
1X8 FEMALE ASSY KEY D, LP LATC
EXIT



TE Part # 1924941-1
PLUG ASSY, 96P GPEC II KEY C RIGHT
EXIT



TE Part # 1452842-3
22 POS FEMALE HSG ASSY
EXIT



TE Part # 1411001-7
2x4 SEALED HARN ASSY W/O CPA



TE Part # 1924944-1
PLUG ASSY, 96P GPEC II KEY E LEFT
EXIT



TE Part # 2-2151540-1
OCEAN_2.0_APPLICATOR-S-
055F0700



TE Part # 2-2151540-2
OCEAN_2.0_APPLICATOR-S-
055F0700



TE Part # 2098866-1
PLUG ASSY, 96P GPECIII KEY H L



TE Part # 2151540-2
OCEAN_2.0_APPLICATOR-S-055F0700

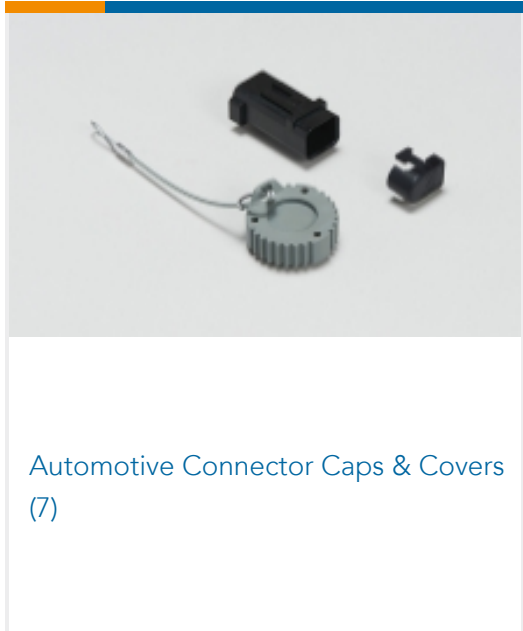


TE Part # 2272431-4
1X6 GET UNSLDR SIDE LATCH PLUG, KEY D

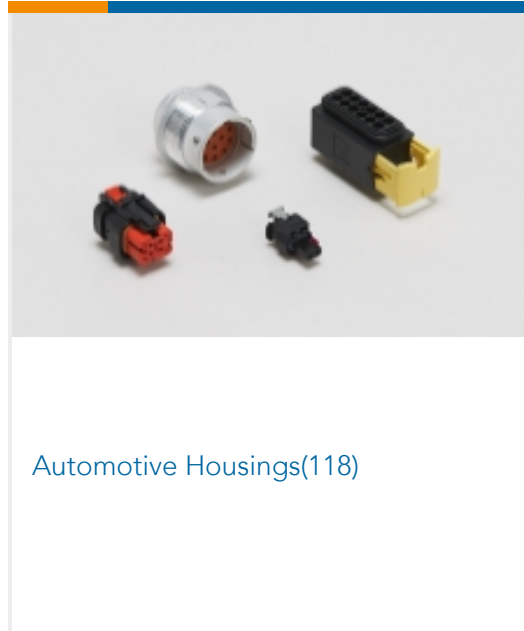


TE Part # 2382775-2
SDE F GET PIN/SCKT 0.35-0.22mm2 DIE SET

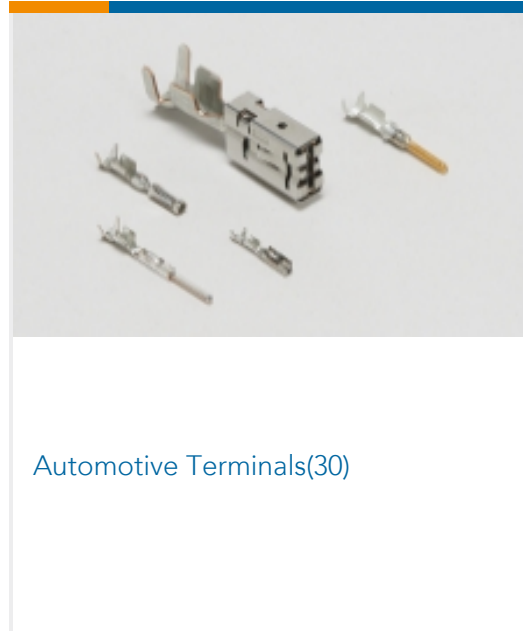
Also in the Series | Get .64 Connector System



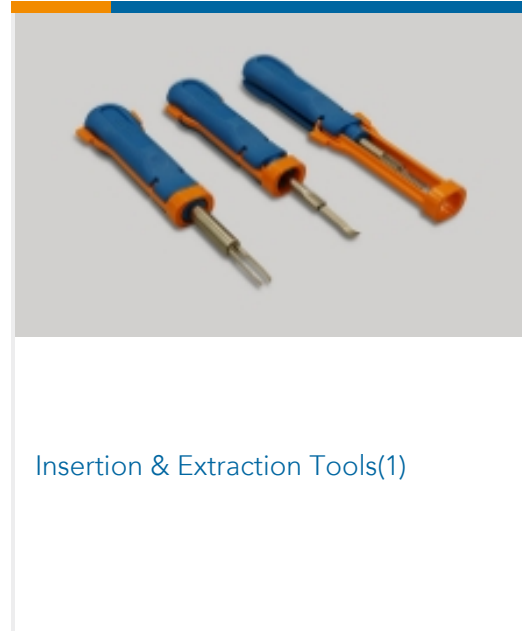
Automotive Connector Caps & Covers (7)



Automotive Housings(118)



Automotive Terminals(30)

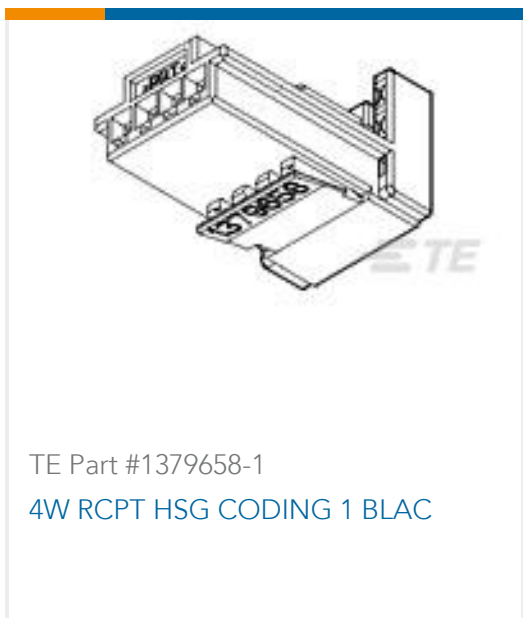


Insertion & Extraction Tools(1)



PCB Headers & Receptacles(1)

Customers Also Bought



TE Part #1379658-1
4W RCPT HSG CODING 1 BLAC



TE Part #1-1419158-6
GET MALE TERM, A, SN, REREEL



TE Part #1456983-2
GET .64 CONNECTOR SYSTEM, CONNECTOR HSG



TE Part #1969688-5
PTL 1X5 PCB HEADER VERT STDTMP KEY A NAT



TE Part #1924396-1
14P MCON 1.2 SCCM Inner Housing



TE Part #2098067-1
Plug Assembly, Hybrid, BCM, IP1, A Key



TE Part #1123653-1
.040 3 UNSEALED CONT.REC MS



TE Part #1564880-1
GET 0.64,FEMALE TERMINAL 0.13M



Documents

Product Drawings

[V23540X7000Y10=GET-FEM TERM AU](#)

English

CAD Files

Customer View Model

[ENG_CVM_1393364-1_B2.3d_igs.zip](#)

English

Customer View Model

[ENG_CVM_1393364-1_B2.3d_stp.zip](#)

English

Customer View Model

[ENG_CVM_1393364-1_B2.2d_dxf.zip](#)

English

3D PDF

English

By downloading the CAD file I accept and agree to the [Terms and Conditions](#) of use.

Datasheets & Catalog Pages

[GET 0.64 Interconnection System](#)

English

Product Specifications

[Application Specification](#)

English

[Application Specification](#)

English

Instruction Sheets

[Instruction Sheet \(U.S.\)](#)

English