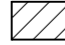
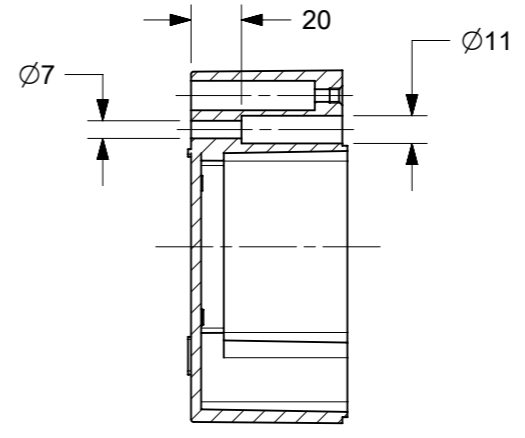
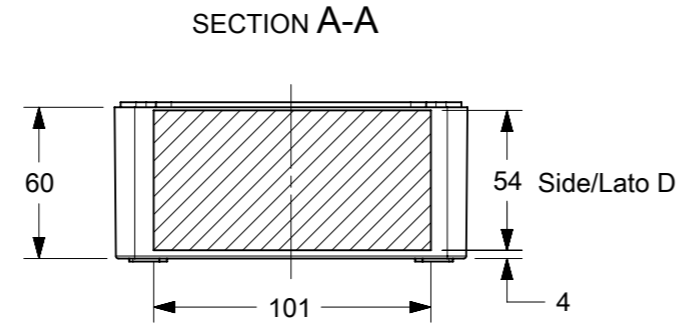
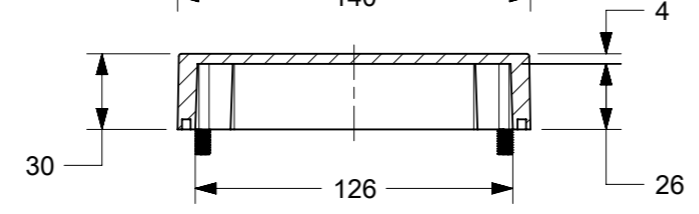
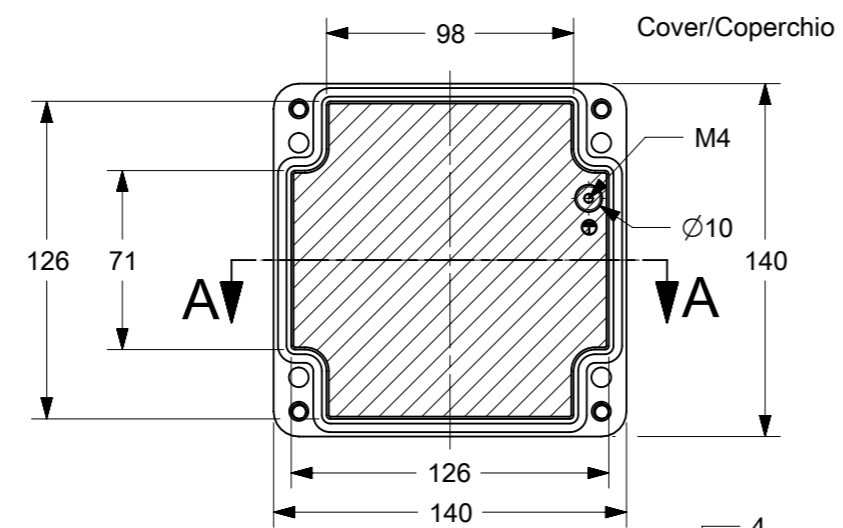
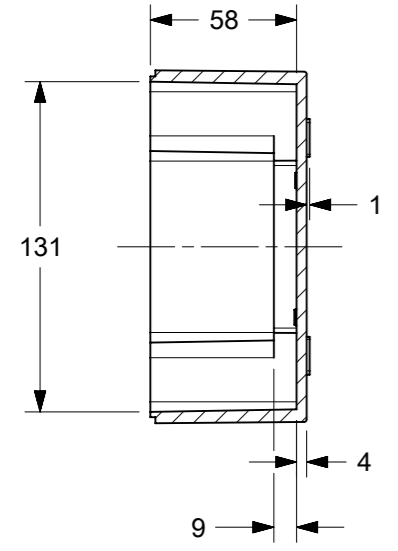


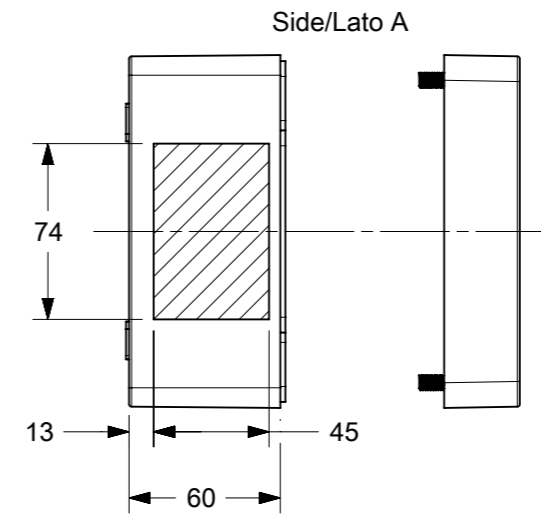
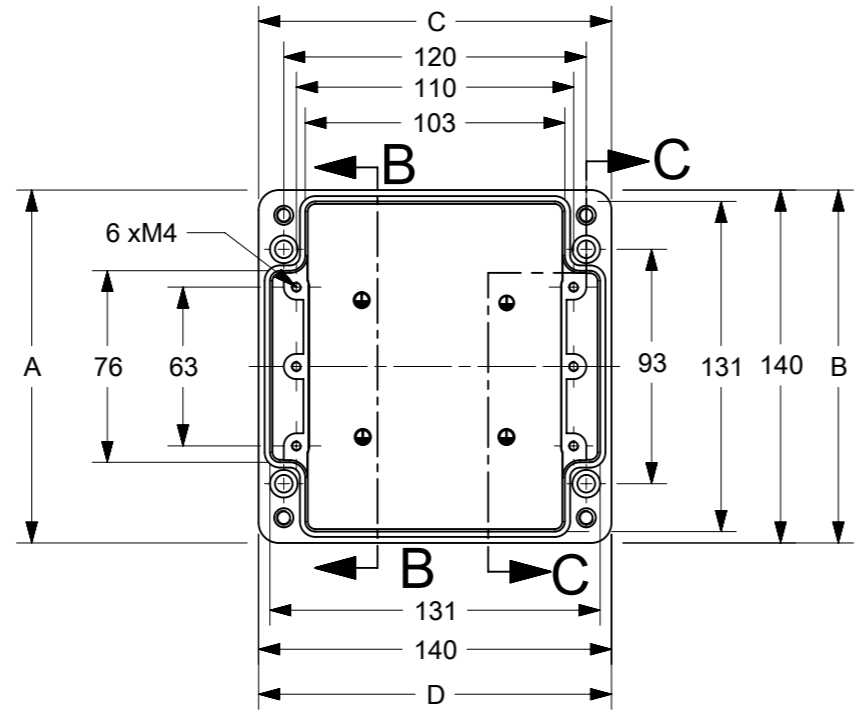
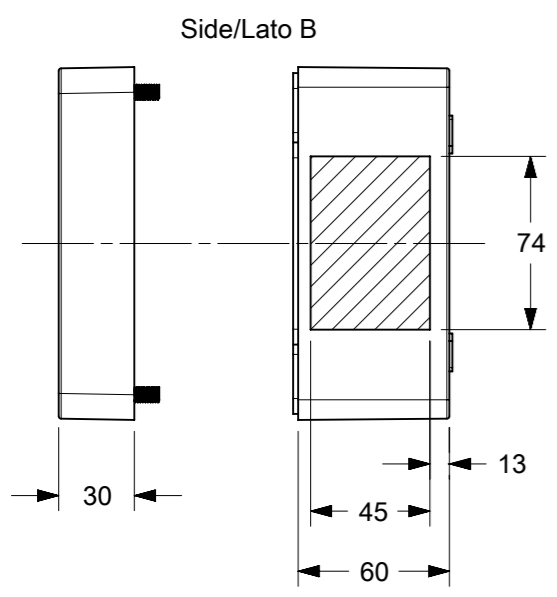
**NOTE:**  
 SUITABLE AREAS FOR DRILLING AND THREADING OPERATIONS  
 - ENCLOSURE SUPPLIED WITH No. 4 COMBI FIXING SCREW M6x35



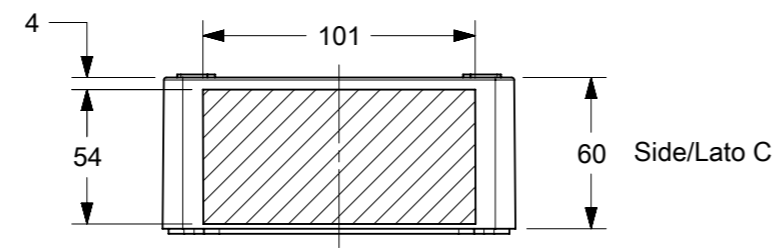
SECTION C-C



SECTION B-B



Side/Lato A



Side/Lato C

Table 1			PRODUCT TABLE		
SAP.No.	Eng.No.	COLOR			
0936040113	8100.8020.0	GREY RAL7001			
0936040168	8100.8120.0	LIGHT GREY RAL7035			
0936040205	8100.8220.0	NOT PAINTED			
0936040276	8100.8320.1	BLACK RAL9005			

FUNCTIONAL SYMBOLS	THIS DRAWING CONTAINS INFORMATION THAT IS PROPRIETARY TO MOLEX ELECTRONIC TECHNOLOGIES, LLC AND SHOULD NOT BE USED WITHOUT WRITTEN PERMISSION	CURRENT REV DESC: FIRST RELEASE		<b>molex</b>		
	DIMENSION UNITS: <b>mm</b> SCALE: <b>1:3</b> GENERAL TOLERANCES (UNLESS SPECIFIED) ANGULAR TOL ± 1.0° 4 PLACES ± 3 PLACES ± 2 PLACES ± 1 PLACE ± 0.2 0 PLACES ± 0.3	EC NO: 707681 DRWN: NFRITZEN CHK'D: RSILLER APPR: RSILLER INITIAL REVISION: DRWN: AKABADI APPR: RSILLER	2022/05/23 2022/05/24 2022/05/24 2022/04/20 2022/05/24			
DIVISIONAL SYMBOLS	DRAFT WHERE APPLICABLE MUST REMAIN WITHIN DIMENSIONS	FIRST ANGLE PROJECTION	DRAWING: A3-SIZE	SERIES: 93604	MATERIAL NUMBER: SEE TABLE 1	CUSTOMER: GENERAL MARKET
				DOCUMENT NUMBER: 936040168	DOC TYPE: PSD	DOC PART: 000
				REVISION: A	SHEET NUMBER: 1 OF 1	