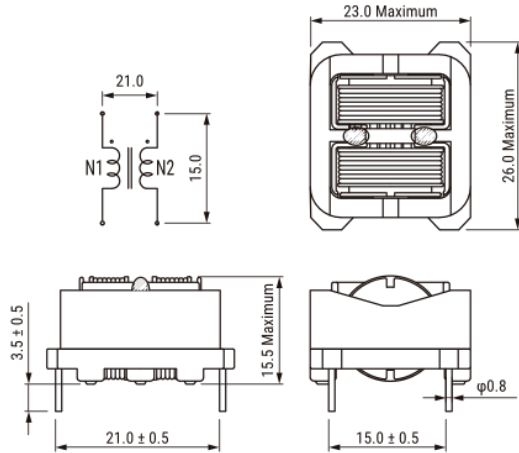


## SSHB21H-R07700

Aliases (UALSB2R0770000)

KEMET, SSHB21H, AC Line Filters, Dual Mode, 70 mH



Click [here](#) for the 3D model.

### Dimensions

L	26mm MAX
T	23mm MAX
H	15.5mm MAX
LL	3.5mm +/-0.5mm
S	21mm +/-0.5mm
S1	15mm NOM
Wire Size	0.28mm

### Packaging Specifications

Packaging	Tray
Packaging Quantity	360
Component Weight	14 g

### General Information

Series	SSHB21H
Style	Through-Hole
RoHS	Yes
Notes	Marking: R07 Lot No.
Miscellaneous	Temperature Rise Maximum: 60 K.
Core	Mn-Zn Ferrite

### Specifications

Voltage AC	250 VAC, 320 VAC (IEC60664-1)
Inductance	70 mH (10 kHz)
Current	700 mA
Temperature Range	-40/+120°C
DC Resistance	1.16 Ohms