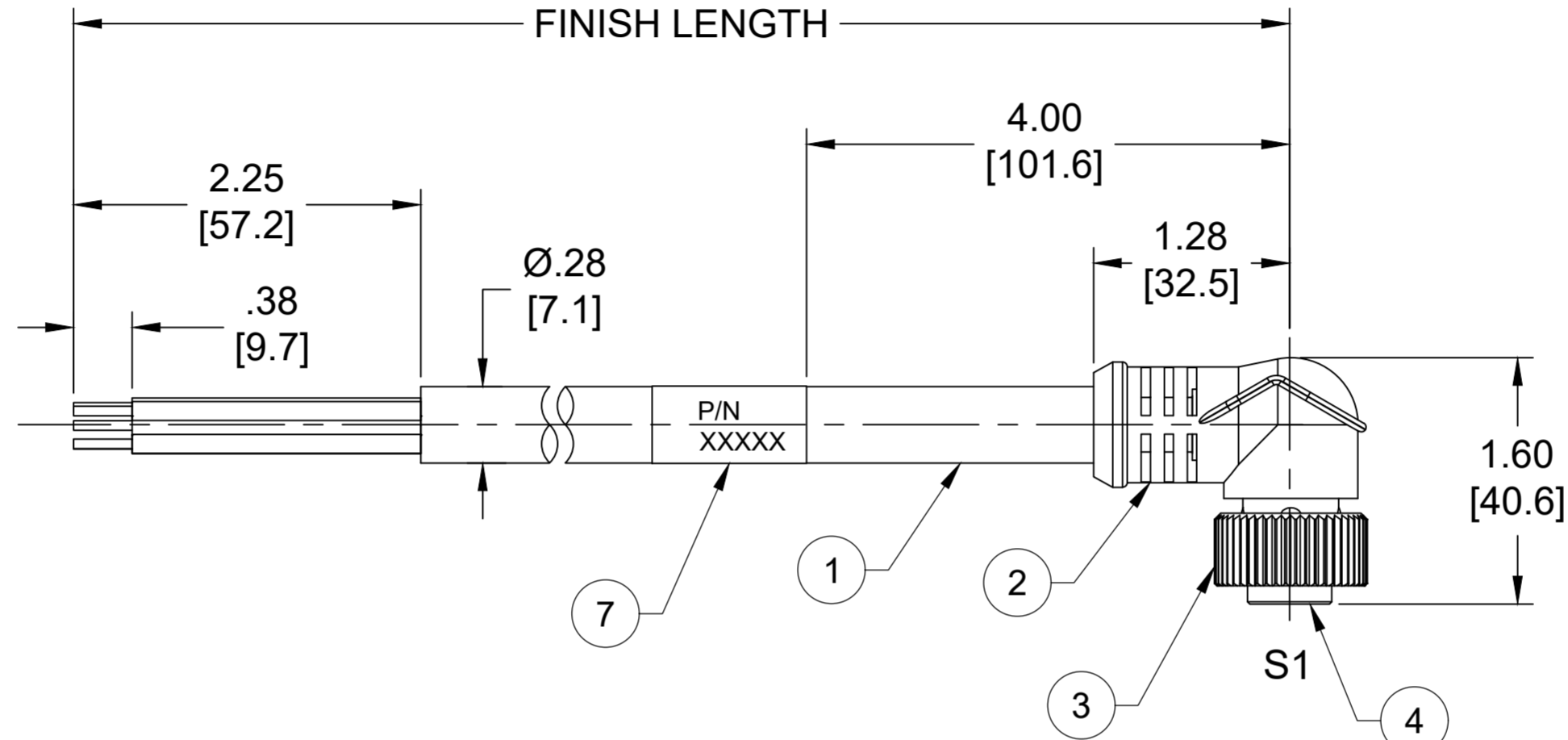
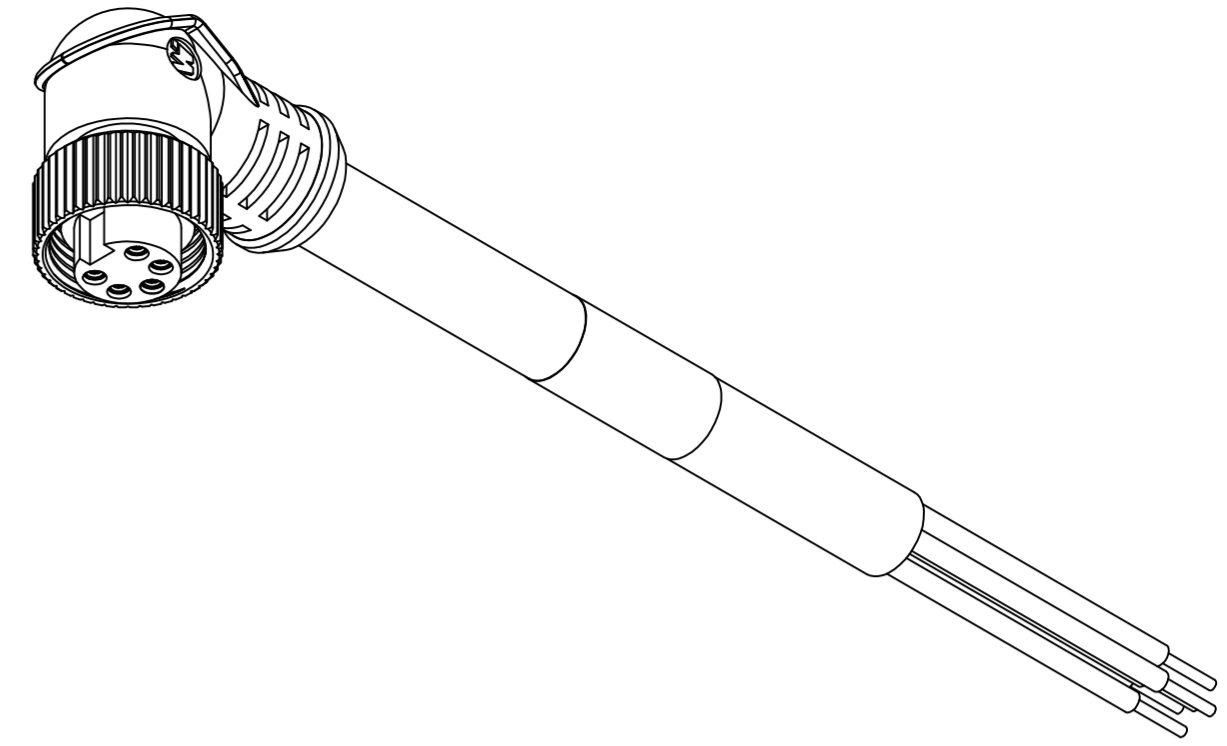


PART NO.	ENGINEERING NO.	FINISHED LENGTH
1300061402	105001A07M010	1M [3FT 3 IN]
1300061409	105001A07M050	5M [16FT 5 IN]
1300061413	105001A07M150	15M [49FT 3 IN]

### PART NUMBER LEGEND

105001A07M010

CABLE LENGTH  
M000 = 0.5 METER  
M010 = 1 METER  
M100 = 10 METER

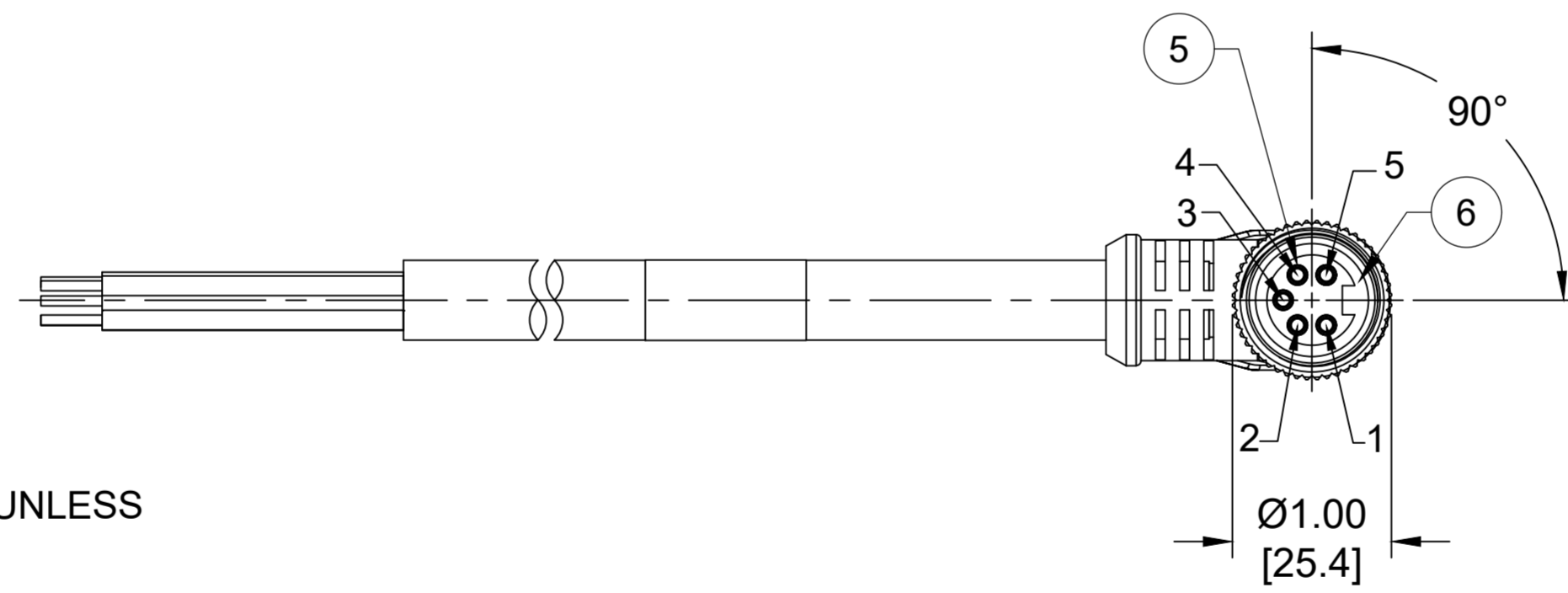


**NOTES:**

- MATERIAL: AS NOTED
- FINISH: AS NOTED
- ELECTRICAL:  
VOLTAGE : 300V  
CURRENT: 4A
- TEMP RATING: -20° TO +105°C
- PROTECTION: IP67 (WHEN MATED)
- COUPLING THREAD: 7/8"-16UN
- CSA CERTIFIED FILE: LR6837
- ALL DIMENSIONS ARE FOR REFERENCE UNLESS TOLERANCED OR NOTED OTHERWISE

	S1
BLACK	1
BLUE	2
GREEN/YELLOW-GND	3
BROWN	4
WHITE	5

**WIRING DIAGRAM**



**FEMALE FACE VIEW**

**CABLE LENGTH TOLERANCES**

<.3M [1FT]:	+19mm-0 [+.75in-0]
.3 - .9M [1 - 3FT]:	+44.5mm-0 [+1.75in-0]
.9 - 1.8M [3 - 6FT]:	+55.6mm-0 [+2.19in-0]
1.8 - 3.7M [6 - 12FT]:	+88.9mm-0 [+3.50in-0]
3.7 - 7.3M [12 - 24FT]:	+165.1mm-0 [+6.50in-0]
7.3-14.6M [24 - 48FT]:	+317.5mm-0 [+12.50in-0]
14.6 - 30.5M [48-100FT]:	+622.3mm-0 [+24.50in-0]
OVER 30M [100FT]	+2% OF FINISHED LENGTH

ITEM	COMPONENT	MATERIAL	FINISH
7	WRAP LABEL	VINYL	BLACK/YELLOW
6	FRICITION RING	NYLON	WHITE
5	CONTACT SOCKET	COPPER ALLOY	GOLD OVER NICKEL
4	INSERT	TPE	YELLOW
3	COUPLING NUT	ZINC DIE CAST	BLACK-E-COAT
2	OVERMOLD	TPE	YELLOW
1	CABLE, 20 AWG	PVC	YELLOW

THIS DRAWING CONTAINS INFORMATION THAT IS PROPRIETARY TO MOLEX ELECTRONIC TECHNOLOGIES, LLC AND SHOULD NOT BE USED WITHOUT WRITTEN PERMISSION

FUNCTIONAL SYMBOLS	DIMENSION UNITS	SCALE	CURRENT REV DESC: ITEM# 2 & 4 WERE PVC. ADDED ITEM #6. MODIFIED TEMP RATING & PN CHART. REMOVED IEC & UL FROM NOTES.
FA=0	INCH/MM	NTS	
FC=0	GENERAL TOLERANCES (UNLESS SPECIFIED)		
FD=0	mm	INCH	
DIVISIONAL SYMBOLS	4 PLACES	±----	EC NO: 698916
	3 PLACES	±----	DRWN: ABENJAMINLW 2021/05/21
	2 PLACES	±----	CHK'D: RSTONE 2022/03/09
	1 PLACE	±----	APPR: BWOODMAN 2022/03/11
	0 PLACES	±----	INITIAL REVISION:
	ANGULAR TOL ± ---- °		DRWN: BWOODMAN 2009/12/30
	DRAFT WHERE APPLICABLE MUST REMAIN WITHIN DIMENSIONS	THIRD ANGLE PROJECTION	APPR: JFMURPHY 2010/01/08
		DRAWING	SERIES
		C-SIZE	130006
		MATERIAL NUMBER	CUSTOMER
		SEE CHART	GENERAL MARKET
		DOCUMENT NUMBER	DOC TYPE/DOC PART/REVISION
		SD-130006-033	PSD 001 C
		SHEET NUMBER	1 OF 1