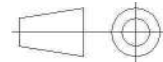
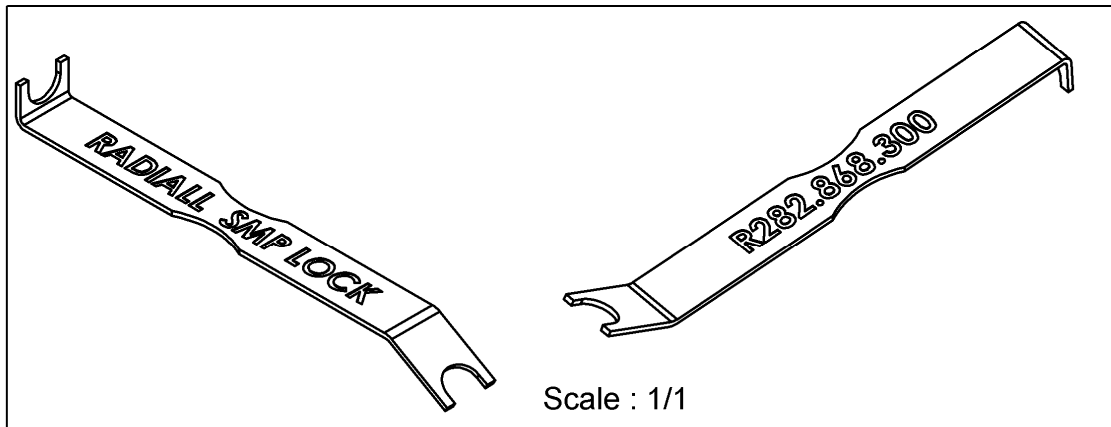
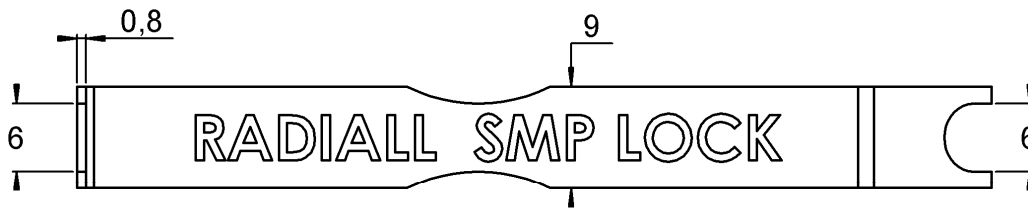
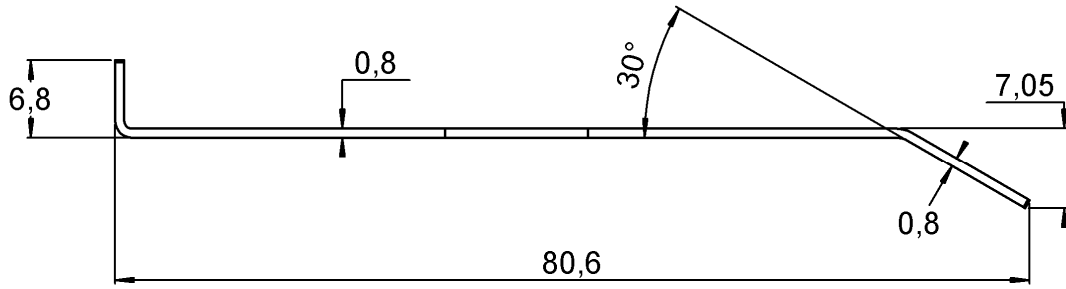


**EXTRACTOR TOOL SMP LOCK**

**R282.868.300**

Series : **OUT**



Issue : 1240 A

In the effort to improve our products, we reserve the right to make changes judged to be necessary.

