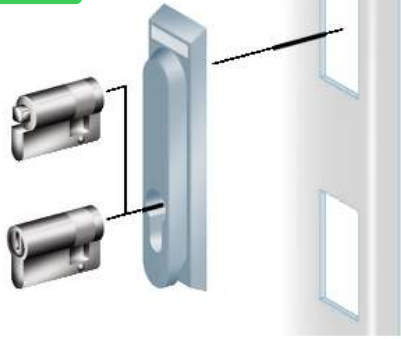


Product data sheet

Specifications



reinforced barrel and key for retractable handle of 3 point lock PLM or PLD

NSYTLRME

⚠ Discontinued on: 30 June 2022

⚠ Discontinued

Main

Range	Thalassa
Accessory / separate part category	Locking accessory
Product or component type	Barrel lock
Application	Multi-purpose
Mounting support	Direct mounting on door
Product compatibility	NSYPLM...V version PLD enclosures
Range compatibility	Thalassa (Thalassa PLM) Thalassa (Thalassa PLD)
Device composition	1 cylindrical barrel 2 key

Complementary

Quantity per set	Set of 1
Lock type	Key lock
Type of keylock	Reinforced

Packing Units

Unit Type of Package 1	PCE
Number of Units in Package 1	1
Package 1 Height	2 cm
Package 1 Width	8 cm
Package 1 Length	8 cm
Package 1 Weight	100 g

Offer Sustainability

Sustainable offer status	Green Premium product
EU RoHS Directive	Pro-active compliance (Product out of EU RoHS legal scope) EU RoHS Declaration
Mercury free	Yes
China RoHS Regulation	China RoHS declaration

RoHS exemption information	Yes
Environmental Disclosure	Product Environmental Profile

Contractual warranty

Warranty	18 months
-----------------	-----------

Recommended replacement(s)