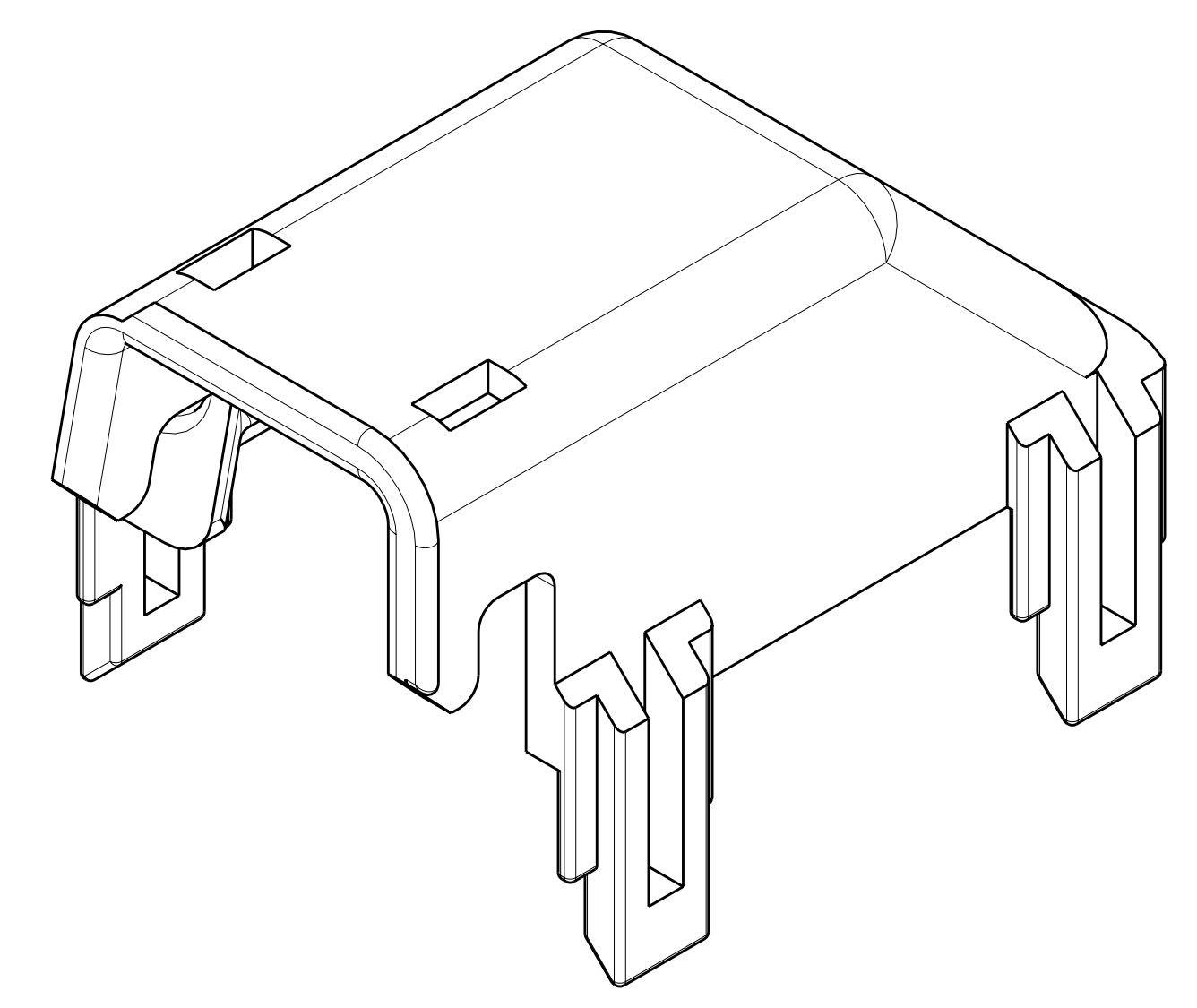
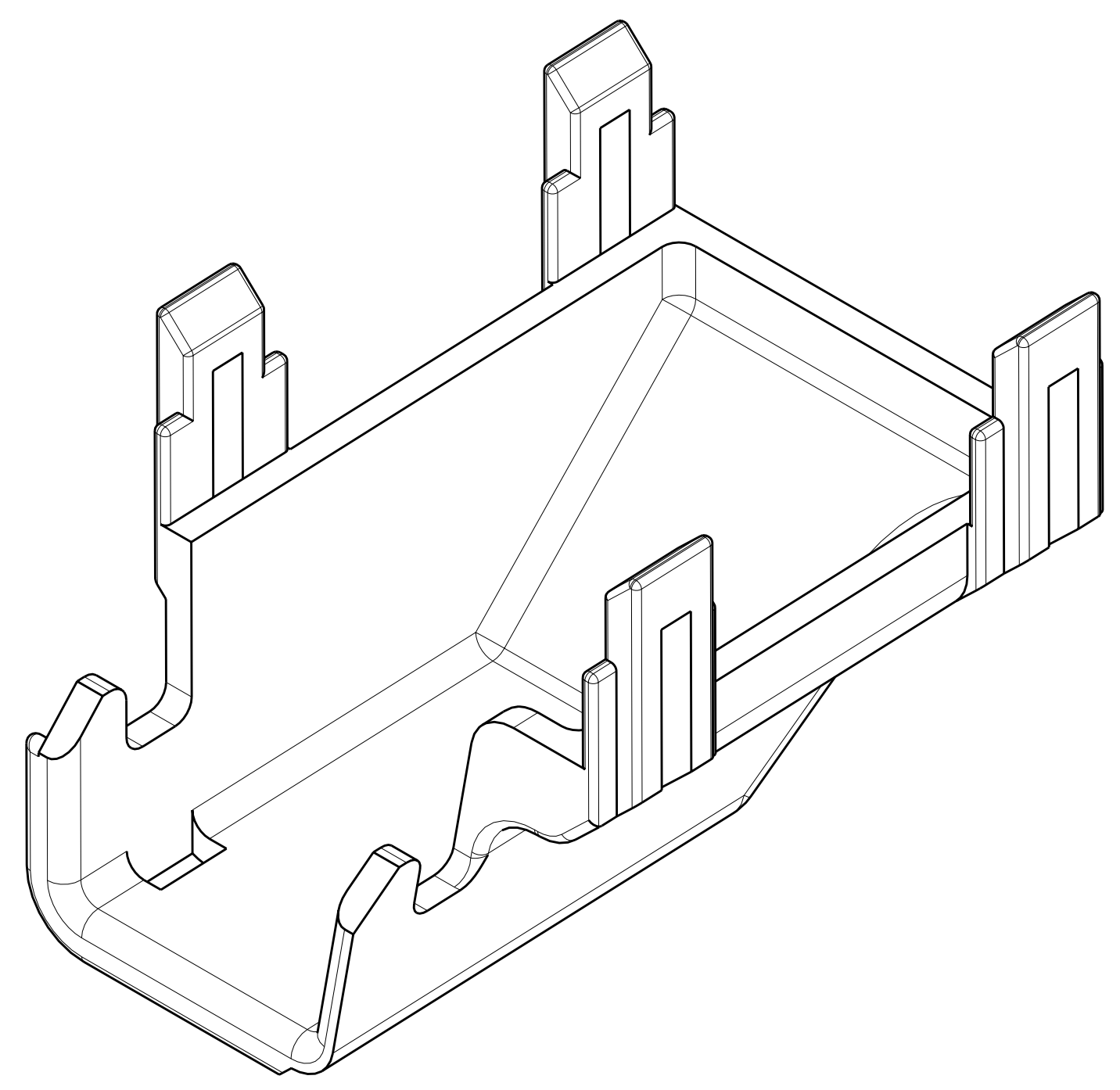
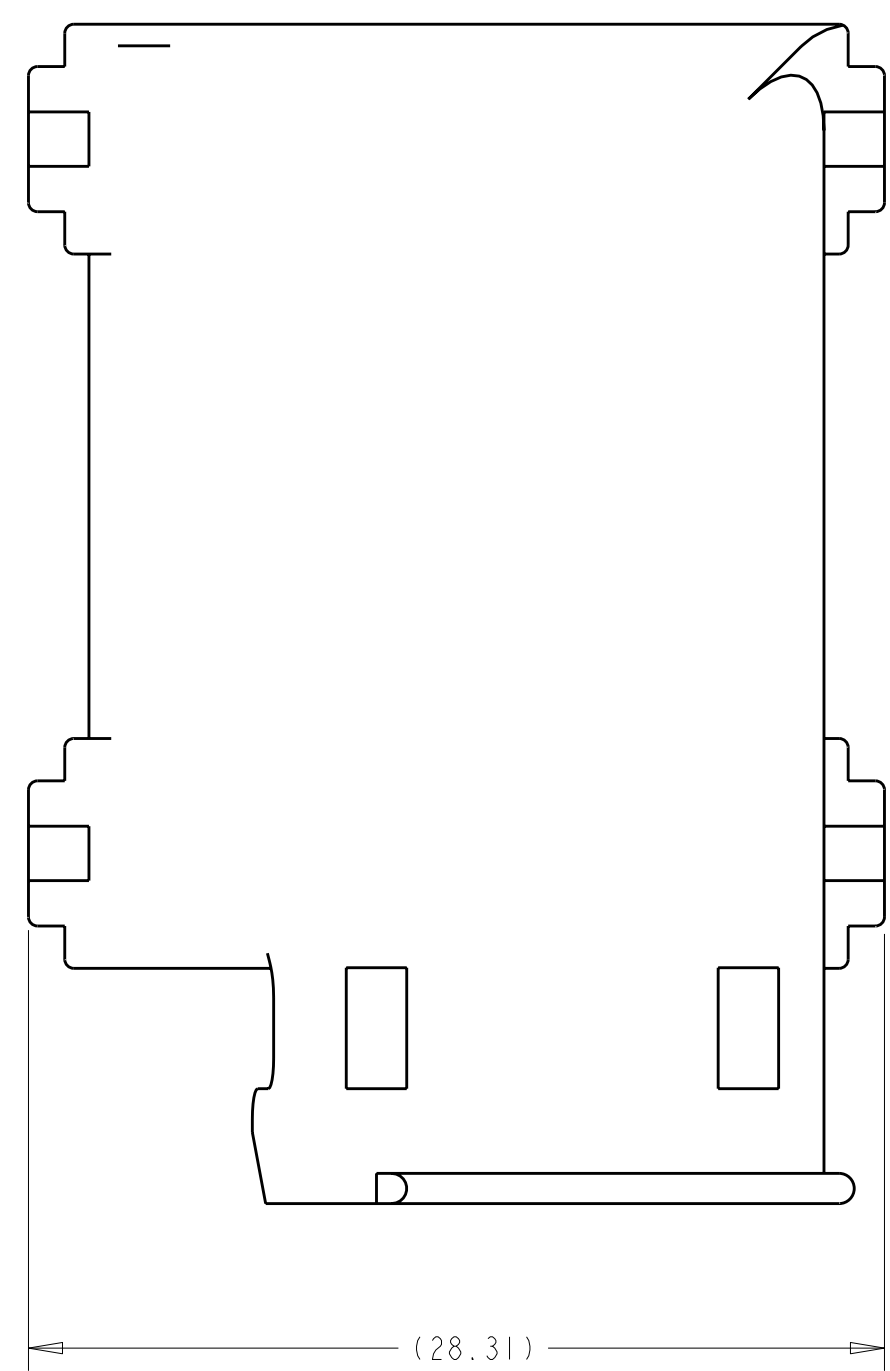
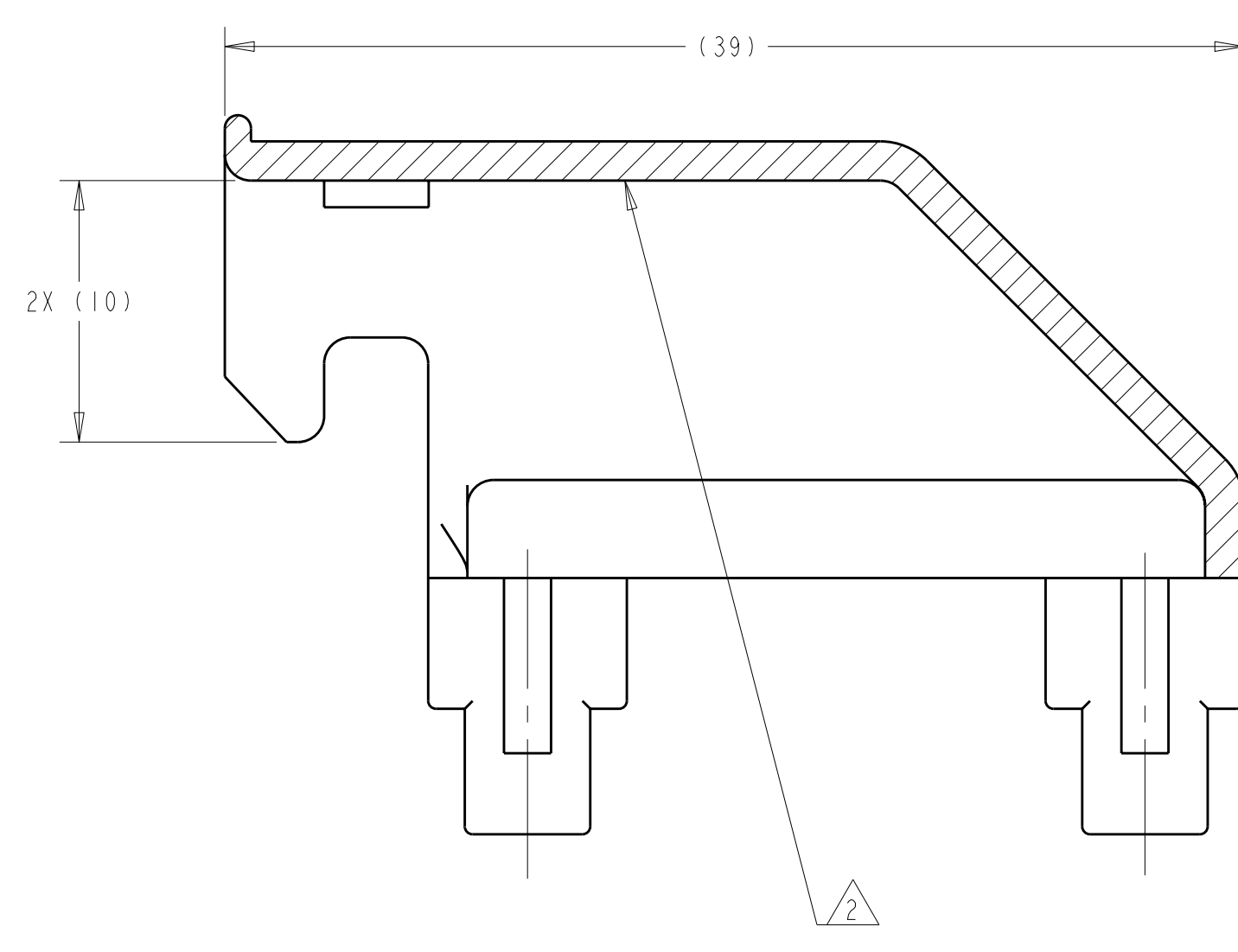
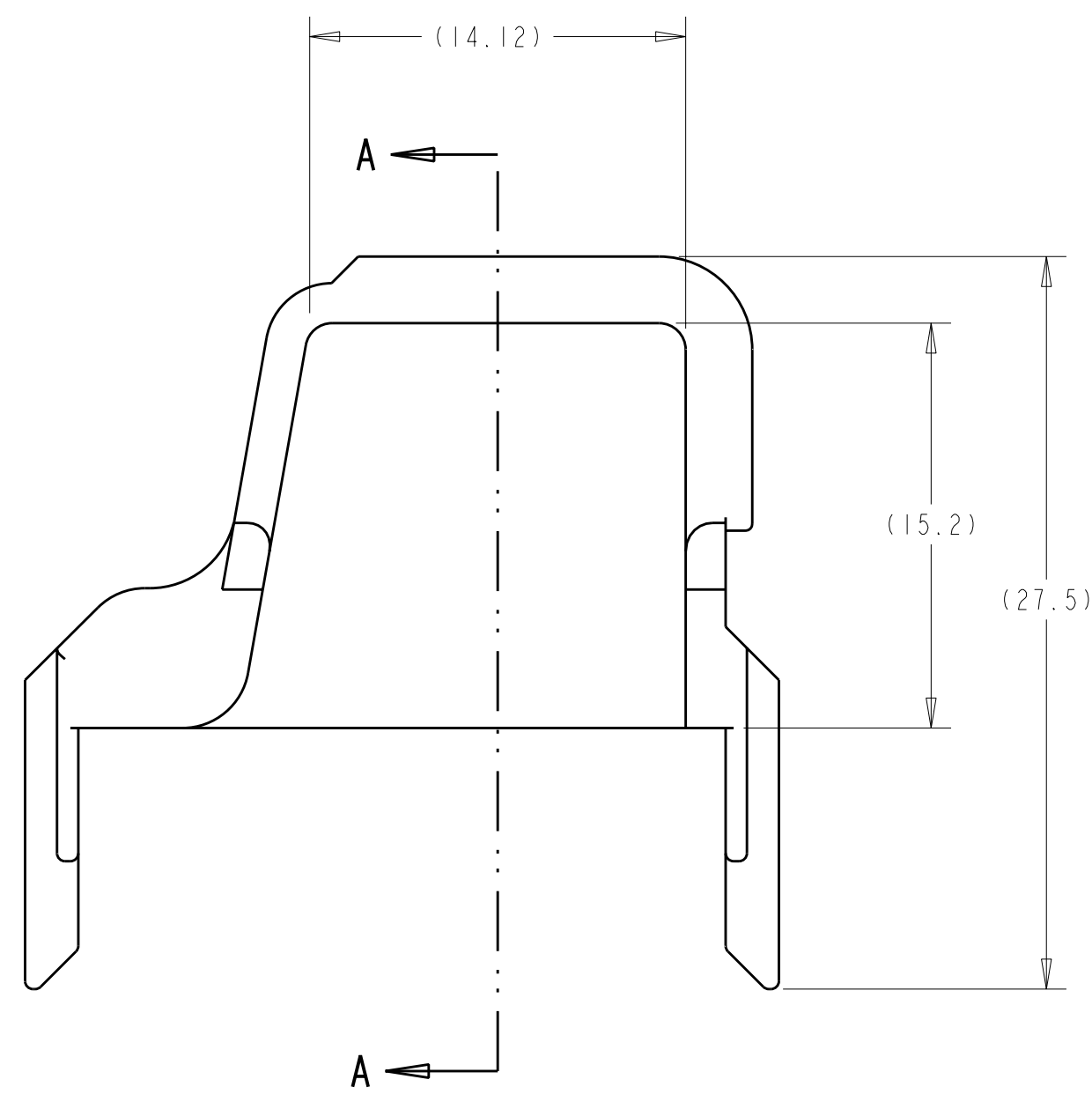
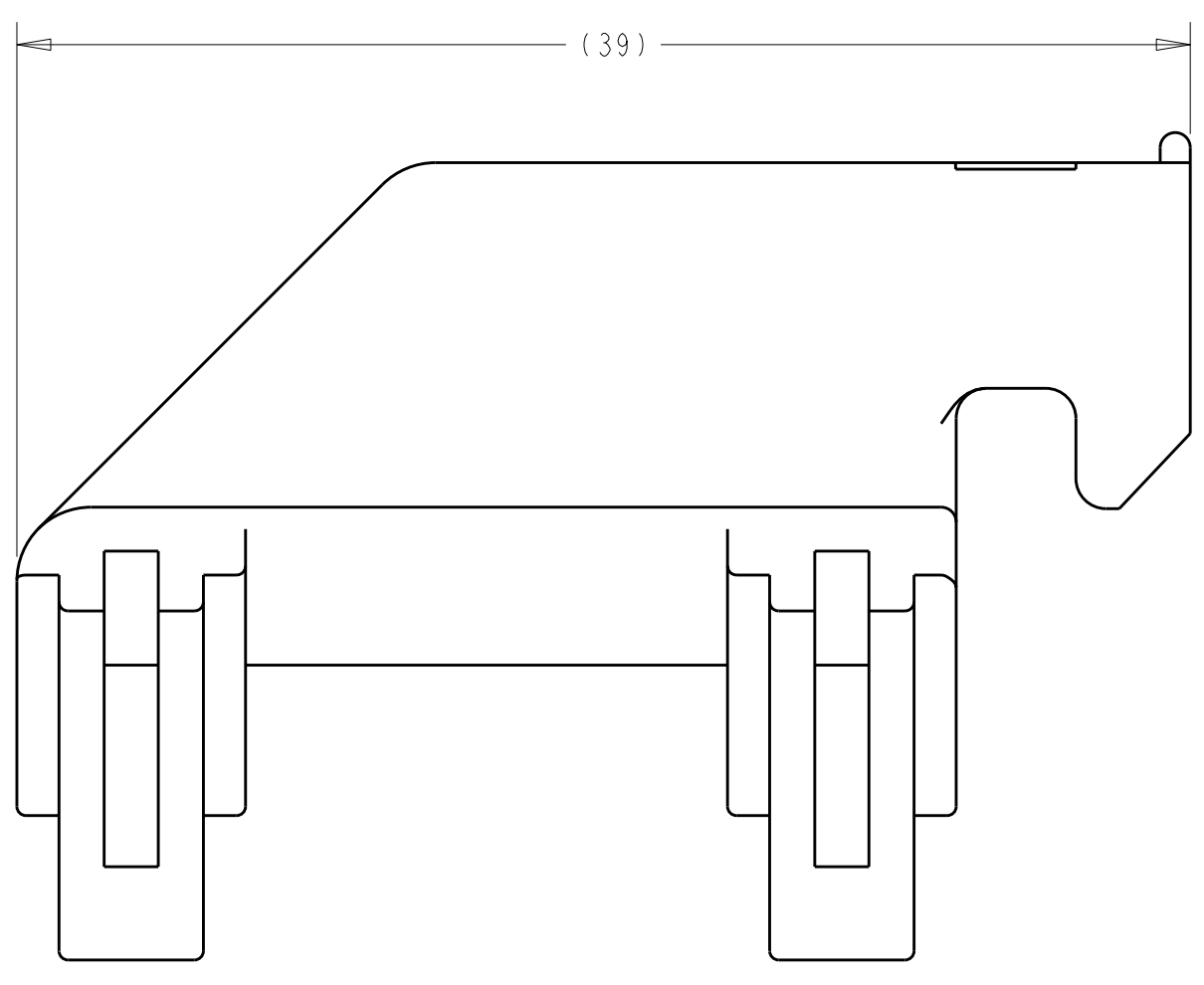


LOC	DIST	REVISIONS			
P	LTR	DESCRIPTION	DATE	DWN	APVD
A		INITIAL RELEASE PER D08-093	15JUL2008	RGV	WTW



- 1 MATERIAL: POLYPROPYLENE  
COLOR: BLACK
- 2 MOLD FORD LOGO, PART NUMBER, CAVITY I.D. AND MATERIAL RECYCLING CODE LOCATED ON THIS SURFACE. FOR ALTERNATE PART NUMBERS AND/OR LOGOS CONTACT TYCO ELECTRONICS PRODUCT ENGINEER.
- 3. 25% MAXIMUM REGRIND.



SECTION A-A

>PP<		BLACK	IFIT-14N003-BA	8-1419157-8
MATERIAL	COLOR	CUSTOMER PART NO	PART NO	
DWN: R. VESTAL 15JUL2008		Tyco Electronics Harrisburg, PA 17105-3608		
CHK: W. WELLINSKY 15JUL2008		NAME: 40 WAY AIRBAG WIRE SHIELD		
APVD: W. WELLINSKY 15JUL2008		PRODUCT SPEC: -		
TOLERANCES UNLESS OTHERWISE SPECIFIED:		APPLICATION SPEC: -		
DIMENSIONS: mm		SIZE: CAGE CODE: DRAWING NO: RESTRICTED TO		
0 PLC ±		WEIGHT: 2.58g		
1 PLC ±		CUSTOMER DRAWING		
2 PLC ±		SCALE: 4:1		
3 PLC ±		SHEET 1 OF 1		
4 PLC ±		REV A		
ANGLES ±				
FINISH				