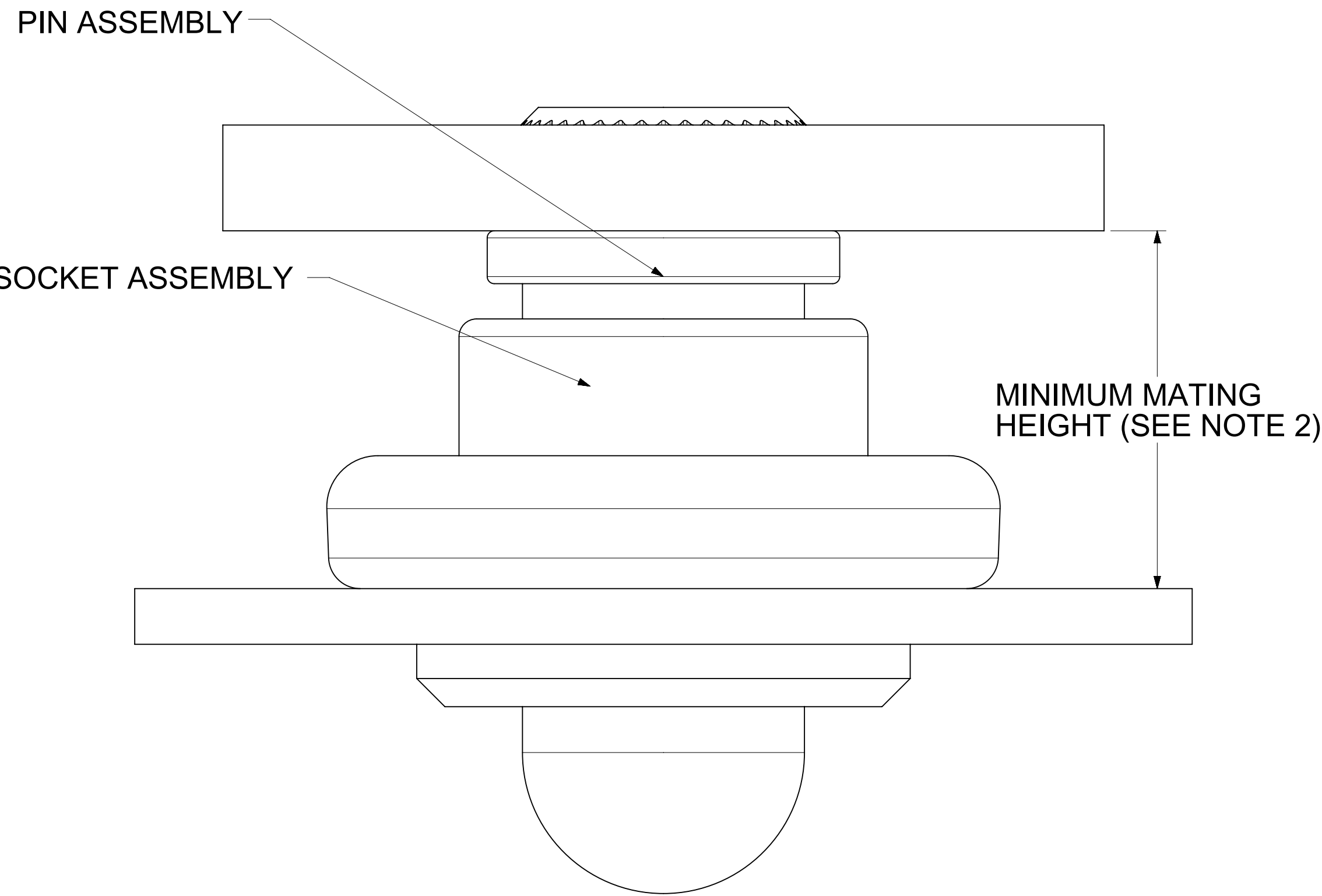
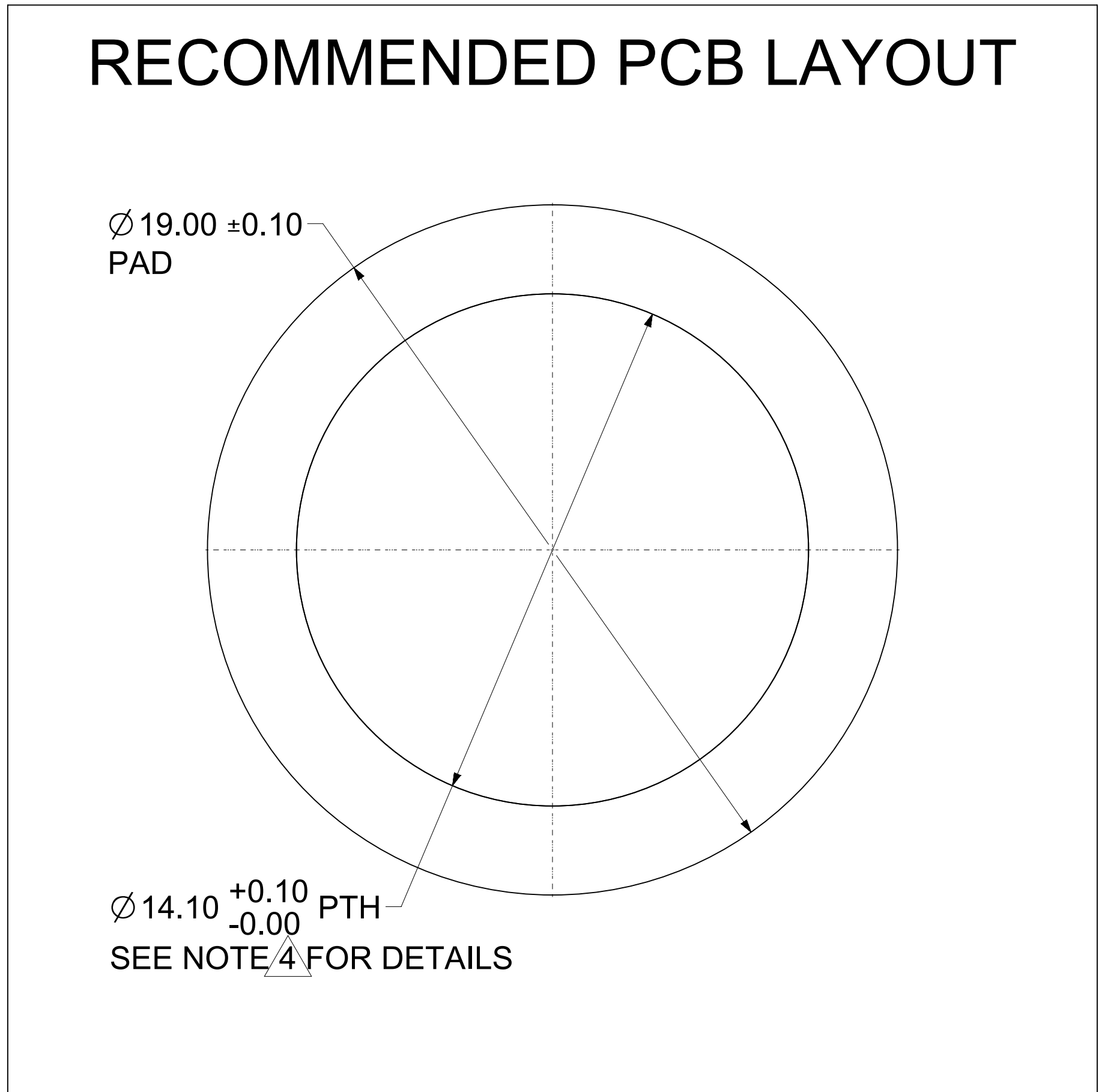
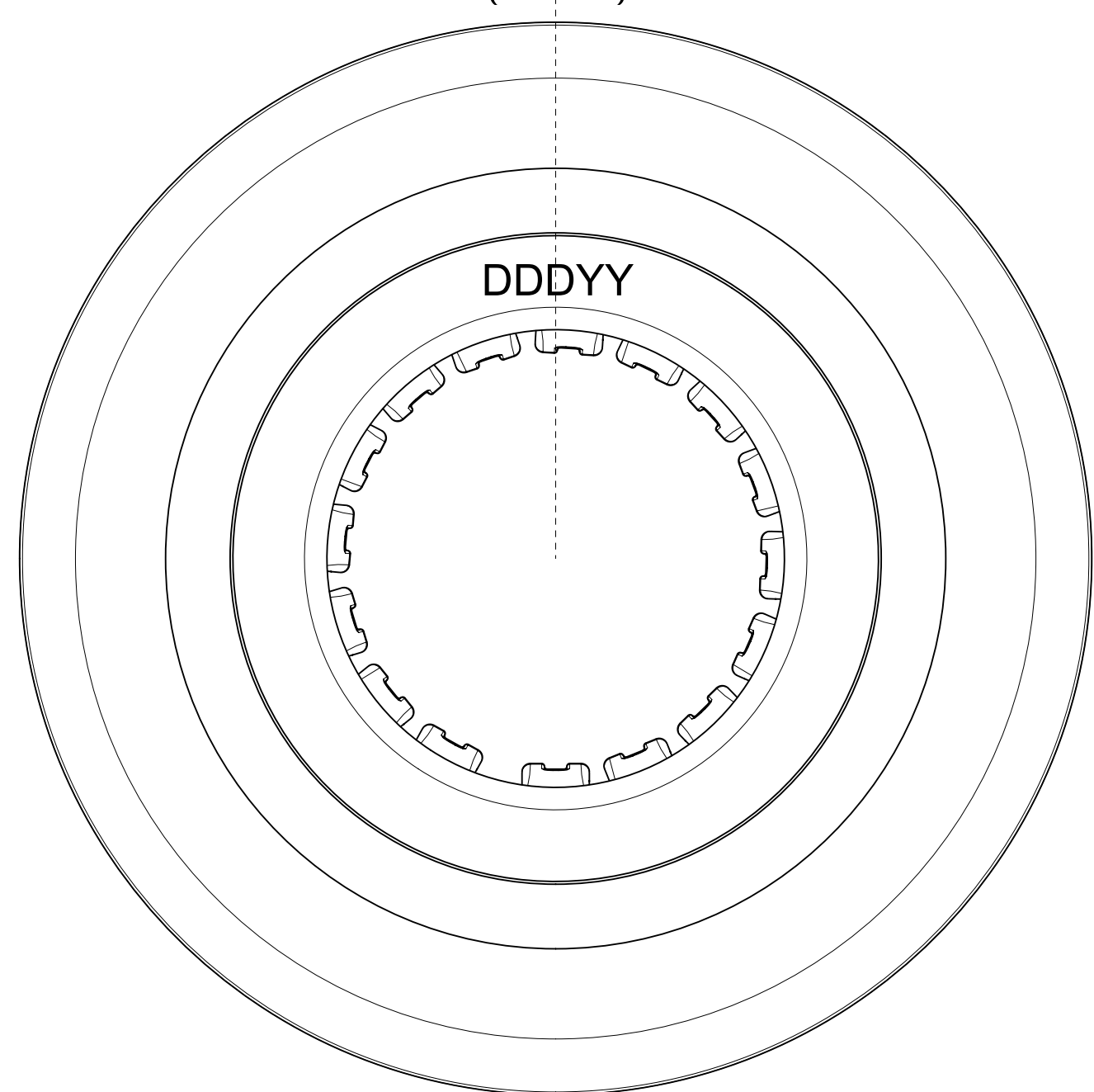
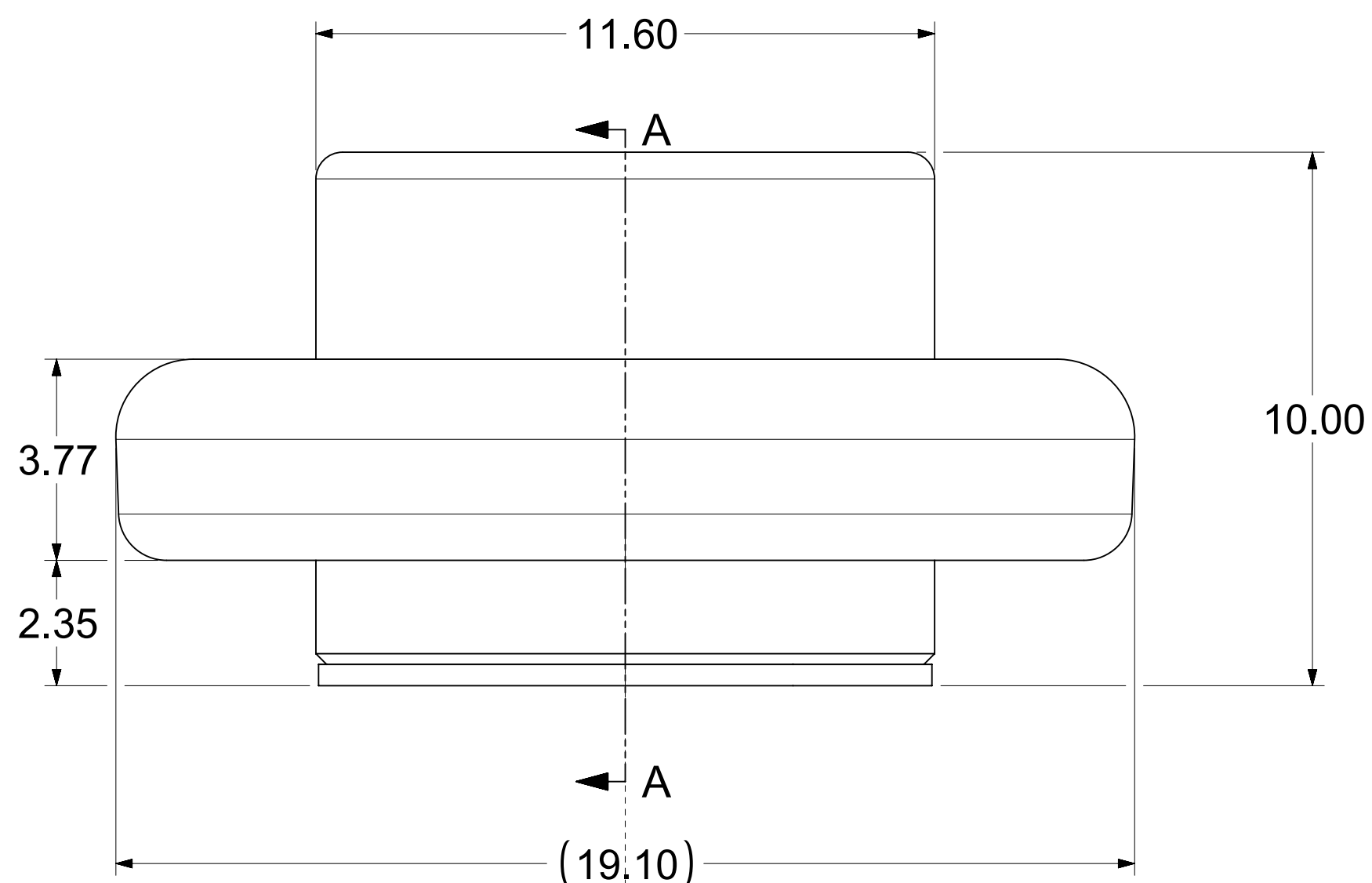
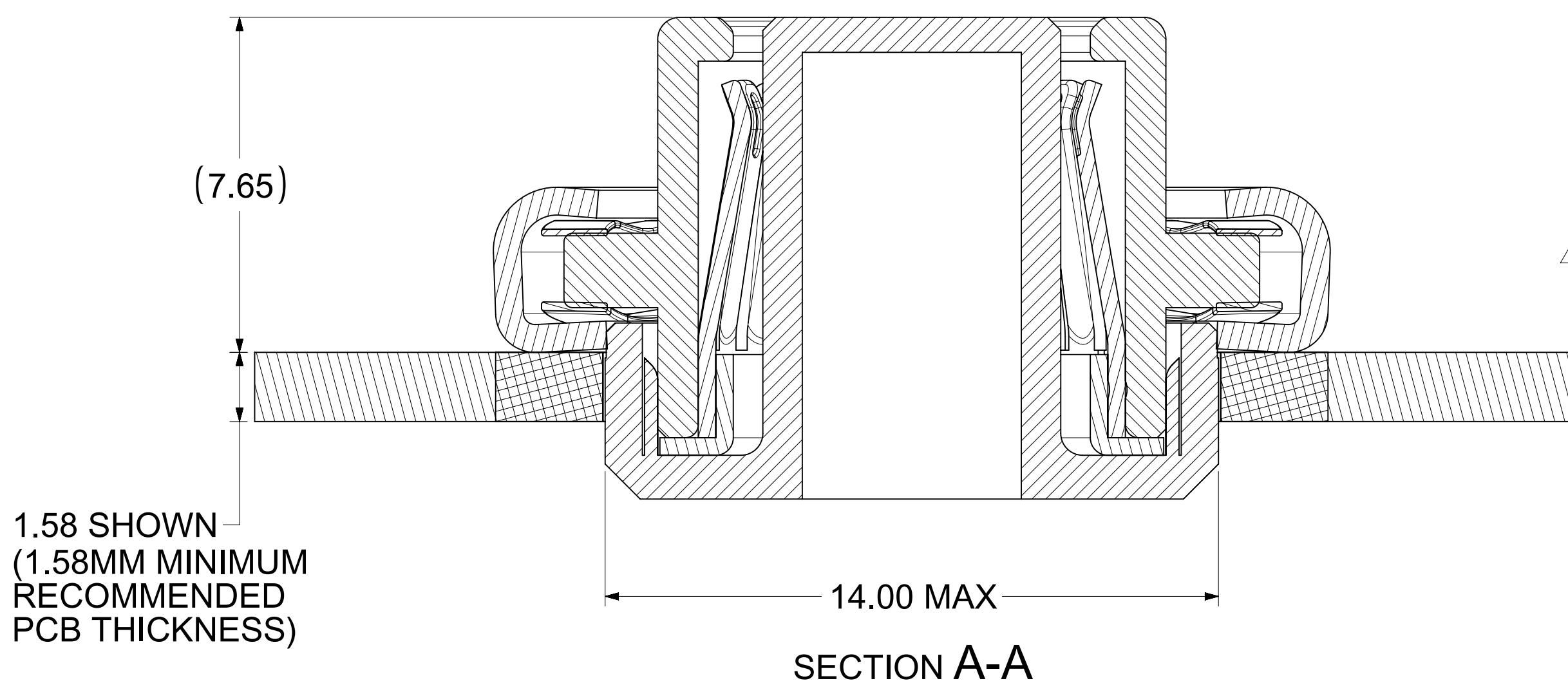


REMOVABLE  
PICK AND PLACE  
CAP SHOWN



MATING PROFILE



SECTION A-A

- NOTES:**
1. MATERIALS:  
RETENTION CAP: STAINLESS STEEL  
PICK AND PLACE CAP: LCP UL94, V-0 COLOR BLACK  
BASE METAL: HIGH CONDUCTIVE COPPER ALLOY  
PLATING ON CONTACTS: 0.75 MICRON MIN GOLD OVER 1.27 MICRON MIN NICKEL  
PLATING ON BODY: 3.18 MICRON MIN SILVER OVER 1.27 MICRON MIN NICKEL
  2. MATES WITH THE STANDARD PIN DRAWINGS:  
i. 8.0MM SMT DRAWING 2032633080-SD, MIN. MATING DISTANCE 9.8MM  
ii. 8.0MM PRESS FIT DRAWING 2032630001-SD, MIN. MATING DISTANCE 10.15MM  
iii. 8.0MM SCREW MOUNT DRAWING 2032634185-SD, MIN. MATING DISTANCE 13.15MM
  3. PRODUCT SPECIFICATION: 2043130001-PS
  4. APPLICATION SPECIFICATION: 2043130001-AS
  5. PACKAGING SPECIFICATION: 2121950012-PK
  6. SILVER COMPONENTS WILL BE SUPPLIED TARNISH FREE BUT MAY TARNISH OVER TIME.
  7. PICK AND PLACE CAP TO BE REMOVED AFTER SOLDERING. CAP TO BE PUSHED OUT OF BOTTOM FROM THE TOP.
  8. DATE CODE TO BE LASER MARKED APPROXIMATELY WHERE SHOWN USING DDYY FORMAT

THIS DRAWING CONTAINS INFORMATION THAT IS PROPRIETARY TO MOLEX ELECTRONIC TECHNOLOGIES, LLC AND SHOULD NOT BE USED WITHOUT WRITTEN PERMISSION											
DIMENSION UNITS	SCALE	CURRENT REV DESC: UPDATED THE TITLE BLOCK									
mm	5:1										
GENERAL TOLERANCES (UNLESS SPECIFIED)											
ANGULAR TOL		± 0.5°									
4 PLACES	±	EC NO: 747243									
3 PLACES	±	DRWN: SACHIK7		2023/02/28							
2 PLACES	± 0.15	CHK'D: SCS02		2023/04/25							
1 PLACE	± 0.25	APPR: HTHYAGARAJ		2023/04/26							
0 PLACES	±	INITIAL REVISION:									
DRAFT WHERE APPLICABLE MUST REMAIN WITHIN DIMENSIONS		DRWN: RLOW		2019/07/15							
THIRD ANGLE PROJECTION		APPR: BPISZCZOR		2019/11/13							
DRAWING		SERIES		MATERIAL NUMBER		CUSTOMER		SHEET NUMBER			
D-SIZE		212195		2121950012		GENERAL MARKET		1 OF 1			

# molex

8.0MM SENTRALITY TOP ENTRY SMT  
SOCKET WITH FLOAT IN T&R

PRODUCT CUSTOMER DRAWING

DOCUMENT NUMBER	DOC TYPE	DOC PART	REVISION
2121950012-SD	PSD	000	A4