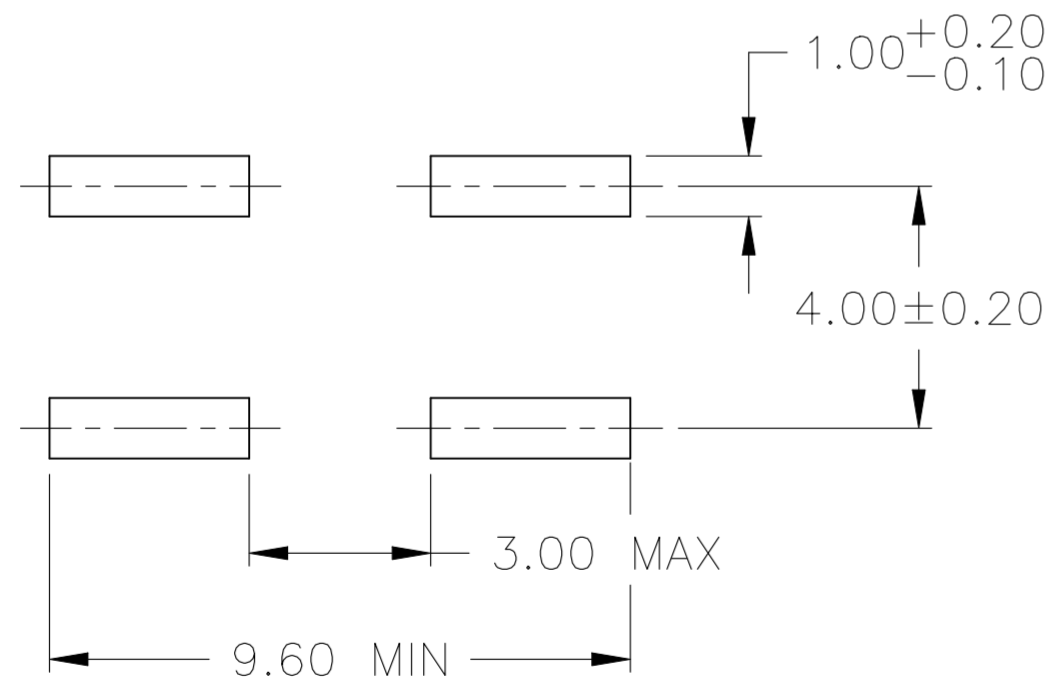
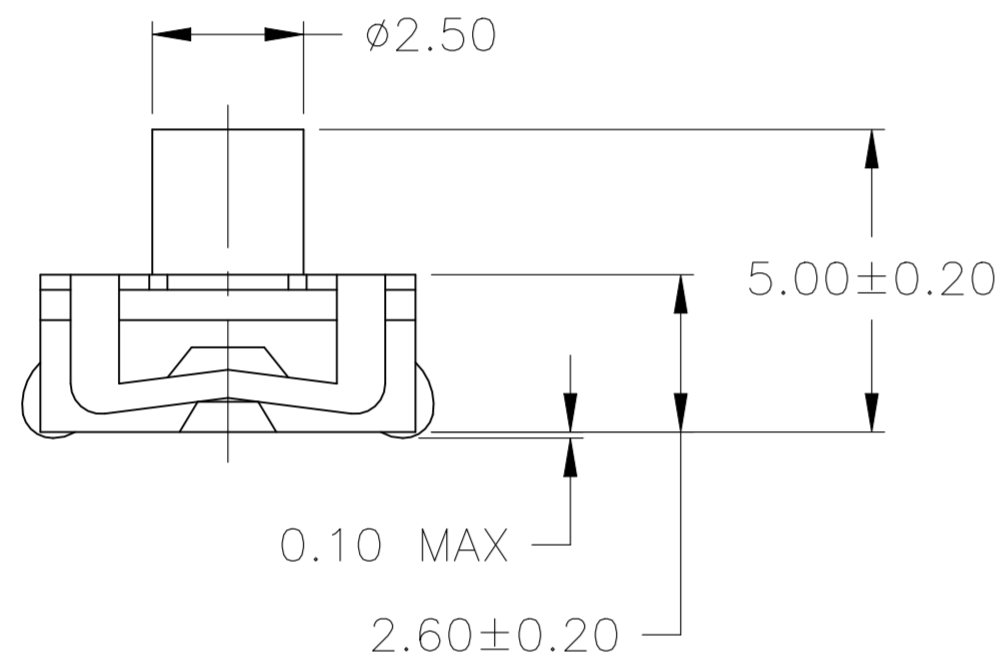
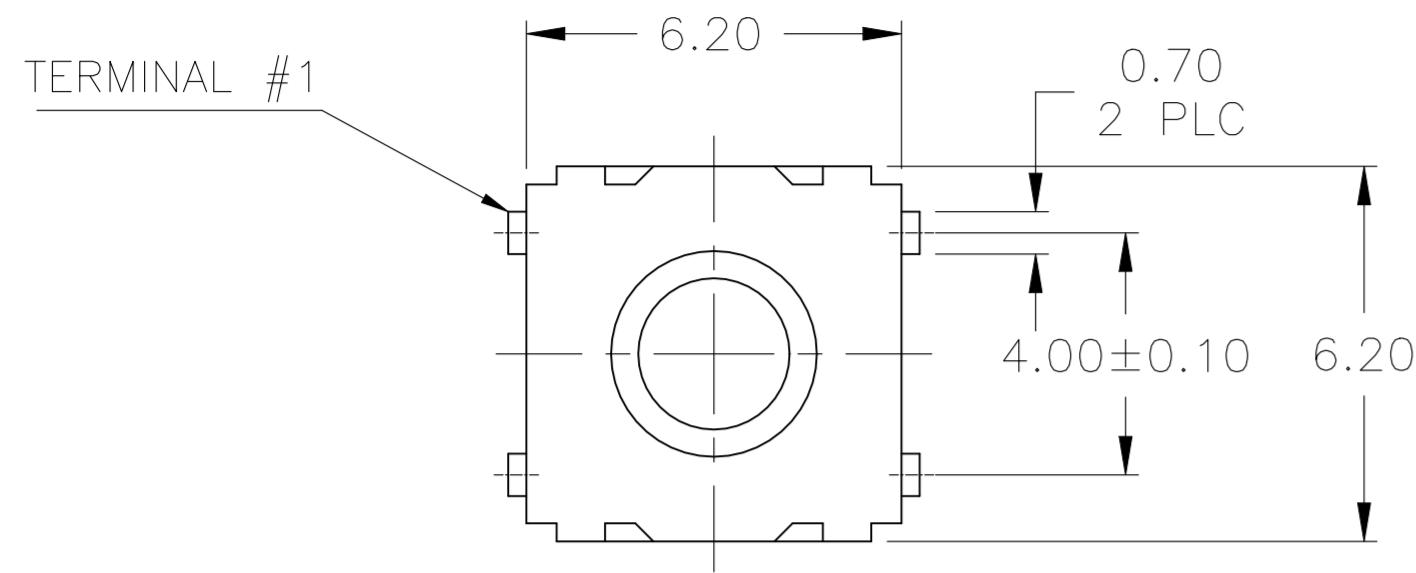
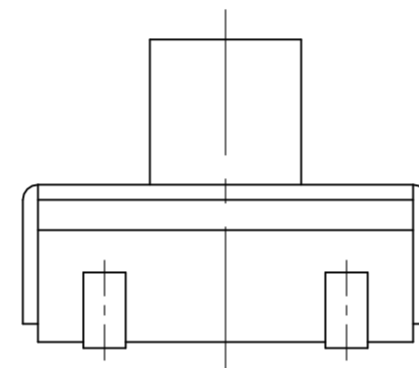


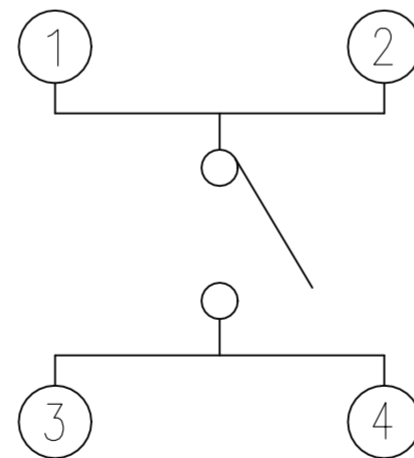
REVISIONS					
P	LTR	DESCRIPTION	DATE	DWN	APVD
B		REVISED PER ECR-21-117839	26OCT2021	GSK	JB



RECOMMENDED PC BOARD LAYOUT



CIRCUIT DIAGRAM



SPECIFICATIONS:

MATERIALS:

CASE, PPS, UL94V-0, BROWN
 COVER, STAINLESS STEEL
 ACTUATOR, SILICON RUBBER- WHITE/NATURAL
 MOVING CONTACT, STAINLESS STEEL, PLATE-SILVER CLAD/NICKEL
 FIXED CONTACT/TERMINAL, COPPER ALLOY, PLATE-SILVER/NICKEL

ELECTRICAL:

MAX CONTACT RATING: 50mA@12VDC.
 MIN CONTACT RATING: 1mA@20mV
 INITIAL CONTACT RESISTANCE, 100 MILLIOHMS MAX, PER EIA-364-23B, EACH POSITION
 INSULATION RESISTANCE, 100 MEGOHM MIN. PER EIA-364-21C EACH POSITION
 DIELECTRIC STRENGTH, 250 V AC FOR 1 MINUTE, PER EIA-364-20B, CONDITION 1, EACH POSITION.
 CONTACT BOUNCE, 10 MILLISECOND MAX, PER EIA 448-1B, METHOD 15

MECHANICAL:

ACTUATION FORCE, SEE TABLE
 ACTUATION TRAVEL, 0.38±0.12mm, OVER TRAVEL 1.27mm MAX.
 LIFE EXPECTANCY, SEE TABLE, VALUES GIVEN ARE MINIMUM, (2 CYCLES PER SECOND AND 150% ACTUATION FORCE), PER EIA-448 METHODS 8 AND 9
 VIBRATION, PER EIA 364-28D, CONDITION VII, LEVEL E, DURATION 1.5 HOURS
 MECHANICAL SHOCK, PER EIA-364-27C, CONDITION A

ENVIRONMENTAL:

OPERATING TEMPERATURE, -20 to +80 degrees C
 STORAGE TEMPERATURE, -40 to 85 degrees C.
 HUMIDITY AND TEMPERATURE CYCLING PER EIA-364-31B, METHOD III
 THERMAL SHOCK, PER EIA-364-32C, -35 TO +85 DEGREES C
 SOLDERABILITY, PER EIA-364-52, CLASS 2, CATEGORY 1, TEMP, 245 DEGREES C MAX, TIME, 2.5 SECONDS MAX, 95% MINIMUM COVERAGE
 RESISTANCE TO SOLDER HEAT, PER 109-201 COND B
 NO CHANGE IN INITIAL ELECTRICAL AND MECHANICAL CHARACTERISTICS
 SEALED PER EIA RS-448-2, METHOD 16, FLUXING- METHOD B,
 SOLDERING TIME- METHOD 3, CLEANING- METHOD 3, SOLUTION 4
 SWITCH WILL PASS EXTENDED LIFE COMPRESSION TEST (SIMULATING 10 YEARS COMPRESSED AT MAX TRAVEL), REFERENCE TYCO 109-1098 SPECIFICATION.
 1 SECOND MAX RELEASE AFTER TEST

- ALL MATERIALS AND FINISHES SHALL COMPLY WITH EU DIRECTIVE 2002/95/EC OF 27JAN2003 (ROHS):
- TAPE AND REEL PACKAGING PER EIA-481.

TAPE & REEL	5,000,000	160±50GF	1825107-1
PACKAGING	CYCLE LIFE	FORCE	PART NUMBER

THIS DRAWING IS A CONTROLLED DOCUMENT.		DWN RAGHAVENDRA 21MAY2008	TE Connectivity	
DIMENSIONS: mm		CHK M.SERVER 21MAY2008	NAME TACTICLE SWITCH 6X6 mm J-LEAD, SURFACE MOUNT W/SOFT ACTUATOR	
TOLERANCES UNLESS OTHERWISE SPECIFIED:		APVD M.SERVER 21MAY2008	DRAWING NO A2 00779 C=1825107	
0 PLC ± -		PRODUCT SPEC	RESTRICTED TO	
1 PLC ± -		APPLICATION SPEC	-	
2 PLC ± 0.30		WEIGHT	-	
3 PLC ± -		CUSTOMER DRAWING	SCALE 6:1 SHEET 1 of 1 REV B	
4 PLC ± -				
ANGLES ± -				
MATERIAL SEE SPECIFICATIONS		FINISH SEE SPECIFICATIONS		