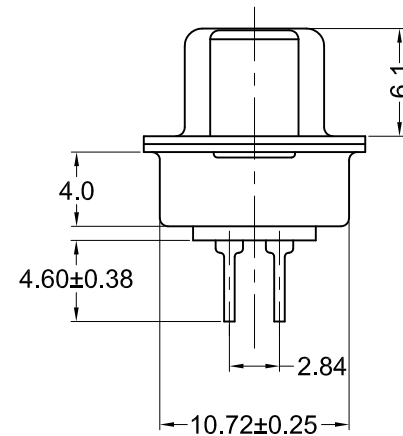
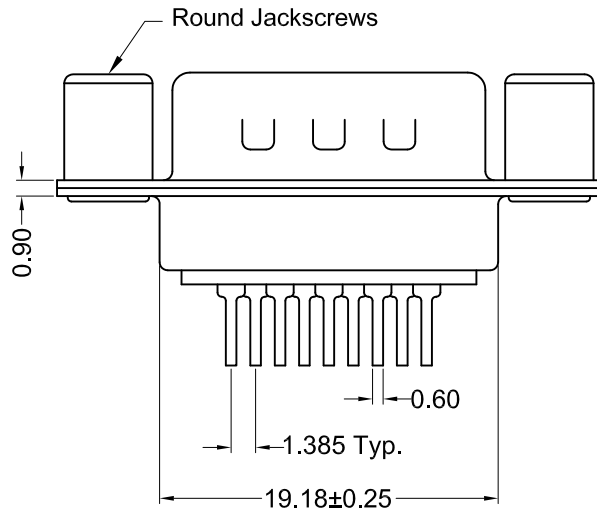


Recommended PCB Layout  
(Top View)



**Material and Finish**

- Shell: Steel, Nickel plated
- Insulator: PBT thermoplastic with glass-fiber reinforcement, UL94V-0 rated  
Color: Black
- Contact Material:  
Plug - Brass
- Contact Plating Options:  
Standard: gold flash on mating end, tin on termination end, nickel underplate on entire contact
- 15 Option: 15u" gold on mating end, tin on termination end, nickel underplate on entire contact
- 30 Option: 30u" gold on mating end, tin on termination end, nickel underplate on entire contact

**Electrical Specifications**

- Rated Current: 2A
- Rated Voltage: 30V RMS
- Insulation Resistance:  
more than 1000 megohms at 500V DC
- Contact Resistance:  
13 milliohms max.
- Dielectric Withstanding Voltage:  
1000V for 1 minute
- Operating Temperature:  
-55°C to +105°C

Part Number	Contact Area Plating Finish
K85X-ED-9P-R	Gold Flash (standard)
K85X-ED-9P-R15	15u" Gold (15 option)
K85X-ED-9P-R30	30u" Gold (30 option)



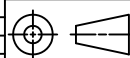
Tolerances
X.X ± 0.25
X.XX ± 0.15
Unless Stated Otherwise

REV.	DATE	DESCRIPTION	REV. BY	CHK. BY	DRAWN BY	DATE
A1	02/25/09	New Drawing	S. Vien	H. MA		
A2	12/31/17	ECO #17-030	G. Serrato	C. Furumasu	S. Vien	01/19/09

**K85X-ED-9P-R**

D-Sub, Vertical, PCB Mount, RoHS Compliant

9 Pin Male, Round Jackscrews



UNITS  
mm