



LAYOUT SHOWN AS EXAMPLE

Keying Shown as example

CHARACTERISTICS

- Standard : Based on MIL-DTL-38999 Series III
- Shell Material : Composite
- Shell Plating : Nickel
- Insulator : Thermoplastic
- Contacts : Copper Alloy
- Seals & Grommet : Silicon Elastomer
- Contact Plating : Gold over copper Alloy 0.8µm minimum
- Durability : 500 Mating cycles
- Delivered without Souriau contacts
- Temperature Range : -65°C to +200°C
- Salt Spray : 2000 hours
- Mass : 19.2 g ± 10%

Connector dimension	
Dim	Nominal
P	3.25±0.2
PP	4.93±0.2
R1	26.97
R2	24.61
S	33.3±0.3
V'	19.5+1.4/-0
W'	2.1/3.65
Z'	32 Max
VV THREAD	M25x1-6g

SOURIAU shall not be liable for any non-conformity or damage due to a use of the Products which does not comply with the Specifications issued by either of the Parties or by a third party (professional recommendation, technical notice.)

Country	Jurisdiction & Control List
FR	Not Listed

PN: 8D017M35PCL

B	11-04-17	Drawing Update	
ISS	DATE	Latest modification - by	MOD N°
Designed By:		Date:	CUSTOMER DRAWING
TITLE	Composite Receptacle 8D series		
SCALE	NA	General linear Tolerances: ±--	NPRDS / PROJECT 859
SOURIAU	WWW.SOURIAU.COM		This document is the property of SOURIAU it must not be reproduced or communicated without permission
FORMAT	A3		SOURIAU DRG N° 8D017M35PCL-C SHEET 1/2

BASIC SERIES: 8D 0 - 17 M 35 P C L

SHELL TYPE : Square Flange Receptacle Delivered W/O Contacts

CONTACT TYPE : Standard Crimp Contact ORIENTATION : C

SHELL SIZE : 17 CONTACT TYPE : PIN(500 Matings)

PLATING : M = Nickel CONTACT LAYOUT : 17-35

Contact Layout

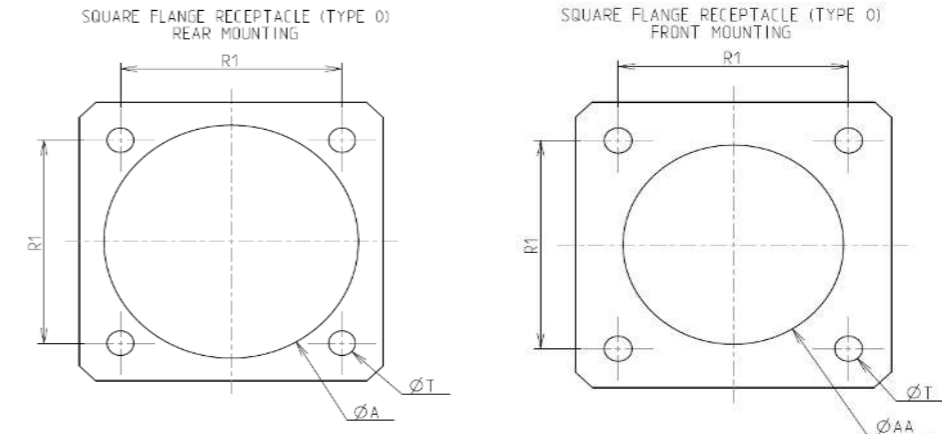


Contacts (Insert arrangement 17-35)					
Contact position ID	Location		Contact position ID	Location	
	X-axis (mm)	Y-axis (mm)		X-axis (mm)	Y-axis (mm)
1	-312 (7.92)	+086 (2.18)	29	000 (0.00)	-094 (2.39)
2	-312 (7.92)	-004 (0.10)	30	000 (0.00)	-184 (4.67)
3	-312 (7.92)	-094 (2.39)	31	000 (0.00)	-274 (6.96)
4	-242 (6.15)	+221 (5.61)	32	+089 (2.26)	+316 (8.03)
5	-234 (5.94)	+131 (3.33)	33	+078 (1.98)	+221 (5.61)
6	-234 (5.94)	+041 (1.04)	34	+078 (1.98)	+131 (3.33)
7	-234 (5.94)	-049 (1.24)	35	+078 (1.98)	+041 (1.04)
8	-234 (5.94)	-139 (3.53)	36	+078 (1.98)	-049 (1.24)
9	-234 (5.94)	-229 (5.82)	37	+078 (1.98)	-139 (3.53)
10	-172 (4.37)	+279 (7.09)	38	+078 (1.98)	-229 (5.82)
11	-156 (3.96)	+176 (4.47)	39	+078 (1.98)	-319 (8.10)
12	-156 (3.96)	+086 (2.18)	40	+172 (4.37)	+279 (7.09)
13	-156 (3.96)	-004 (0.10)	41	+156 (3.96)	+176 (4.47)
14	-156 (3.96)	-094 (2.39)	42	+156 (3.96)	+086 (2.18)
15	-156 (3.96)	-184 (4.67)	43	+156 (3.96)	-004 (0.10)
16	-156 (3.96)	-274 (6.96)	44	+156 (3.96)	-094 (2.39)
17	-089 (2.26)	+316 (8.03)	45	+156 (3.96)	-184 (4.67)
18	-078 (1.98)	+221 (5.61)	46	+156 (3.96)	-274 (6.96)

Contacts (Insert arrangement 17-35)					
Contact position ID	Location		Contact position ID	Location	
	X-axis (mm)	Y-axis (mm)		X-axis (mm)	Y-axis (mm)
19	-078 (1.98)	+131 (3.33)	47	+242 (6.15)	+221 (5.61)
20	-078 (1.98)	+041 (1.04)	48	+234 (5.94)	+131 (3.33)
21	-078 (1.98)	-049 (1.24)	49	+234 (5.94)	+041 (1.04)
22	-078 (1.98)	-139 (3.53)	50	+234 (5.94)	-049 (1.24)
23	-078 (1.98)	-229 (5.82)	51	+234 (5.94)	-139 (3.53)
24	-078 (1.98)	-319 (8.10)	52	+234 (5.94)	-229 (5.82)
25	000 (0.00)	+329 (8.36)	53	+312 (7.92)	+086 (2.18)
26	000 (0.00)	+176 (4.47)	54	+312 (7.92)	-004 (0.10)
27	000 (0.00)	+086 (2.18)	55	+312 (7.92)	-094 (2.39)
28	000 (0.00)	-004 (0.10)	---	---	---

Shell size	Arrangement no.	Number of contacts	Size contacts	Service rating	Contact location	Supersedes
17	-35	55	22D	M	All	MS27529-35

Panel Cutout



Max. thickness panel for receptacle: Type 0: front mounting = 3.2 mm, rear mounting = 2.5 mm

Dim	Nominal
ØA	30.96 min
ØAA	25.81 min
R1	26.97
ØT	3.25 ±0.13

SOURIAU shall not be liable for any non-conformity or damage due to a use of the Products which does not comply with the Specifications issued by either of the Parties or by a third party (professional recommendation, technical notice.)

Country	Jurisdiction & Control List
FR	Not Listed

PN: 8D017M35PCL

B	11-04-17	Drawing Update	
ISS	DATE	Latest modification - by	MOD N°
Designed By:		Date:	CUSTOMER DRAWING
TITLE		Composite Receptacle 8D series	
SCALE	NA	General linear Tolerances: ±--	NPRDS / PROJECT 859
SOURIAU		WWW.SOURIAU.COM	
FORMAT		SOURIAU DRG N° 8D017M35PCL-C	
A3		SHEET 2/2	

This document is the property of SOURIAU it must not be reproduced or communicated without permission