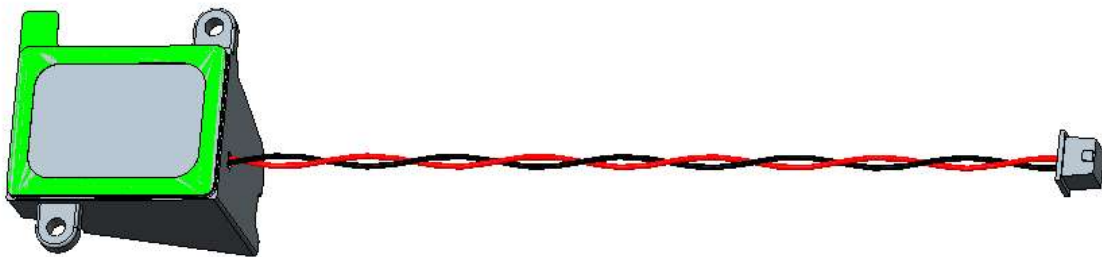


Speaker Box

with Grand speaker inside

Order No.: BOX1-15121-L

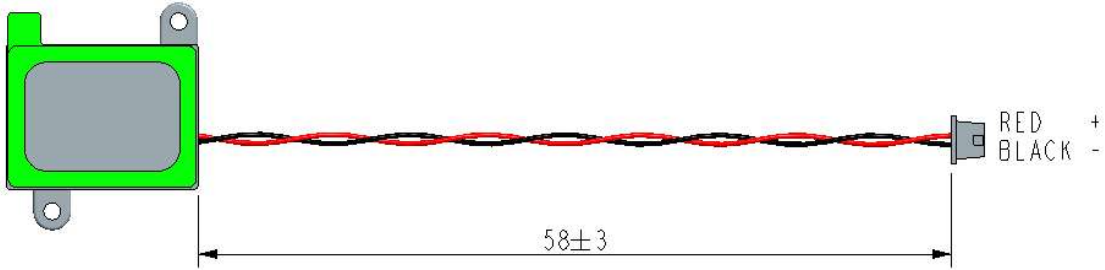
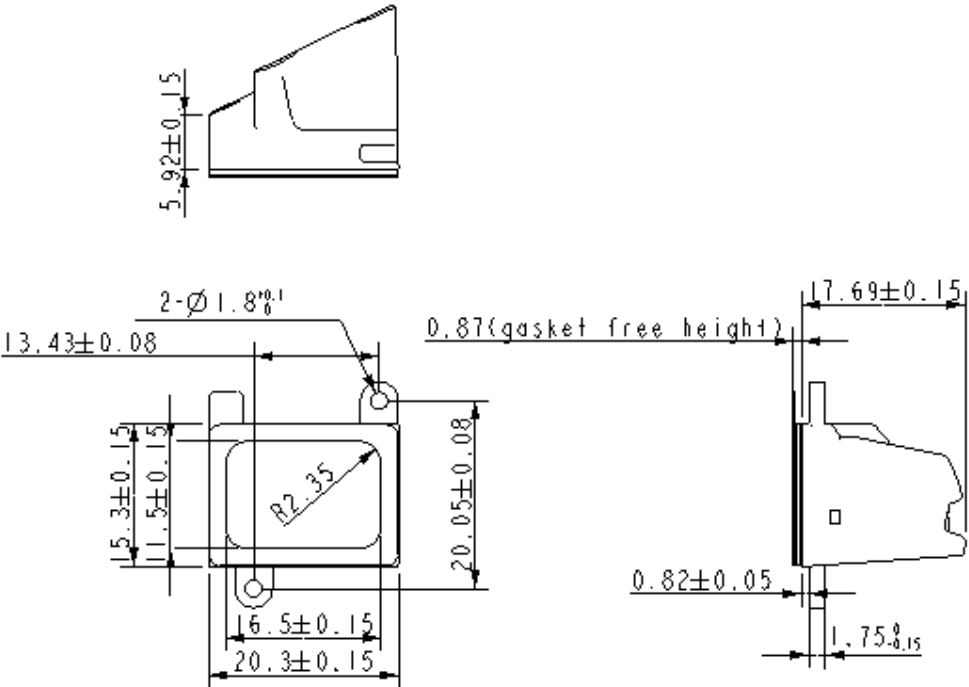


Revision

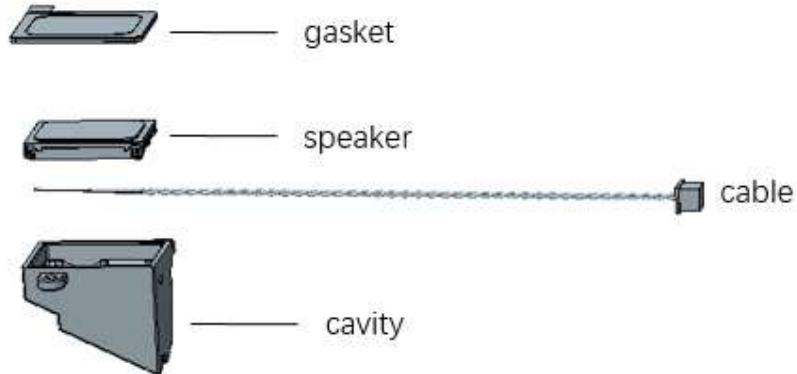
Date	Version	Status	Changes	Approver
2016/08/08	V0.1	draft	First release	Jay
2017/10/11	V0.2	draft	Use new template	Jay

1. Mechanical Characteristics

1.1. Mechanical Drawing for speaker box (in mm)



1.2. Exploded view



Missing information see specification Knowles Doc. 2403-260-00071

1.3. Stamp on Product

T.B.D

1.4. Material List

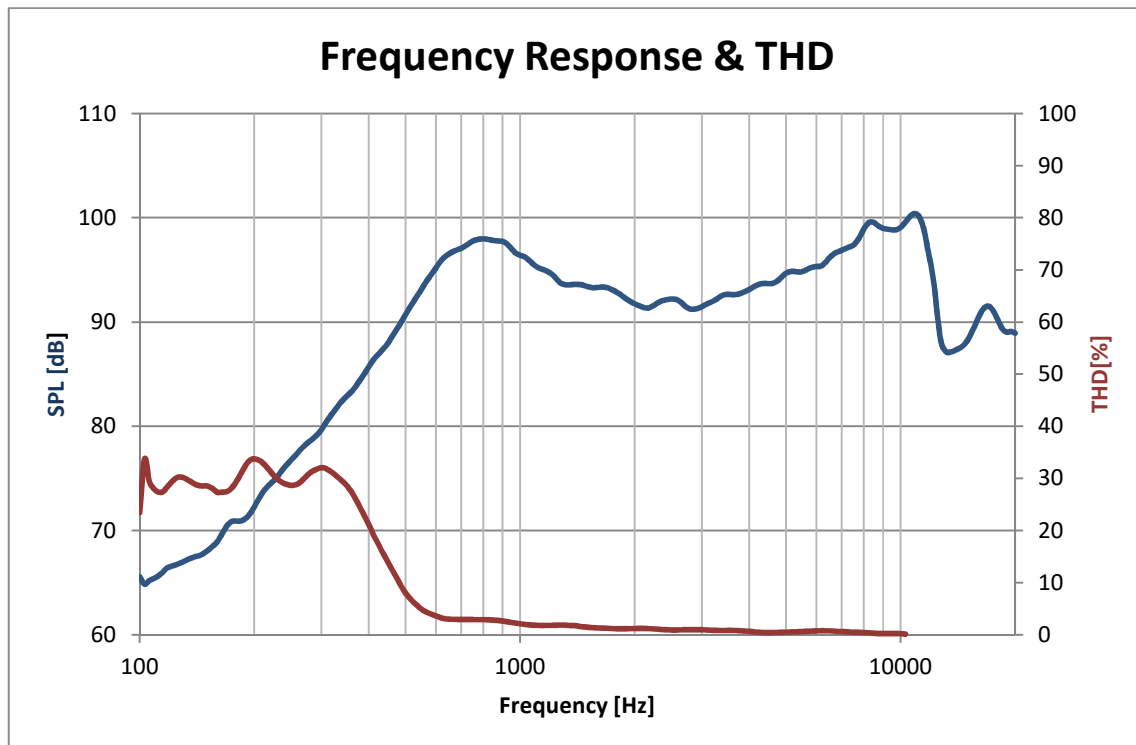
Speaker see specification	2403-260-00071
Gasket	Nitto 5605 & B045 & 92-25021
Cable	MOLEX-2P-1.25
Cavity	ABS/PC

2. Electro-acoustic Characteristics

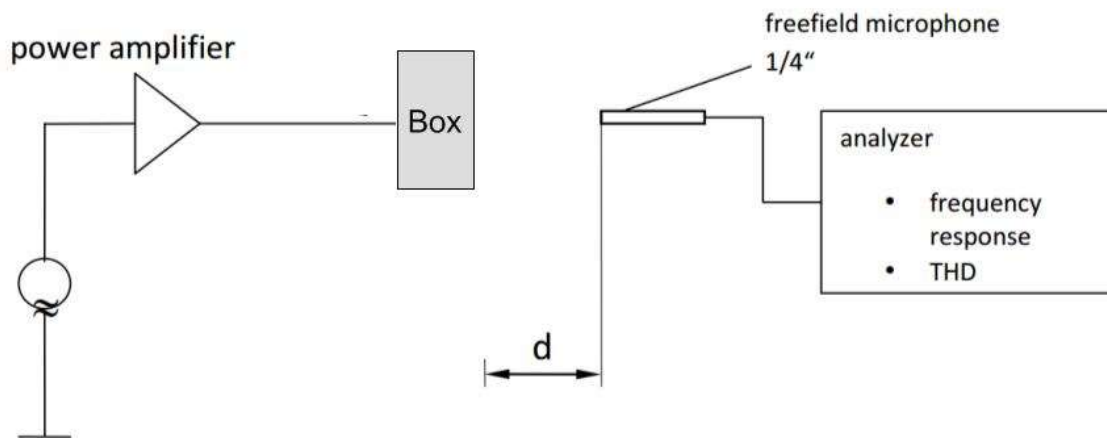
2.1. Frequency Response & THD

Typical frequency response & THD test in baffle according to 2.2.

(Sine sweep @400mW, 3.16cm)



2.2. Measurement Setup



2.3. Electro-acoustic characteristics

- | | |
|---|-----------------------------------|
| 1. Rated impedance | Z: 8 Ω |
| 2. Core speaker resonance frequency(1ccm) | f ₀ : 700Hz \pm 7.5% |
| 3. THD | ACC. To 2.1. |
| 4. Rub & Buzz (at 350Mw) | no audible Rub & Buzz |