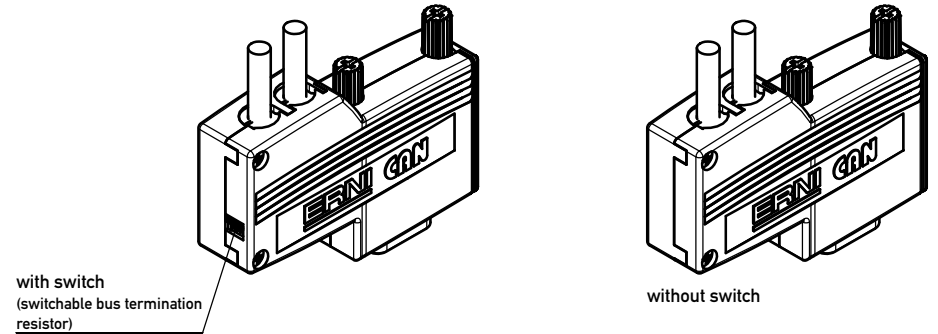
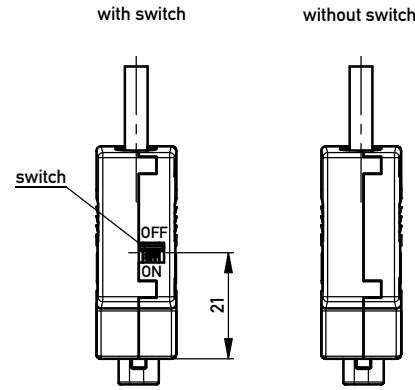
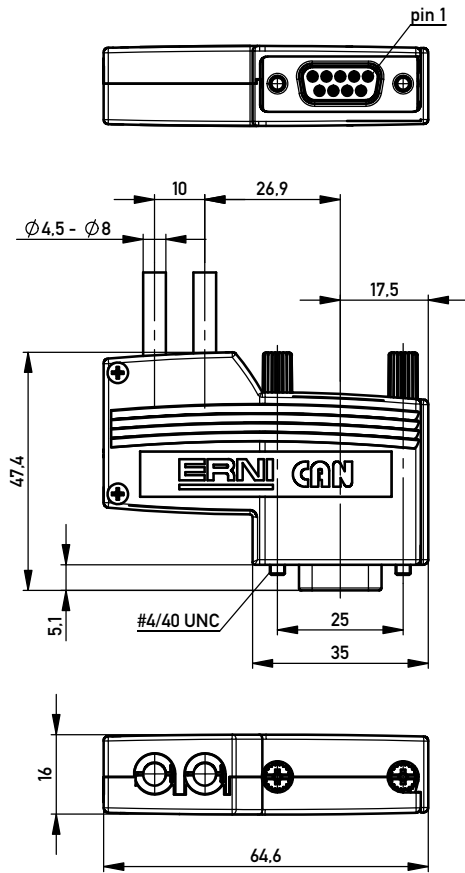


ERbic CAN, vertical



154824	Switch	without	Screw clamp 6 pin	anthracite	CAN high, low, ground (HLG)	#4-40 UNC
103652	Node		Screw clamp 10 pin		CAN signals incl. power supply	
103669			Screw clamp 10 pin		CAN signals incl. power supply	
103653	Termination		Screw clamp 5 pin	green	CAN signals incl. power supply	
Part number	Type	Programming interface (PU)	Cable termination	Colour	Signals / Power supply	Fastening screw thread

Notes:

1. Operating temperature: -20°C / +70°C
2. Protection class: IP40
3. Sealing plate: Drawing number 103356.

Copyright by ERNI GmbH Proprietary notice pursuant to ISO 16016 to be observed.	Information:	Tolerances	Scale 1:1 Angaben zu entsprechender Ident-Nr. siehe Fertigungsunterlagen. For further information about I.D. number see manufacturing document.
	All rights reserved. Only for Information. To ensure that this is the latest version of this drawing, please contact one of the ERNI companies before using.	Subject to modification without prior notice. Drawing will not be updated.	Designation <b>ERbic vertical CAN</b> <i>General plan</i>
	www.ERNI.com	<b>324267</b>	
Index	Date	Class	ERBIC