

SAC-5P-P12MS/ 1,5-PUR/P12FR - Sensor/actuator cable



1224223

<https://www.phoenixcontact.com/pc/products/1224223>

Please be informed that the data shown in this PDF document is generated from our online catalog. Please find the complete data in the user documentation. Our general terms of use for downloads are valid.



Sensor/actuator cable, 5-position halogen-free, Plug straight M12, coding: A Push Pull, connected with unwired, on Socket angled M12, coding: A Push Pull, cable length: 1.5 m

Your advantages

- Easy and safe: 100% electrically tested plug-in components
- Save time, thanks to installation with push-pull fast locking

Commercial data

Item number	1224223
Packing unit	1 pc
Minimum order quantity	1 pc
Product key	BF1CDC
GTIN	4063151314835
Weight per piece (including packing)	78.2 g
Weight per piece (excluding packing)	78.2 g
Customs tariff number	85444290
Country of origin	PL

SAC-5P-P12MS/ 1,5-PUR/P12FR - Sensor/actuator cable



1224223

<https://www.phoenixcontact.com/pc/products/1224223>

Technical data

Product properties

Product type	Sensor/actuator cable
Number of positions	5
Application	Standard
No. of cable outlets	1
Shielded	no
Coding	A

Insulation characteristics

Overvoltage category	II
Degree of pollution	3

Material specifications

Material	PK
	PA
Flammability rating according to UL 94	V0
Seal material	FKM
Material of grip body	TPU, hardly inflammable, self-extinguishing
Contact material	CuSn
Contact surface material	Ni/Au
Material for screw connection	Brass, nickel-plated

Electrical properties

Contact resistance	$\leq 5 \text{ m}\Omega$
Insulation resistance	$\geq 100 \text{ M}\Omega$
Nominal voltage U_N	48 V AC
	60 V DC
Nominal current I_N	4 A
Protective circuit	unwired

Mechanical properties

Mechanical data

Insertion/withdrawal cycles	≥ 100
-----------------------------	------------

Signaling

Status display	No
Status display present	No

Connector

Connection 1

Type	Plug straight M12 Push Pull
------	-----------------------------

SAC-5P-P12MS/ 1,5-PUR/P12FR - Sensor/actuator cable

1224223

<https://www.phoenixcontact.com/pc/products/1224223>

Number of positions	5
Coding type	A
Number of positions	5
Locking type	Push Pull


Connection 2

Type	Socket angled M12 Push Pull
Number of positions	5
Coding type	A
Number of positions	5
Locking type	Push Pull

Cable/line

Cable length	1.5 m
--------------	-------

PUR halogen-free black [PUR]

Dimensional drawing	
Cable weight	33 kg/km
UL AWM Style	20549
Number of positions	5
Shielded	no
Cable type	PUR halogen-free black [PUR]
Conductor structure signal line	42x 0.10 mm
AWG signal line	22
Conductor cross section	5x 0.34 mm ² (Signal line)
Wire diameter incl. insulation	1.27 mm 0.05 mm (Signal line)
External cable diameter	4.55 mm ±0.15 mm
Outer sheath, material	PUR
External sheath, color	black-gray RAL 7021
Conductor material	Bare Cu litz wires
Material wire insulation	PP
Single wire, color	brown, white, blue, black, green-yellow
Thickness, insulation	approx. 0.5 mm
Max. conductor resistance	max. 58 Ω/km (at 20 °C)
Insulation resistance	≥ 16 GΩ*km (at 20 °C)
Nominal voltage, cable	300 V
Test voltage	3000 V
Smallest bending radius, fixed installation	23 mm

SAC-5P-P12MS/ 1,5-PUR/P12FR - Sensor/actuator cable



1224223

<https://www.phoenixcontact.com/pc/products/1224223>

Smallest bending radius, movable installation	46 mm
Max. bending cycles	4000000
Halogen-free	in accordance with DIN VDE 0472 part 815
Flame resistance	in accordance with UL 758/1581 FT2 DIN EN 60332-2-2 (20 s)
Resistance to oil	in accordance with DIN EN 60811-2-1
Other resistance	Highly resistant to acids, alkaline solutions and solvents hydrolysis and microbe resistant Resistant to salt water partly UV-resistant in accordance with DIN EN ISO 4892-2-A
Special properties	Flexible cable conduit capable Silicone-free Free of substances which would hinder coating with paint or varnish flexible
Ambient temperature (operation)	-40 °C ... 80 °C (cable, fixed installation) -25 °C ... 80 °C (Cable, flexible installation)

Environmental and real-life conditions

Ambient conditions

Degree of protection	IP65 IP67
Ambient temperature (operation)	-25 °C ... 85 °C (Plug / socket)

Standards and regulations

Standard designation	M12-Push-Pull
Standards/specifications	IEC 61076-2-010

SAC-5P-P12MS/ 1,5-PUR/P12FR - Sensor/actuator cable



1224223

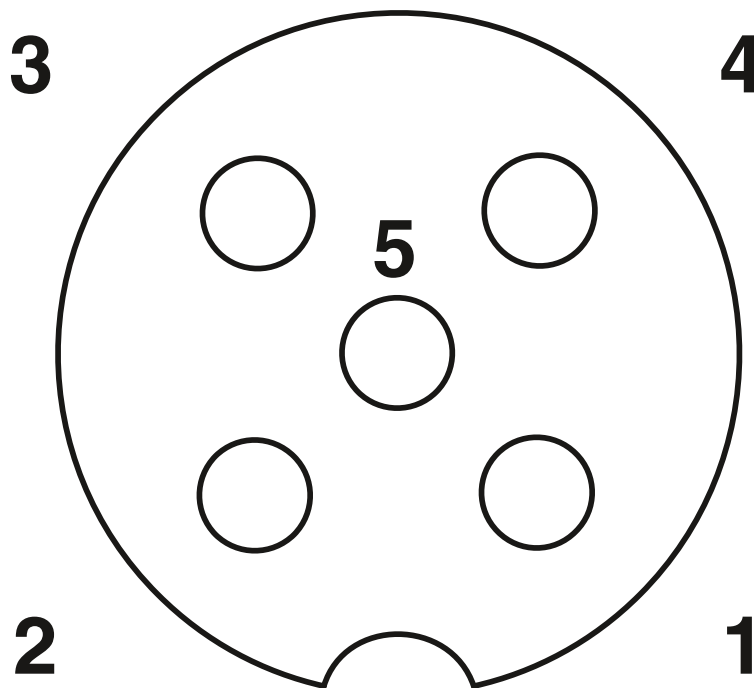
<https://www.phoenixcontact.com/pc/products/1224223>

Drawings

Circuit diagram



Schematic diagram



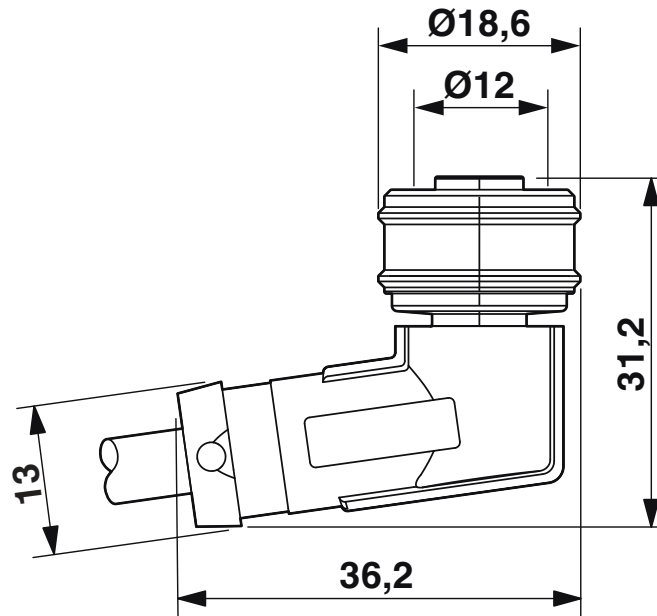
Pin assignment socket M 12

SAC-5P-P12MS/ 1,5-PUR/P12FR - Sensor/actuator cable

1224223

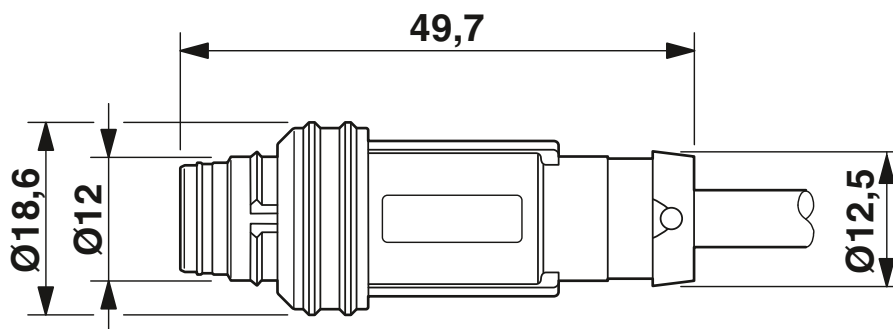
<https://www.phoenixcontact.com/pc/products/1224223>

Dimensional drawing



M12 push-pull female connector, angled

Dimensional drawing



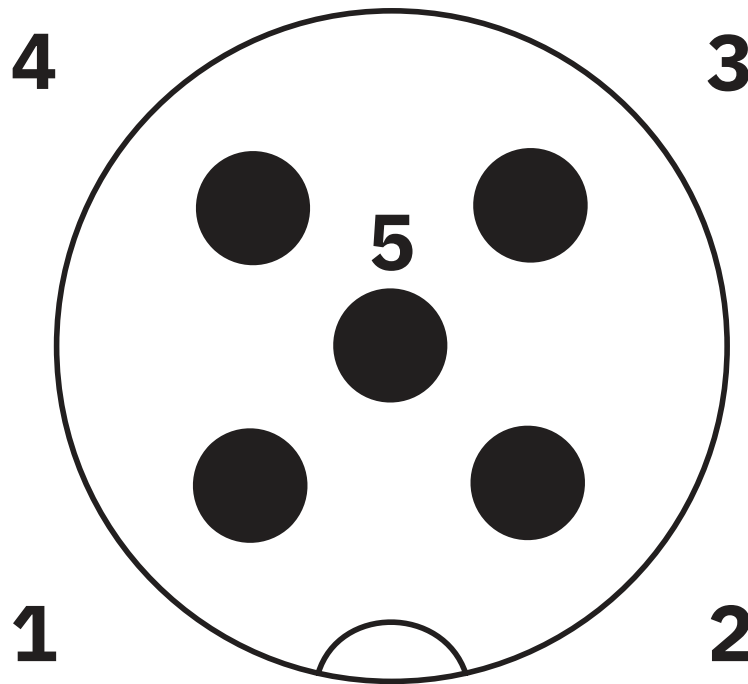
M12 push-pull male connector, straight

SAC-5P-P12MS/ 1,5-PUR/P12FR - Sensor/actuator cable

1224223

<https://www.phoenixcontact.com/pc/products/1224223>

Schematic diagram



Pin assignment M12 male connector

SAC-5P-P12MS/ 1,5-PUR/P12FR - Sensor/actuator cable



1224223

<https://www.phoenixcontact.com/pc/products/1224223>

Classifications

ECLASS

ECLASS-11.0	27060311
ECLASS-12.0	27060311
ECLASS-13.0	27060311

ETIM

ETIM 8.0	EC001855
----------	----------

UNSPSC

UNSPSC 21.0	26121600
-------------	----------

SAC-5P-P12MS/ 1,5-PUR/P12FR - Sensor/actuator cable



1224223

<https://www.phoenixcontact.com/pc/products/1224223>

Environmental product compliance

China RoHS	Environmentally friendly use period: unlimited = EFUP-e
	No hazardous substances above threshold values

Phoenix Contact 2023 © - all rights reserved
<https://www.phoenixcontact.com>

PHOENIX CONTACT GmbH & Co. KG
Flachmarktstraße 8
D-32825 Blomberg
+49 (0) 5235-3 00
info@phoenixcontact.com