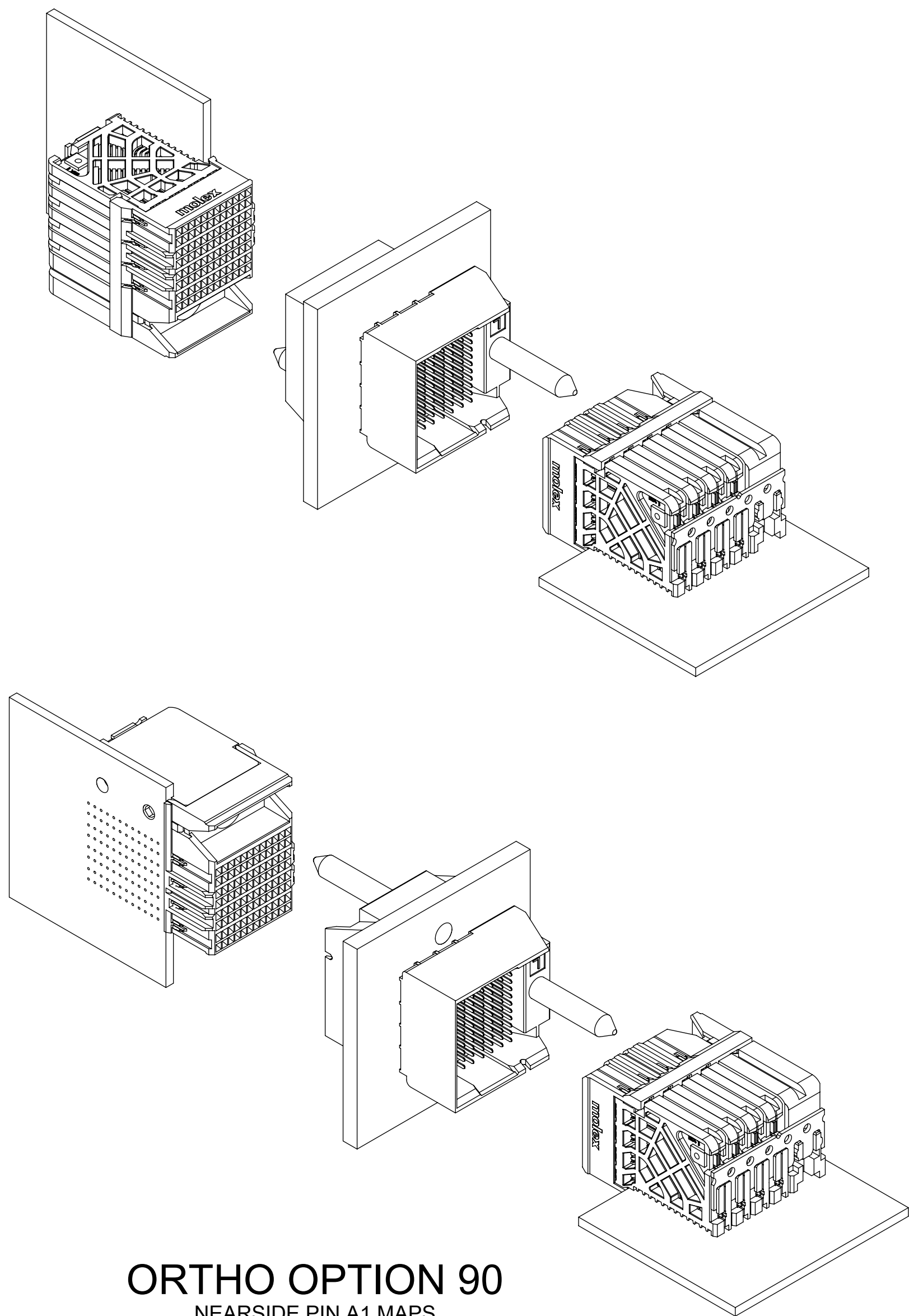


- NOTES:**
- MATERIALS: HOUSING - LIQUID CRYSTAL POLYMER (LCP) GLASS-FILLED, UL94V-0  
TERMINALS - HIGH PERFORMANCE COPPER ALLOY
  - FINISH: 30µ MIN GOLD IN CONTACT AREA.  
SELECTIVE TIN OR TIN-LEAD ON PCB TAILS.  
NICKEL OVERALL.
  - REFER TO MOLEX PRODUCT SPECIFICATION PS-76060-999 FOR PERFORMANCE SPECIFICATIONS AND ADDITIONAL PCB INFORMATION.
  - THIS PART CONFORMS TO CLASS B REQUIREMENTS OF COSMETIC SPEC PS-45499-002.
  - PRODUCT IS PACKAGED PER PK-70873-763.
  - SEE SHEETS 2 AND 3 FOR PART NUMBERS AND ORTHOGONAL PIN MAPPING.
  - REFER TO MOLEX SALES DRAWING SD-76860-002 FOR THE MATING RECEPTACLES.
  - THE KEEP-OUT ZONE FOR THE PART LENGTH INCLUDES AN ADDITIONAL 1.0mm TO ACCOMMODATE FOR SPACE REQUIRED BY THE DAUGHTERCARD ASSEMBLY.
  - REFER TO MOLEX ROUTING GUIDE AS-76850-990 FOR ADDITIONAL PCB LAYOUT AND ROUTING RECOMMENDATIONS.
  - CONNECTORS ARE SUPPLIED WITH A 2-56 UNC-2A SCREW.
  - "THESE DIMENSIONS REPRESENT THE AREA NEEDED TO ACCOMODATE CONNECTOR INSERTION AND REPAIR ON THE PC BOARD. THIS DOES NOT REPRESENT THE ACTUAL PERIMETER OF THE CONNECTOR."

QUALITY SYMBOLS	THIS DRAWING CONTAINS INFORMATION THAT IS PROPRIETARY TO MOLEX ELECTRONIC TECHNOLOGIES, LLC AND SHOULD NOT BE USED WITHOUT WRITTEN PERMISSION		DIMENSION UNITS	SCALE	<b>molex</b>
			mm	4:1	
MIGRATED TO NX	EC NO: 123283	2017/10/17	GENERAL TOLERANCES (UNLESS SPECIFIED)	DRWN BY	DATE
	DRWN: ABN	2017/10/17	ANGULAR TOL ± 0.5 °	ARIZVI01	2013/04/01
E3	CHKD: ABN	2017/10/18	4 PLACES ±	CHKD BY	DATE
	REV / APPR: PRAMASWAMY		3 PLACES ±	PRAMASWAMY	2017/10/13
			2 PLACES ± 0.13	APPR BY	DATE
			1 PLACE ± 0.25	TELO	2015/03/24
			0 PLACES ±	DRAWING SIZE	THIRD ANGLE PROJECTION
			DRAFT WHERE APPLICABLE MUST REMAIN WITHIN DIMENSIONS	C	
				SERIES	MATERIAL NUMBER
				76855	SEE CHART
				DOCUMENT NUMBER	DOC TYPE
				SD-76855-002	PSD
				DOC PART	SHEET NUMBER
				001	1 OF 3

# ORTHO OPTION 270

NEAR SIDE PIN A1 MAPS  
TO FAR SIDE PIN A1



# ORTHO OPTION 90

NEAR SIDE PIN A1 MAPS  
TO FAR SIDE PIN J6  
(FOR SQUARE PATTERN)

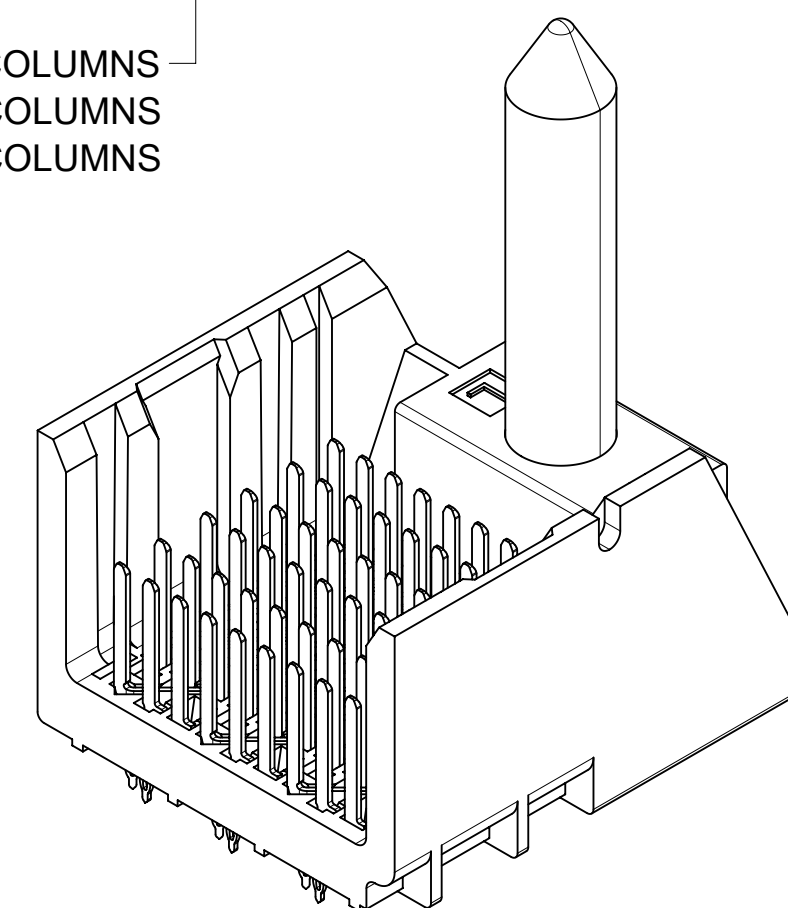
MATERIAL NUMBER	# OF COLUMNS	# OF DIFF PAIR	MODULE TYPE	DIM A	DIM B	DIM C
76855-*60*	6	18	NO ENDWALL	18.9	10.00	10.40
76855-*60*	6	18	WITH ENDWALL	20.3	10.00	10.40
76855-*80*	8	24	NO ENDWALL	22.9	14.05	14.45
76855-*80*	8	24	WITH ENDWALL	24.3	14.05	14.45

76855- \* \* 0 \*

MODULE & TAIL PLATING TYPE  
 2 = GUIDE LEFT NO ENDWALL, TIN/LEAD  
 3 = GUIDE LEFT NO ENDWALL, TIN  
 6 = GUIDE LEFT ENDWALL, TIN/LEAD  
 7 = GUIDE LEFT ENDWALL, TIN

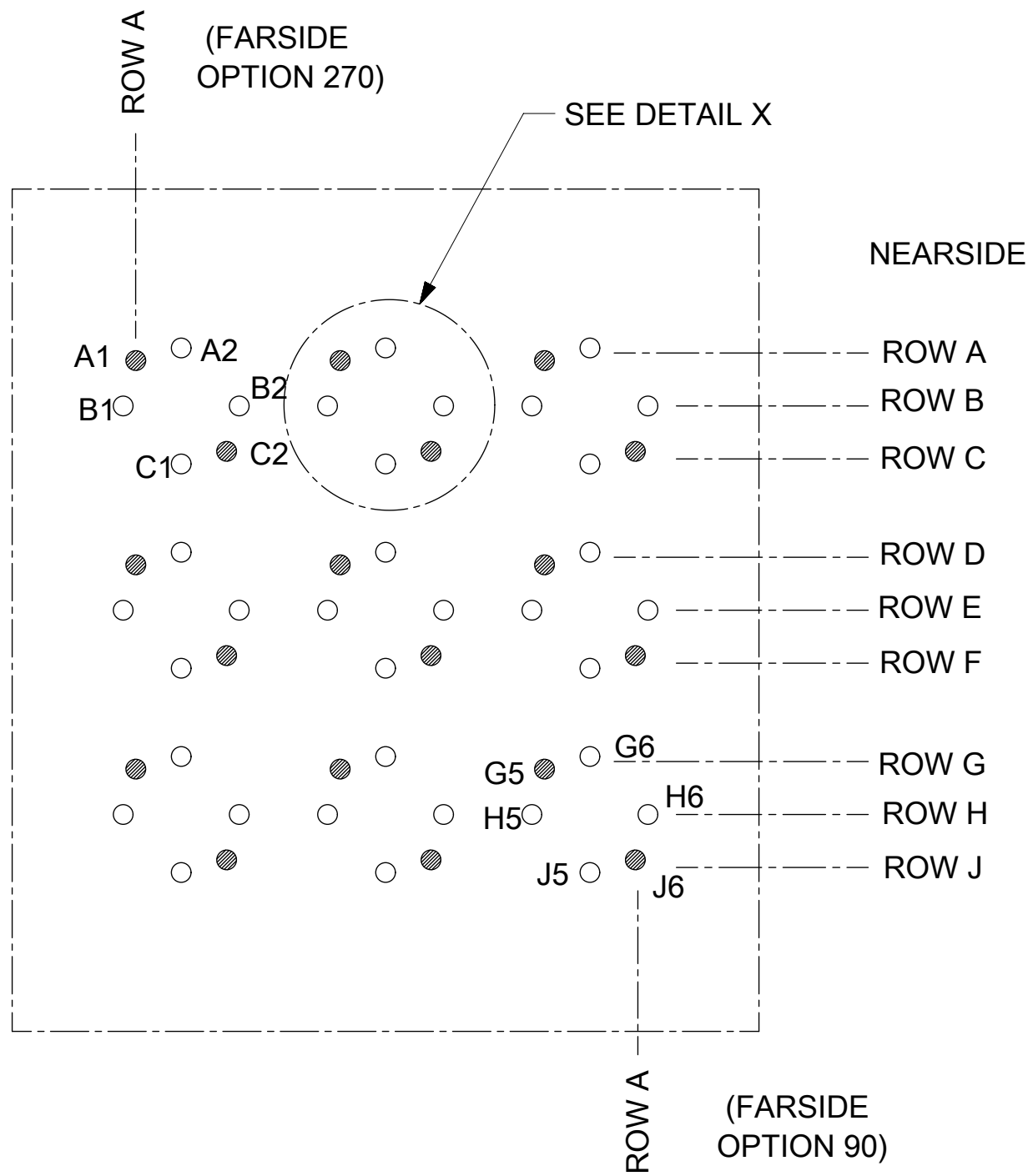
PIN LENGTH (P)  
 4 = 4.90 (0.46 PTH)  
 5 = 5.50 (0.46 PTH)  
 7 = 4.90 (0.39 PTH)  
 8 = 5.50 (0.39 PTH)

# OF COLUMNS  
 6 = 6 COLUMNS  
 8 = 8 COLUMNS

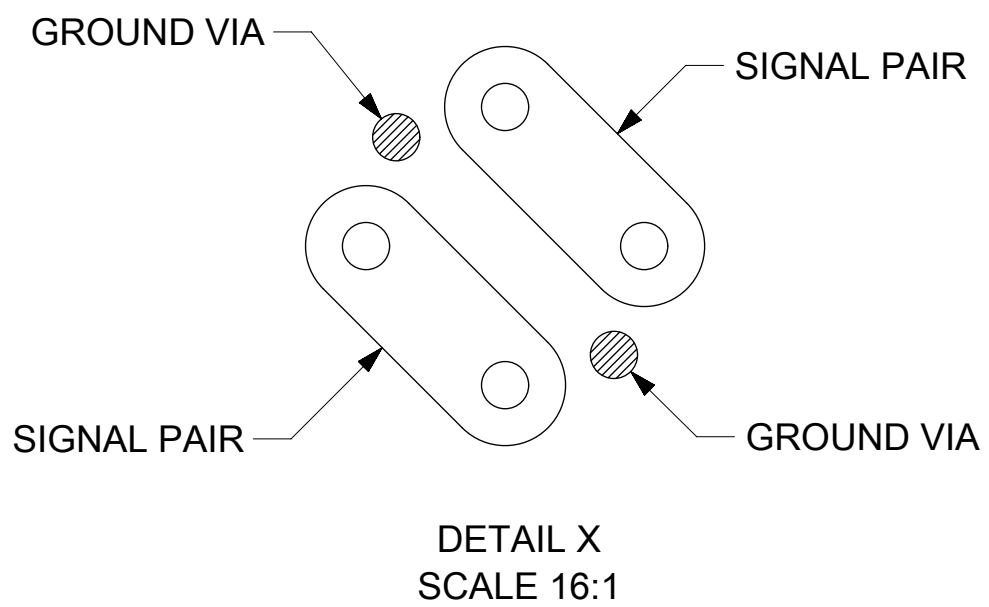


OPEN END OPTION

QUALITY SYMBOLS	THIS DRAWING CONTAINS INFORMATION THAT IS PROPRIETARY TO MOLEX ELECTRONIC TECHNOLOGIES, LLC AND SHOULD NOT BE USED WITHOUT WRITTEN PERMISSION										
▽ = 0	EC NO: 123283 DRWN: ABN CHKD: ABN APPR: PRAMASWAMY MIGRATED TO NX 2017/10/17 2017/10/17 2017/10/18	GENERAL TOLERANCES (UNLESS SPECIFIED)		DIMENSION UNITS	SCALE						
▽ = 0		ANGULAR TOL ± 0.5 °		mm	1:1						
▽ = 0		4 PLACES ±	ARIZV101		DATE	2013/04/01					
▼ = 0		3 PLACES ±	CHKD BY		DATE	PRAMASWAMY 2017/10/13					
▽ = 0		2 PLACES ± 0.13	APPR BY		DATE	TELO 2015/03/24					
▽ = 0		1 PLACE ± 0.25	DRAWING SIZE		THIRD ANGLE PROJECTION	C					
⊠ = 0		0 PLACES ±	DRAFT WHERE APPLICABLE MUST REMAIN WITHIN DIMENSIONS								
■ = 0		SERIES		MATERIAL NUMBER		CUSTOMER					
▽ = 0		E3		76855		SEE CHART		GENERAL MARKET			
		DOCUMENT NUMBER		DOC TYPE		DOC PART		SHEET NUMBER			
	SD-76855-002		PSD		001		2 OF 3				



### MIDPLANE PCB LAYOUT



ORTHO PIN MAPPING					
OPTION 270 (NEARSIDE - FARSIDE)					
A1-A1	A2-B1	A3-D1	A4-E1	A5-G1	A6-H1
B1-A2	B2-C1	B3-D2	B4-F1	B5-G2	B6-J1
C1-B2	C2-C2	C3-E2	C4-F2	C5-H2	C6-J2
D1-A3	D2-B3	D3-D3	D4-E3	D5-G3	D6-H3
E1-A4	E2-C3	E3-D4	E4-F3	E5-G4	E6-J3
F1-B4	F2-C4	F3-E4	F4-F4	F5-H4	F6-J4
G1-A5	G2-B5	G3-D5	G4-E5	G5-G5	G6-H5
H1-A6	H2-C5	H3-D6	H4-F5	H5-G6	H6-J5
J1-B6	J2-C6	J3-E6	J4-F6	J5-H6	J6-J6

ORTHO PIN MAPPING					
OPTION 90 (NEARSIDE - FARSIDE)					
A1-J6	A2-H6	A3-F6	A4-E6	A5-C6	A6-B6
B1-J5	B2-G6	B3-F5	B4-D6	B5-C5	B6-A6
C1-H5	C2-G5	C3-E5	C4-D5	C5-B5	C6-A5
D1-J4	D2-H4	D3-F4	D4-E4	D5-C4	D6-B4
E1-J3	E2-G4	E3-F3	E4-D4	E5-C3	E6-A4
F1-H3	F2-G3	F3-E3	F4-D3	F5-B3	F6-A3
G1-J2	G2-H2	G3-F2	G4-E2	G5-C2	G6-B2
H1-J1	H2-G2	H3-F1	H4-D2	H5-C1	H6-A2
J1-H1	J2-G1	J3-E1	J4-D1	J5-B1	J6-A1

NOTE: PINOUTS SHOWN IN BALLOONS ARE GROUNDS.  
PINOUTS SHOWN ARE FOR SQUARE (6 COLUMN) PATTERN ONLY.

QUALITY SYMBOLS	THIS DRAWING CONTAINS INFORMATION THAT IS PROPRIETARY TO MOLEX ELECTRONIC TECHNOLOGIES, LLC AND SHOULD NOT BE USED WITHOUT WRITTEN PERMISSION					
	EC NO: 123283 DRWN: ABN CHKD: ABN APPR: PRAMASWAMY REV: E3	2017/10/17 2017/10/17 2017/10/18	GENERAL TOLERANCES (UNLESS SPECIFIED) ANGULAR TOL ± 0.5 ° 4 PLACES ± 3 PLACES ± 2 PLACES ± 0.13 1 PLACE ± 0.25 0 PLACES ±	DIMENSION UNITS: mm SCALE: 1:1 DRWN BY: ARIZVI01 DATE: 2013/04/01 CHKD BY: PRAMASWAMY DATE: 2017/10/13 APPR BY: TELO DATE: 2015/03/24		
PRODUCT CUSTOMER DRAWING				SERIES: 76855	MATERIAL NUMBER: SEE CHART	CUSTOMER: GENERAL MARKET
DRAFT WHERE APPLICABLE MUST REMAIN WITHIN DIMENSIONS				DRAWING SIZE: C	THIRD ANGLE PROJECTION	DOCUMENT NUMBER: SD-76855-002 DOC TYPE: PSD DOC PART: 001 SHEET NUMBER: 3 OF 3