

AMPHENOL PART NUMBER CONFIGURATION

UE86-3G4420-X0X61

- LIGHT PIPE OPTION**
 0 - NO LIGHT PIPE
 1 - 4 LP PER 2X1, NORMAL ORIENTATION
 2 - 2 INNER LP PER 2X1, NORMAL ORIENTATION
 3 - 2 OUTER LP PER 2X1, NORMAL ORIENTATION
 4 - 4 LP PER 2X1, REVERSING ORIENTATION
 5 - 2 INNER LP PER 2X1, REVERSING ORIENTATION
 6 - 2 OUTER LP PER 2X1, REVERSING ORIENTATION
 7 - 3 LP PER 2X1, 2 OUTER LP, NORMAL ORIENTATION
 8 - 3 LP PER 2X1, 2 OUTER LP, REVERSING ORIENTATION

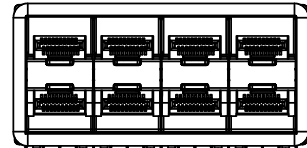
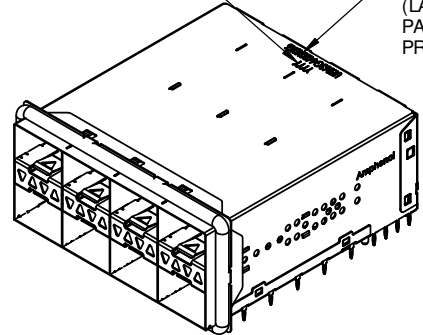
- PACKAGING**
 1 - TRAY PACKAGING (STACKED)

- PLATING OPTIONS FOR CONNECTOR**
 2 - 30µ" GOLD PLATING ON MATING AREA
 15~100µ" MATTE TIN ON TERMINATION
 3 - 30µ" GOLD PLATING ON MATING AREA
 150~300µ" MATTE TIN ON TERMINATION
 5 - 15µ" GOLD PLATING ON MATING AREA
 15~100µ" MATTE TIN ON TERMINATION
 6 - 15µ" GOLD PLATING ON MATING AREA
 150~300µ" MATTE TIN ON TERMINATION

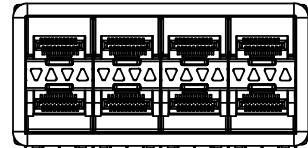
| REVISIONS | | | | |
|-----------|---------|------------------------------------|-----------|----------|
| REV. | ECN NO. | DESCRIPTION | DATE | APPROVED |
| D | | UPDATE NOTES | AUG 19/14 | J.SI |
| E | | CHANGED PCB THICKNESS | NOV 03/15 | J.SI |
| F | | REMOVED DIM. ZONE B1, SHEET 2 OF 5 | OCT31/16 | J.SI |

DATE CODE

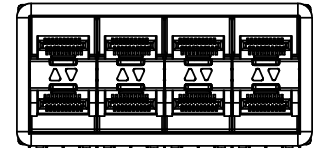
PART NUMBER
 (LAST DIGIT INDICATING
 PACKAGING TYPE, NOT
 PRINTED ON THE PART)



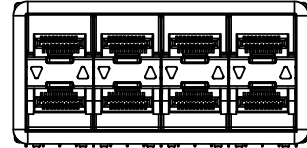
NO LIGHT PIPES
 UE86-3G4420-00X61



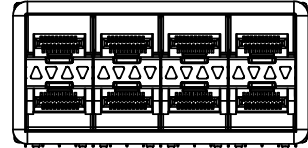
4 LIGHT PIPES
 UE86-3G4420-10X61



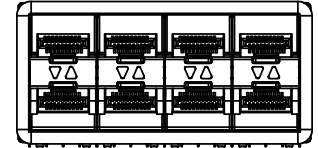
2 INNER LIGHT PIPES
 UE86-3G4420-20X61



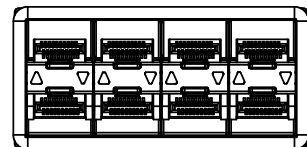
2 OUTER LIGHT PIPES
 UE86-3G4420-30X61



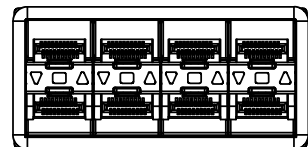
4 LIGHT PIPES UPSIDE DOWN
 UE86-3G4420-40X61



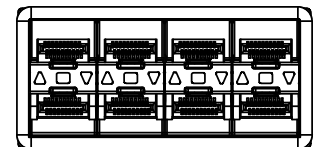
2 INNER LIGHT PIPES UPSIDE DOWN
 UE86-3G4420-50X61



2 OUTER LIGHT PIPES UPSIDE DOWN
 UE86-3G4420-60X61



3 LIGHT PIPES
 UE86-3G4420-70X61



3 LIGHT PIPES UPSIDE DOWN
 UE86-3G4420-80X61

MATERIAL: (RoHS COMPLIANT)

- CAGE - PRESS FIT: COPPER ALLOY (NICKEL SILVER)
- CONNECTOR - PRESS FIT:
 - PLASTIC HOUSING: LCP, FLAMMABILITY RATING UL94-V0
 - CONTACTS: PHOSPHOR BRONZE
- LIGHT PIPE: CLEAR POLYCARBONATE, FLAMMABILITY RATING UL94-V0
- PACKAGING: TRAY PACKAGING
- TEMPERATURE RANGE: -40°C TO +85°C
- EMI GASKET: CONDUCTIVE ELASTOMER UL94-V0



THIS DOCUMENT CONTAINS PROPRIETARY INFORMATION AND SUCH INFORMATION MAY NOT BE DISCLOSED TO OTHERS FOR ANY PURPOSE OR USED FOR MANUFACTURING PURPOSES WITHOUT WRITTEN PERMISSION FROM AMPHENOL CANADA CORP.

| | | | |
|-------------------------------|------------------------|----------------------|-----------|
| UNLESS SPECIFIED OTHERWISE | DRAWN | P. OU | SEP 03/13 |
| DIMENSIONS ARE IN MILLIMETERS | CHECKED | J. SI | NOV 03/15 |
| REFERENCE IN PARENTHESES | M.E. APPD | | |
| GENERAL TOLERANCES | Q.A. APPD | | |
| 1 DECIMAL PLACE ±0.25 | DWG APPD | J. SI | NOV 03/15 |
| 2 DECIMAL PLACE ±0.15 | MATERIAL AND FINISH | SEE NOTES | |
| 3 DECIMAL PLACE N/A | REF. | ECN Exxxx | |
| ANGULAR DEGREES ±1° | THIRD ANGLE PROJECTION | DO NOT SCALE DRAWING | |
| ENG. REL. NO. | | | |

Amphenol High Speed Interconnects
 A Division of Amphenol Corp. www.amphenolcanada.com

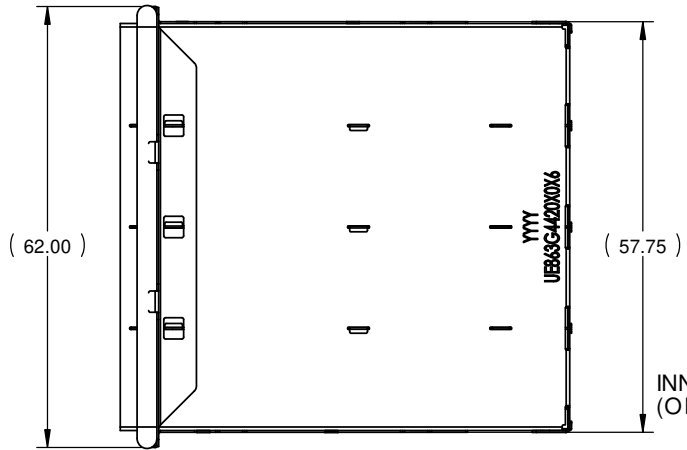
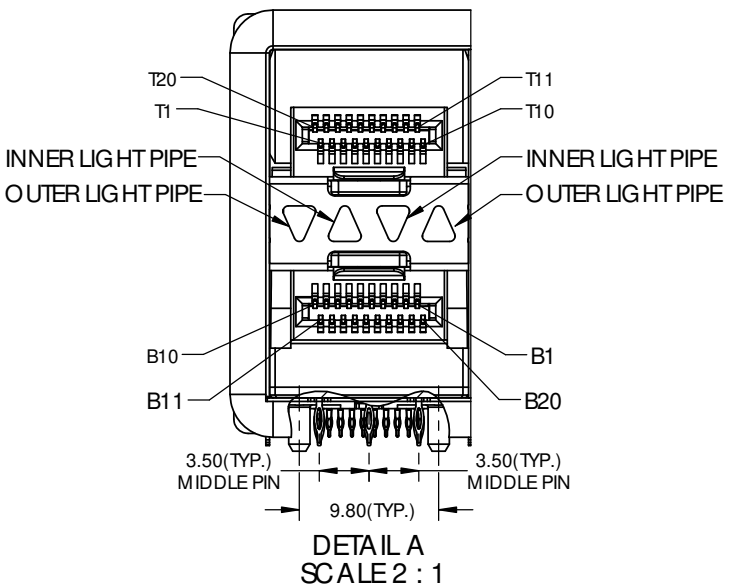
2X4 SFP ULTRA PORT WITH LIGHT PIPE OPTIONS AND EMI GASKET

| | | | |
|-------------|---------------------|--------------|----|
| DWG. NO. | P-UE86-3G4420-X0X61 | REV | F |
| CODE ID NO. | 03554 | DWG SIZE: | A4 |
| SCALE: | 2:3 | SHEET 1 OF 5 | |

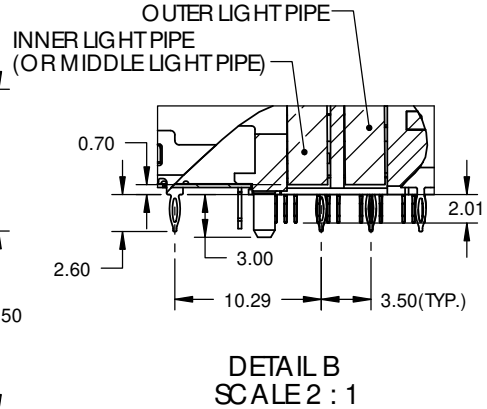
1 2 3 4 5 6

| REVISIONS | | | | |
|-----------|---------|------------------------------------|-----------|----------|
| REV. | ECN NO. | DESCRIPTION | DATE | APPROVED |
| D | | UPDATE NOTES | AUG 19/14 | J.SI |
| E | | CHANGED PCB THICKNESS | NOV 03/15 | J.SI |
| F | | REMOVED DIM. ZONE B1, SHEET 2 OF 5 | OCT31/16 | J.SI |

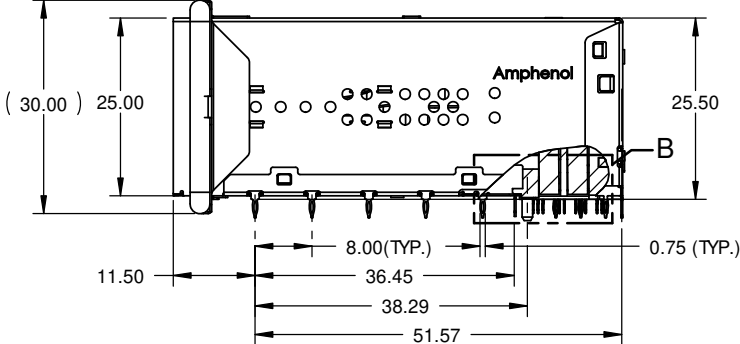
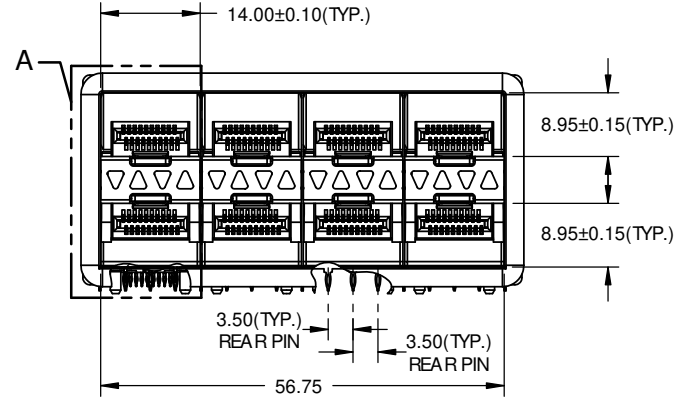
A



B



C



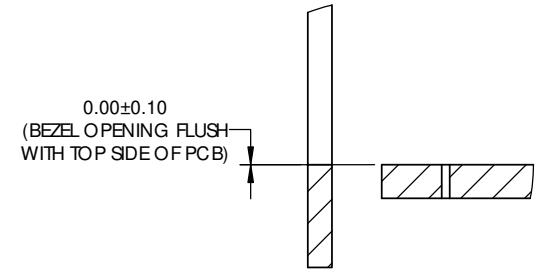
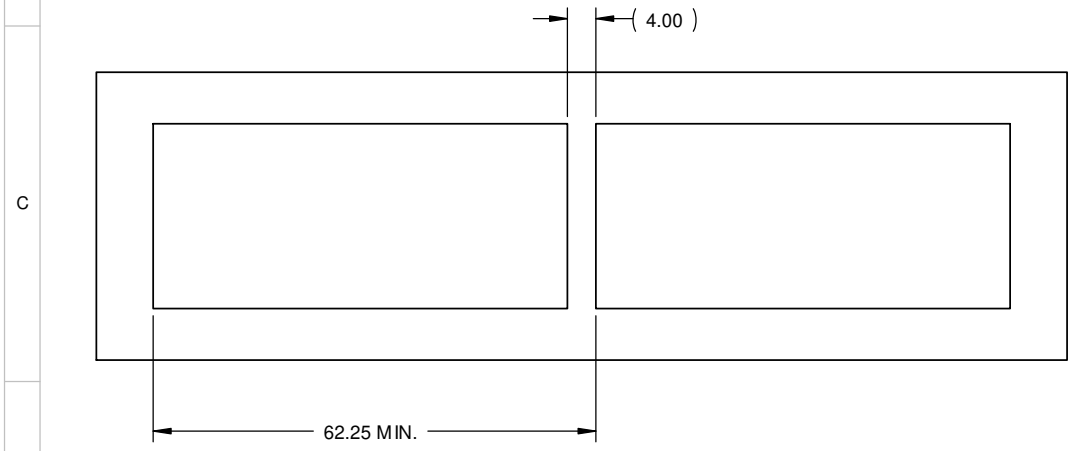
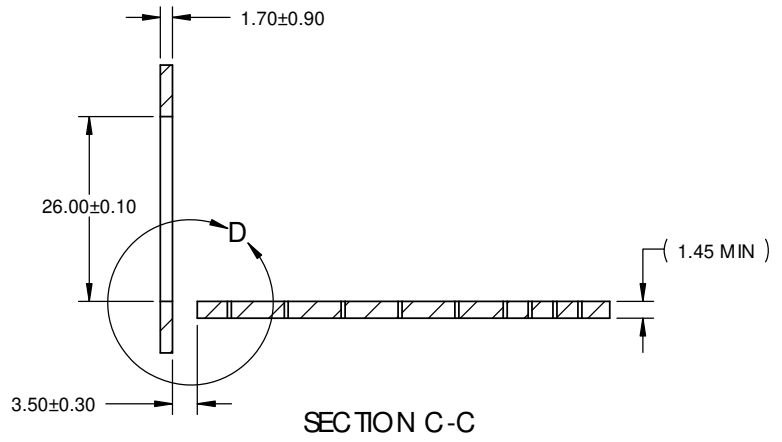
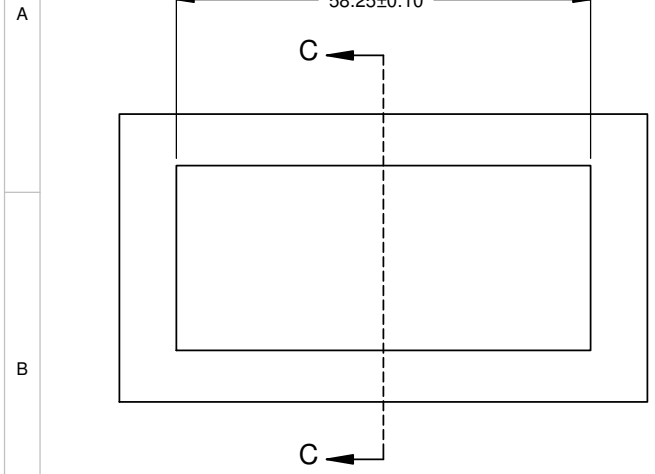
D

THIS DOCUMENT CONTAINS PROPRIETARY INFORMATION AND SUCH INFORMATION MAY NOT BE DISCLOSED TO OTHERS FOR ANY PURPOSE OR USED FOR MANUFACTURING PURPOSES WITHOUT WRITTEN PERMISSION FROM AMPHENOL CANADA CORP.

| | | | |
|--|--|------------------------|--|
| UNLESS SPECIFIED OTHERWISE DIMENSIONS ARE IN MILLIMETERS | DRAWN P. OU CHECKED J. SI | SEP 03/13 NOV 03/15 | Amphenol High Speed Interconnects A Division of Amphenol Corp. www.amphenolcanada.com 2X4 SFP ULTRA PORT WITH LIGHT PIPE OPTIONS AND EMI GASKET |
| REFERENCE IN PARENTHESES | M.E. APPD Q.A. APPD | | |
| GENERAL TOLERANCES | DWG APPD J. SI | NOV 03/15 | |
| 1 DECIMAL PLACE ±0.25 2 DECIMAL PLACE ±0.15 3 DECIMAL PLACE N/A ANGULAR DEGREES ±1° | MATERIAL AND FINISH REF. ECN Exxxxx | SEE NOTES | |
| | THIRD ANGLE PROJECTION | DO NOT SCALE DRAWING | DWG. NO. P-UE86-3G4420-X0X61 CODE ID NO. 03554 DWG SIZE: A4 SCALE: 1:1 SHEET 2 OF 5 |

1 2 3 4 5 6

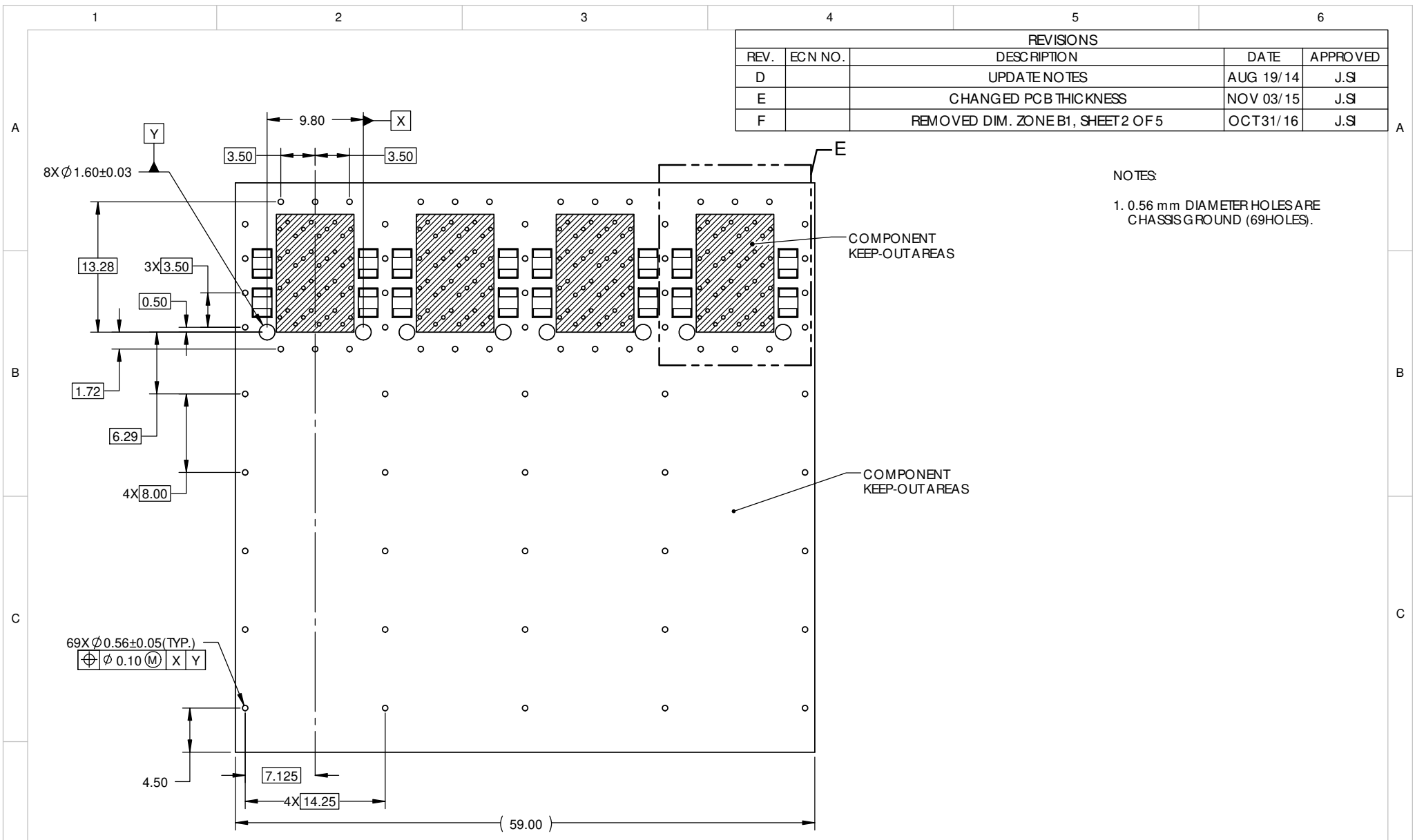
| REVISIONS | | | | |
|-----------|---------|------------------------------------|-----------|----------|
| REV. | ECN NO. | DESCRIPTION | DATE | APPROVED |
| D | | UPDATE NOTES | AUG 19/14 | J.SI |
| E | | CHANGED PCB THICKNESS | NOV 03/15 | J.SI |
| F | | REMOVED DIM. ZONE B1, SHEET 2 OF 5 | OCT31/16 | J.SI |



DETAIL D
SCALE 2 : 1

THIS DOCUMENT CONTAINS PROPRIETARY INFORMATION AND SUCH INFORMATION MAY NOT BE DISCLOSED TO OTHERS FOR ANY PURPOSE OR USED FOR MANUFACTURING PURPOSES WITHOUT WRITTEN PERMISSION FROM AMPHENOL CANADA CORP.

| | | | | |
|---|-------------------------------|--|--|-----|
| UNLESS SPECIFIED OTHERWISE DIMENSIONS ARE IN MILLIMETERS | DRAWN P. OU SEP 03/13 | Amphenol High Speed Interconnects A Division of Amphenol Corp. www.amphenolcanada.com 2X4 SFP ULTRA PORT WITH LIGHT PIPE OPTIONS AND EMI GASKET | DWG. NO. | REV |
| REFERENCE IN PARENTHESES | CHECKED J. SI NOV 03/15 | | P-UE86-3G4420-X0X61 | F |
| GENERAL TOLERANCES | M.E. APPD | | | |
| 1 DECIMAL PLACE ±0.25 | Q.A. APPD | | | |
| 2 DECIMAL PLACE ±0.15 | DWG APPD J. SI NOV 03/15 | | | |
| 3 DECIMAL PLACE N/A | MATERIAL AND FINISH SEE NOTES | | | |
| ANGULAR DEGREES ±1° | REF. ECN Exxxxx | | | |
| ENG. REL. NO. | THIRD ANGLE PROJECTION | DO NOT SCALE DRAWING | CODE ID NO. 03554 DWG SIZE: A4 SCALE: 1:1 SHEET 3 OF 5 | |



| REVISIONS | | | | |
|-----------|---------|------------------------------------|-----------|----------|
| REV. | ECN NO. | DESCRIPTION | DATE | APPROVED |
| D | | UPDATE NOTES | AUG 19/14 | J.SI |
| E | | CHANGED PCB THICKNESS | NOV 03/15 | J.SI |
| F | | REMOVED DIM. ZONE B1, SHEET 2 OF 5 | OCT31/16 | J.SI |

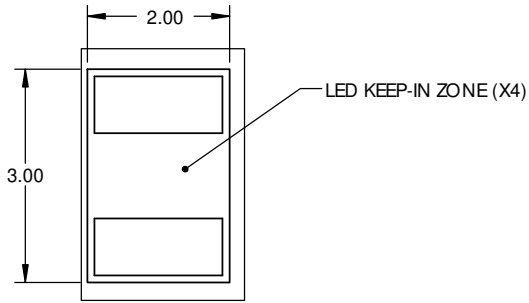
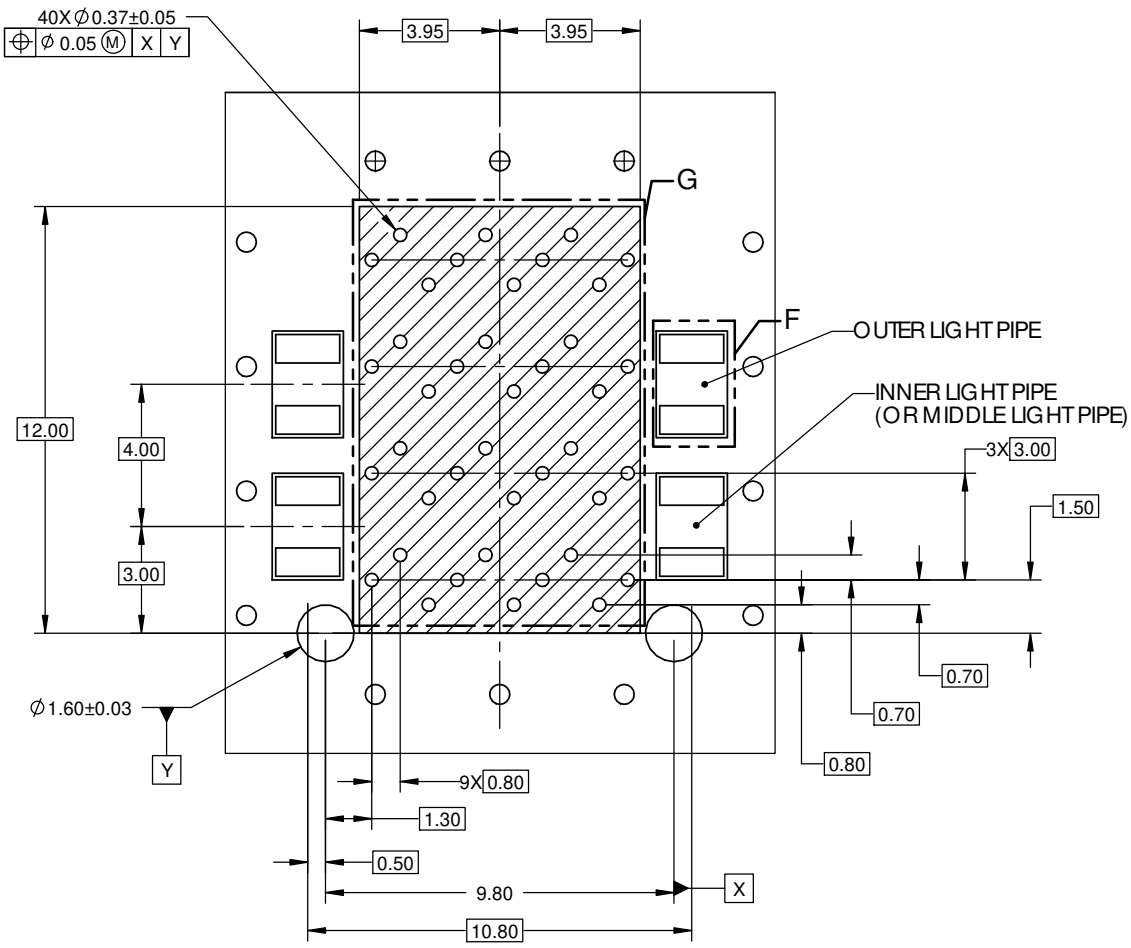
NOTES:
 1. 0.56 mm DIAMETER HOLES ARE CHASSIS GROUND (69HOLES).

2X4 PCB LAYOUT

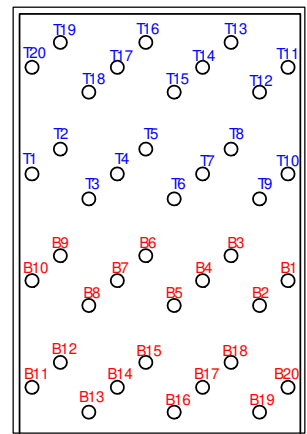
THIS DOCUMENT CONTAINS PROPRIETARY INFORMATION AND SUCH INFORMATION MAY NOT BE DISCLOSED TO OTHERS FOR ANY PURPOSE OR USED FOR MANUFACTURING PURPOSES WITHOUT WRITTEN PERMISSION FROM AMPHENOL CANADA CORP.

| | | | | |
|---|-------------------------------|--|---------------------|--|
| UNLESS SPECIFIED OTHERWISE DIMENSIONS ARE IN MILLIMETERS | DRAWN P. OU SEP 03/13 | Amphenol High Speed Interconnects A Division of Amphenol Corp. www.amphenolcanada.com 2X4 SFP ULTRA PORT WITH LIGHT PIPE OPTIONS AND EMI GASKET | DWG. NO. | REV F |
| REFERENCE IN PARENTHESES | CHECKED J. SI NOV 03/15 | | P-UE86-3G4420-X0X61 | CODE ID NO. 03554 DWG SIZE: A4 SCALE: 2:1 SHEET 4 OF 5 |
| GENERAL TOLERANCES | M.E. APPD | | | |
| 1 DECIMAL PLACE ±0.25 | Q.A. APPD | | | |
| 2 DECIMAL PLACE ±0.15 | DWG APPD J. SI NOV 03/15 | | | |
| 3 DECIMAL PLACE N/A | MATERIAL AND FINISH SEE NOTES | | | |
| ANGULAR DEGREES ±1° | REF. ECN Exxxxx | | | |
| ENG. REL. NO. | THIRD ANGLE PROJECTION | DO NOT SCALE DRAWING | | |

| REVISIONS | | | | |
|-----------|---------|------------------------------------|-----------|----------|
| REV. | ECN NO. | DESCRIPTION | DATE | APPROVED |
| D | | UPDATE NOTES | AUG 19/14 | J.SI |
| E | | CHANGED PCB THICKNESS | NOV 03/15 | J.SI |
| F | | REMOVED DIM. ZONE B1, SHEET 2 OF 5 | OCT31/16 | J.SI |



DETAIL F
SCALE 10 : 1



DETAIL G
SCALE 5 : 1

DETAIL E
SCALE 5 : 1

THIS DOCUMENT CONTAINS PROPRIETARY INFORMATION AND SUCH INFORMATION MAY NOT BE DISCLOSED TO OTHERS FOR ANY PURPOSE OR USED FOR MANUFACTURING PURPOSES WITHOUT WRITTEN PERMISSION FROM AMPHENOL CANADA CORP.

| | | | | | |
|-------------------------------|--|------------------------|-------|----------------------|--|
| UNLESS SPECIFIED OTHERWISE | | DRAWN | P. OU | SEP 03/13 | Amphenol High Speed Interconnects A Division of Amphenol Corp. www.amphenolcanada.com 2X4 SFP ULTRA PORT WITH LIGHT PIPE OPTIONS AND EMI GASKET |
| DIMENSIONS ARE IN MILLIMETERS | | CHECKED | J. SI | NOV 03/15 | |
| REFERENCE IN PARENTHESES | | M.E. APPD | | | |
| GENERAL TOLERANCES | | Q.A. APPD | | | |
| 1 DECIMAL PLACE ±0.25 | | DWG APPD | | J. SI | NOV 03/15 |
| 2 DECIMAL PLACE ±0.15 | | MATERIAL AND FINISH | | SEE NOTES | |
| 3 DECIMAL PLACE N/A | | REF. ECN Exxxxx | | | |
| ANGULAR DEGREES ±1° | | THIRD ANGLE PROJECTION | | DO NOT SCALE DRAWING | |
| ENG. REL. NO. | | DWG. NO. | | | P-UE86-3G4420-X0X61 |
| | | CODE ID NO. | | | 03554 DWG SIZE: A4 SCALE: 2:1 SHEET 5 OF 5 |