

NOTES:

- ① MAT'L: COPPER (STOCK TRN. $\frac{.040}{1.02}$)
PLATING: ELECTRO TIN (.0003 MIN)
- ② TIN-PLATED BRASS FUNNEL: FERRULE

$\pm .001$

FILE NO. C-CD-401-01

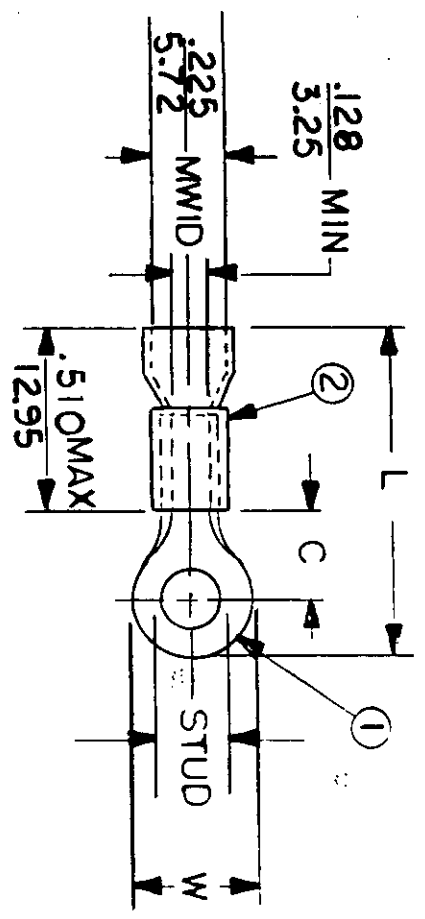
STUD SIZES: ($\pm .005$)

02 = .094	413 = 413
04 = .119	76 = 453
06 = .146	12 = 515
08 = .173	
10 = .198	
14 = .265	
56 = .328	
38 = .390	
209 = .209	

"UL" LISTING # E32244
"CSA" LISTING # 18689

WIRE SIZE: 12-10AWG
4.0-6.0 MM²

ALL DIMENSIONS = $\frac{\text{INCHES}}{\text{MM}}$ (MWID) DENOTES MAXIMUM WIRE INSULATION DIAMETER



PART NUMBER	"W" $\pm .010$	"C" MIN.	"L" MAX.	SCALE:	NTS	DATE	TITLE:	DWG. NO.	CUSTOMER DWG
C-401-	.750	.611	1.531	DRWN. BY: JJ	11-19-84	RING TONGUE TERMINAL VIBRAKRIMP 400-SERIES	EIC molex INCORPORATED	A	
C-428-	.375	.303	1.036	CHKD. BY: GZ	11-26-84				
C-430-	.530	.393	1.203	APPRD. BY:					
C-436-	.282	.306	.992						
C-440-	.592	.468	1.307						
DIMENSIONAL TOLERANCES UNLESS OTHERWISE SPECIFIED		REFERENCE							
FRAC.	DEC.	ANG.							
\pm	\pm	\pm							