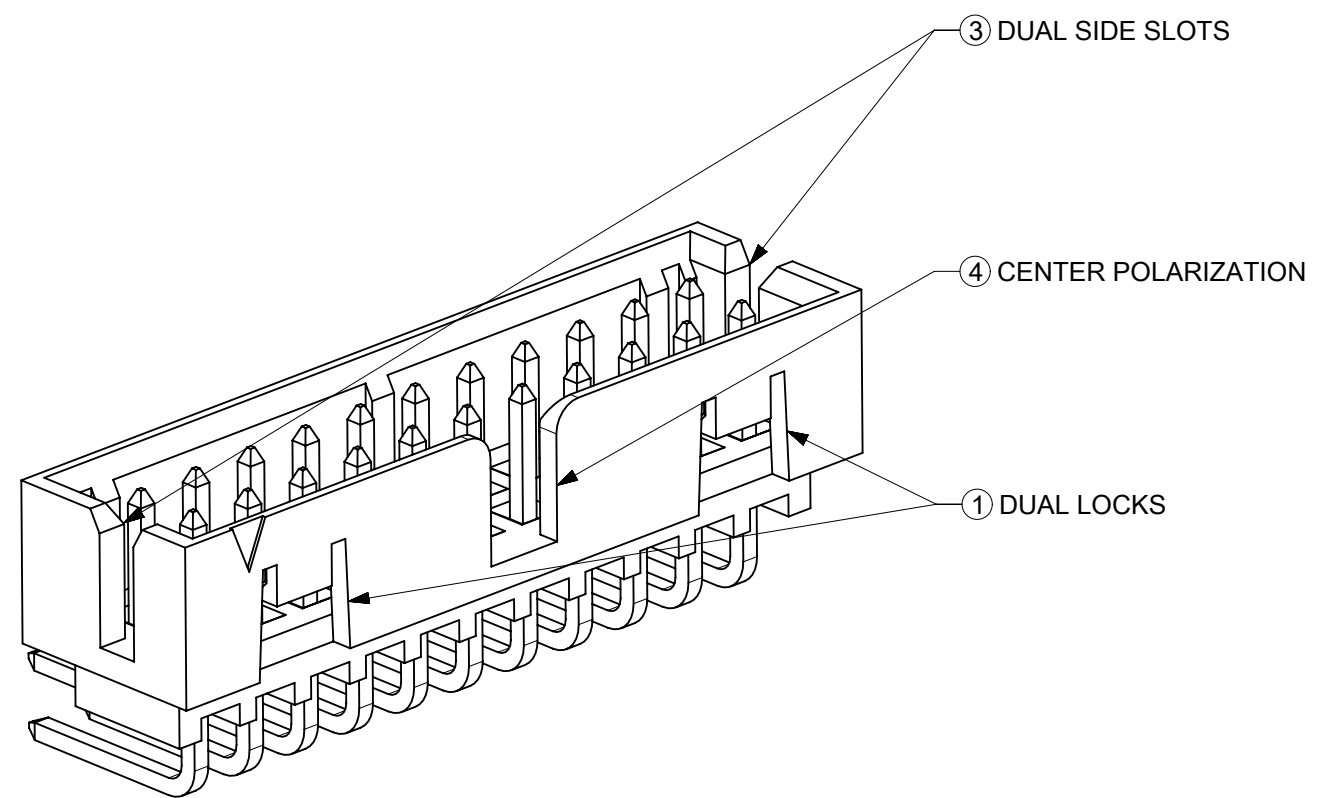
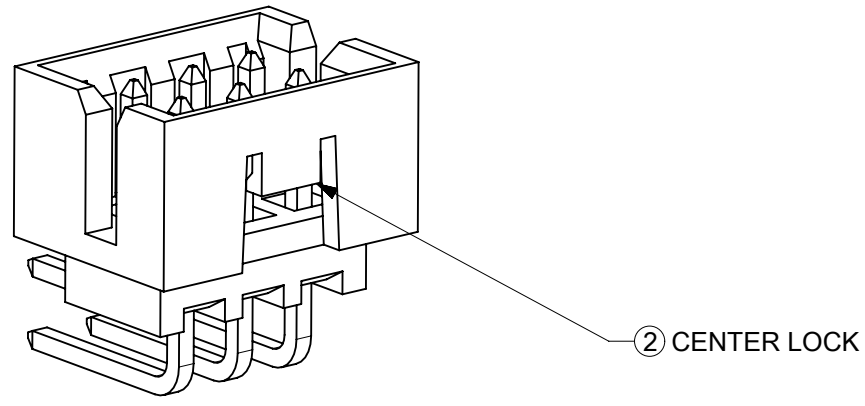


FEATURES SELECTION GUIDE

CIRCUIT SIZE	FEATURES				SHEET NO
	FRICTION LOCKS		③ DUAL SIDE SLOTS	④ CENTER POLARIZATION	
	① DUAL	② CENTER			
4 TO 6	N.A	N.A	YES	N.A	2 - 3
	N.A	YES	YES	N.A	
8 TO 12	N.A	N.A	YES	YES	4 - 5
	N.A	YES	YES	N.A	
14 TO 50	YES	N.A	YES	YES	6 - 9
	N.A	N.A	YES	YES	

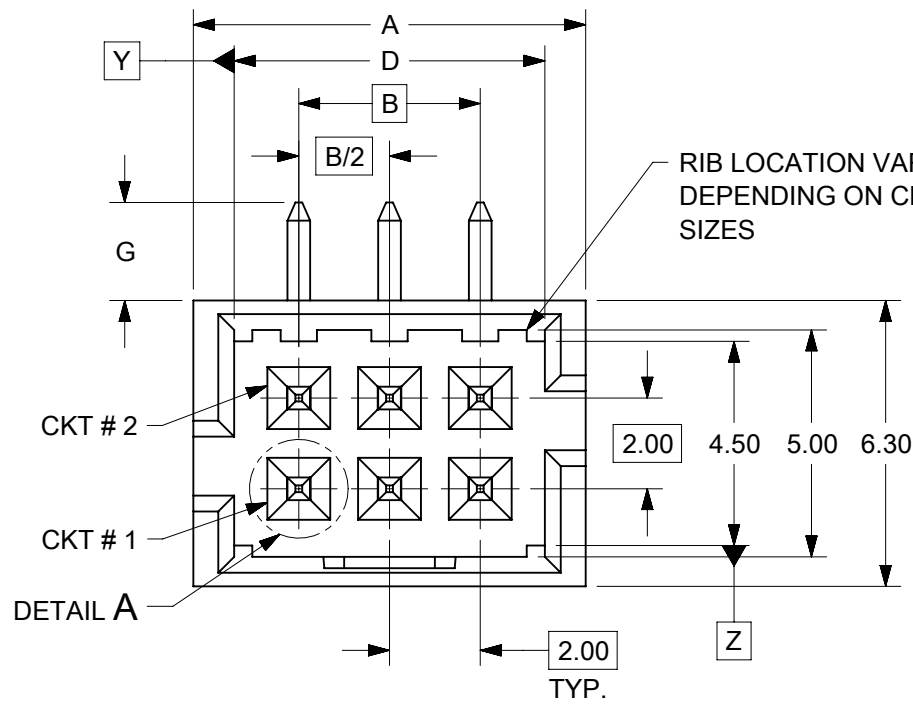


PACKAGING SPECIFICATION TABLE

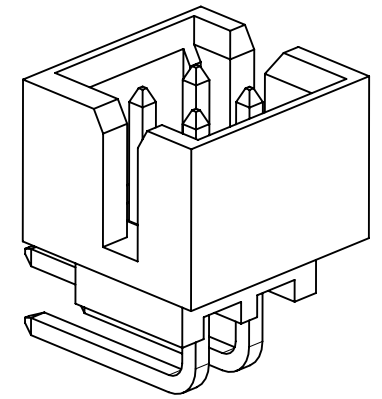
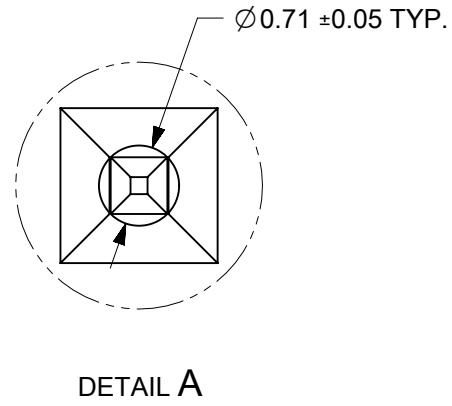
TAPE AND REEL PACKAGING	PK-87831-300
TUBE STANDARD PACKAGING	PK-87831-001
TUBE NON-STANDARD PACKAGING FOR: 87833-0861 87833-1420	PK-87831-002

THIS DRAWING CONTAINS INFORMATION THAT IS PROPRIETARY TO MOLEX ELECTRONIC TECHNOLOGIES, LLC AND SHOULD NOT BE USED WITHOUT WRITTEN PERMISSION

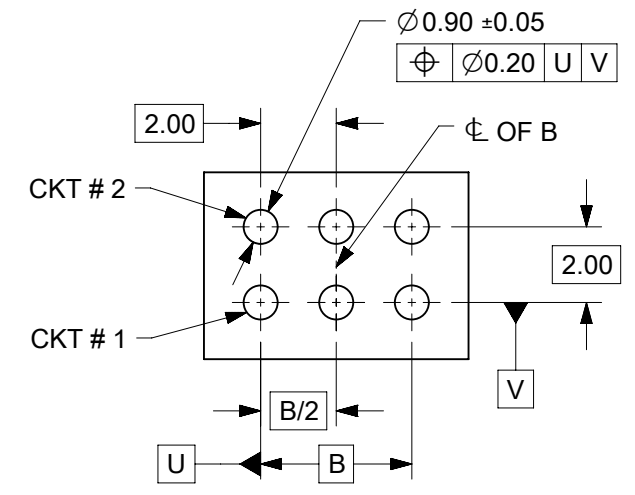
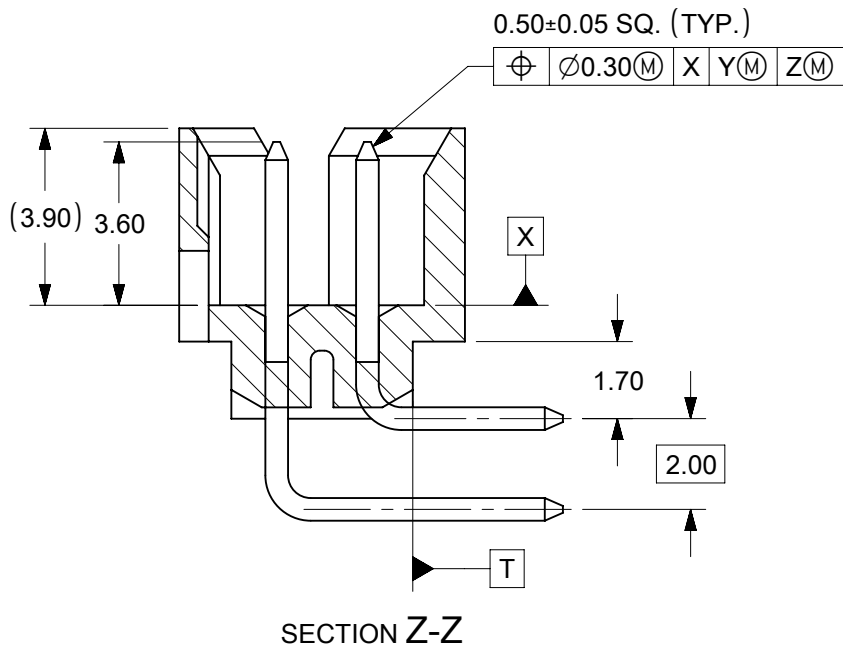
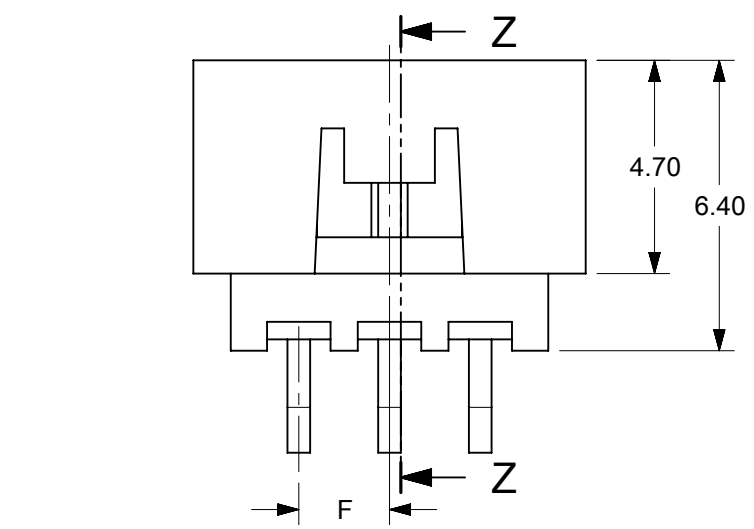
EC NO: 727481 DRWN: DANUSA CHK'D: DANUSA REV APPR: MIRAMAKRISHNA	2022/11/07	GENERAL TOLERANCES (UNLESS SPECIFIED)		DIMENSION UNITS		SCALE							
	2022/11/07	MM	INCH	MM	NTS	DRWN BY						DATE	
	2022/11/07	4 PLACES	±	±	GMENARLY		2015/09/29		MILLIGRID, 2MM PITCH SHROUDED HEADER R/A, THROUGH HOLE				
		3 PLACES	±	±	CHK'D BY		DATE						
		2 PLACES	± 0.2	±	CGOH		2015/10/30						
	1 PLACES	±	±	APPR BY		DATE		PRODUCT CUSTOMER DRAWING					
	0 PLACES	±	±	KHLIM		2015/11/03							
	ANGULAR TOL = 3.0			DRAWING SIZE	THIRD ANGLE PROJECTION			SERIES	MATERIAL NUMBER	CUSTOMER			
	DRAFT WHERE APPLICABLE MUST REMAIN WITHIN DIMENSIONS			A3				87833	SEE TABLE	GENERAL MARKET			
								DOCUMENT NUMBER		DOC TYPE	DOC PART	SHEET NUMBER	
								SD-87833-0001		PSD	001	1 OF 9	



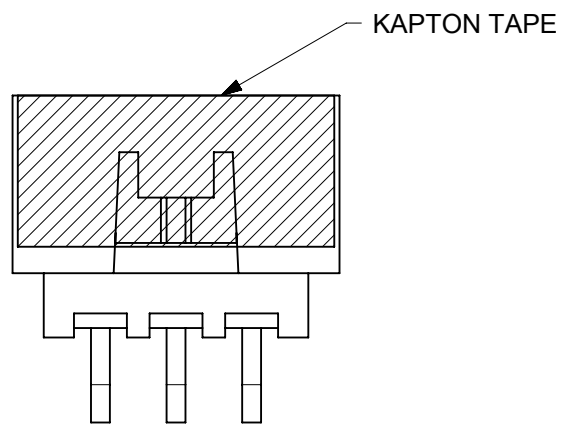
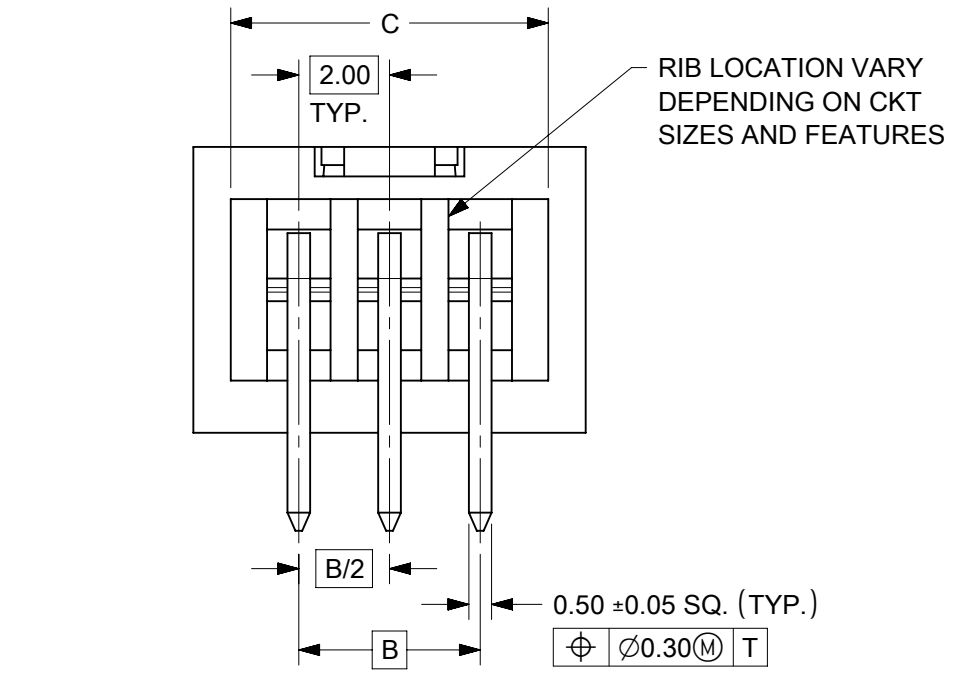
4 TO 6 CIRCUITS



ISO VIEW OF HEADER
DUAL SIDE SLOTS



RECOMMENDED PCB LAYOUT



NOTES:

1. MATERIALS:
HOUSING: 30% GF, NYLON, UL94V-0, COLOR: BLACK.
PIN: 0.50mm SQ. PHOSPHOR BRONZE.
2. FINISHES: REFER TO PLATING OPTIONS.
3. PRODUCT SPECIFICATION: PS-87831-027
4. PACKAGING SPECIFICATION: SEE PACKAGING SPECS TABLE ON SHEET 1
5. MATES WITH: A. MOLEX CRIMP RECEPTACLE HOUSING: 51110 SERIES AND CRIMP TERMINAL: 50394 SERIES.
B. MOLEX 2MM MILLIGRID DUAL ROW IDT: 87568 SERIES.
C. MOLEX 2MM MILLIGRID DUAL ROW RECEPTACLE: 79107 (GOLD PLATED), 78787 (TIN PLATED)
6. FOR ILLUSTRATION PURPOSE, 6 CIRCUITS HEADER IS SHOWN.

THIS DRAWING CONTAINS INFORMATION THAT IS PROPRIETARY TO MOLEX ELECTRONIC TECHNOLOGIES, LLC AND SHOULD NOT BE USED WITHOUT WRITTEN PERMISSION

EC NO: 727481 DRWN: DANUSA CHK'D: DANUSA REV APPR: MIRAMAKRISHNA	GENERAL TOLERANCES (UNLESS SPECIFIED)		DIMENSION UNITS	SCALE	molex MILLIGRID, 2MM PITCH SHROUDED HEADER R/A, THROUGH HOLE
	4 PLACES	±	MM	NTS	
A14	3 PLACES	±	INCH	DATE	PRODUCT CUSTOMER DRAWING
	2 PLACES	± 0.2		GMENARLY 2015/09/29	
REV	1 PLACES	±		CHK'D BY	SERIES: 87833
	0 PLACES	±		CGOH 2015/10/30	
	ANGULAR TOL = 3.0		DRAWING SIZE	THIRD ANGLE PROJECTION	MATERIAL NUMBER: SEE TABLE
	DRAFT WHERE APPLICABLE MUST REMAIN WITHIN DIMENSIONS		A3		CUSTOMER: GENERAL MARKET
					DOCUMENT NUMBER: SD-87833-0001
					DOC TYPE: PSD
					DOC PART: 001
					SHEET NUMBER: 2 OF 9


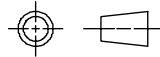
4 TO 6 CIRCUITS

CKT SIZE	ASSY. P/N WITHOUT KAPTON IN TUBE	ASSY. P/N WITH KAPTON IN TUBE	ASSY. P/N WITH KAPTON IN T&R	PLATING OPTIONS	FRICTION LOCKS		DUAL SIDE SLOTS	CENTER POLARIZATION	DIMENSION									
					DUAL	CENTER			A	B	C	D	E	F	G (SOLDER TAIL)			
4	87833-0419	N.A	N.A	1	N.A	N.A	YES	N.A	6.65	2.00	5.00	4.85	N.A	N.A	2.16			
	87833-0420	N.A	N.A	2														
	87833-0421	N.A	N.A	3														
	87833-5920	N.A	N.A	2	N.A	N.A	YES	N.A						N.A	N.A	N.A	1.00	2.16
	87833-0431	87833-0441	87833-0451	2	N.A	YES	YES	N.A						1.00	3.18			
	87833-0432	N.A	N.A	3	N.A	YES	YES	N.A						1.00	3.18			
	87833-0461	N.A	N.A	2	N.A	YES	YES	N.A						1.00	3.18			
6	87833-0619	N.A	N.A	1	N.A	N.A	YES	N.A	8.65	4.00	7.00	6.85	N.A	N.A	2.16			
	87833-0620	N.A	87833-0626	2														
	87833-0621	N.A	N.A	3														
	87833-6420	N.A	N.A	2	N.A	N.A	YES	N.A						N.A	3.18			
	87833-0631	87833-0641	87833-0651	2	N.A	YES	YES	N.A						2.00	2.16			
	87833-0632	N.A	N.A	3	N.A	YES	YES	N.A						2.00	3.18			
	87833-0661	N.A	N.A	2	N.A	YES	YES	N.A						2.00	3.18			
	87833-0624	N.A	N.A	2	N.A	N.A	YES	N.A						N.A	2.92			
	87833-0625	N.A	N.A	3	N.A	N.A	YES	N.A						N.A	2.92			

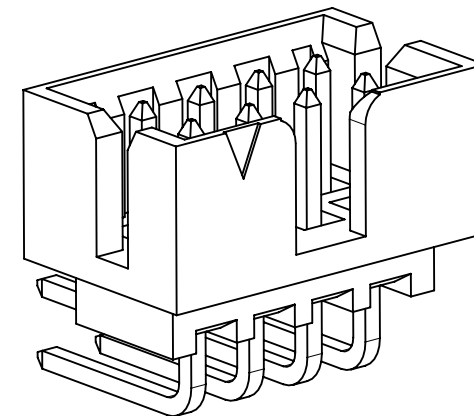
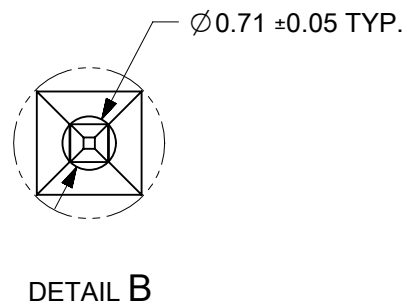
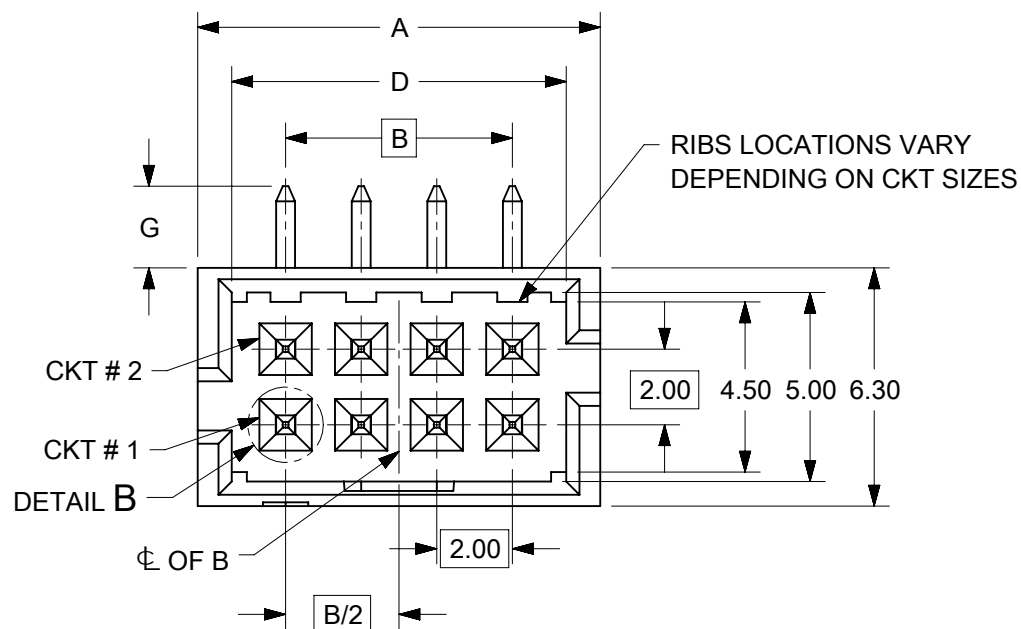
PLATING OPTIONS:

- 1 - 0.05-0.13µm/2-5µin GOLD IN CONTACT AREA AND
1.88µm/75µin MIN. MATTE TIN IN SOLDER TAIL AREA OVER
1.27µm/50µin MIN. NICKEL OVERALL.
- 2 - 0.38µm/15µin MIN. GOLD IN CONTACT AREA AND
1.88µm/75µin MIN. MATTE TIN IN SOLDER TAIL AREA OVER
1.27µm/50µin MIN. NICKEL OVERALL.
- 3 - 0.76µm/30µin MIN. GOLD IN CONTACT AREA AND
1.88µm/75µin MIN. MATTE TIN IN SOLDER TAIL AREA OVER
1.27µm/50µin MIN. NICKEL OVERALL.

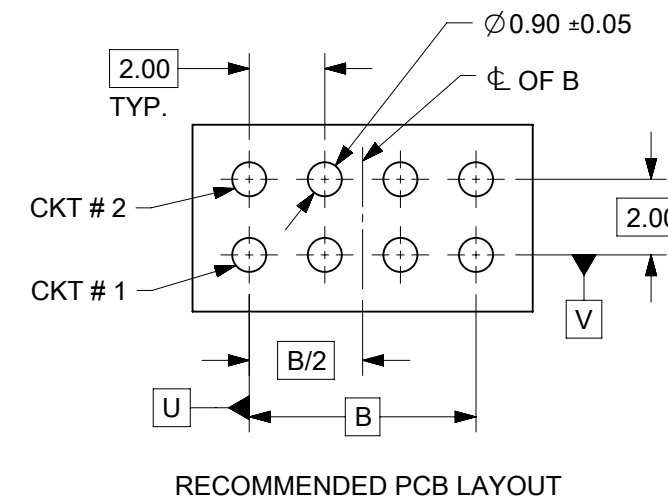
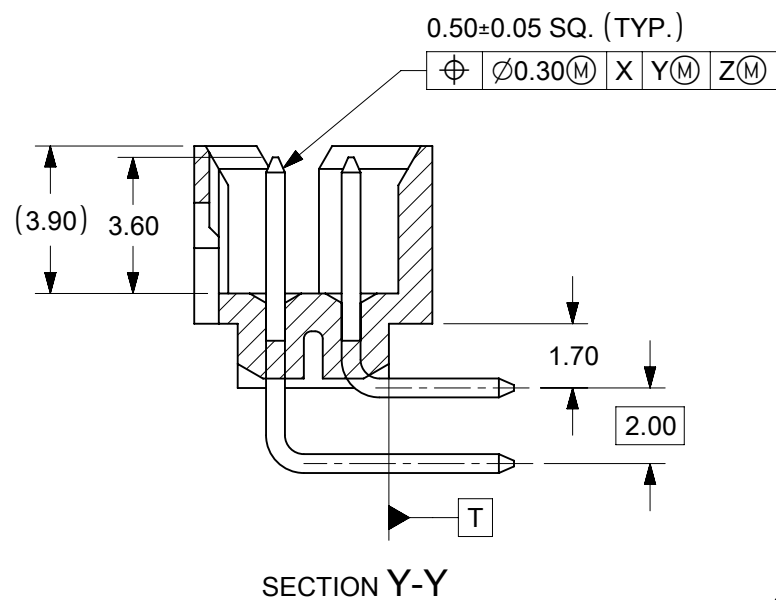
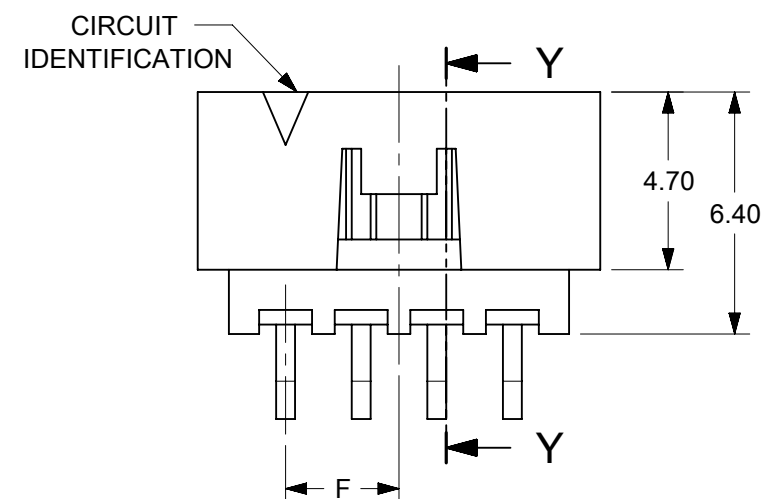
THIS DRAWING CONTAINS INFORMATION THAT IS PROPRIETARY TO MOLEX ELECTRONIC TECHNOLOGIES, LLC AND SHOULD NOT BE USED WITHOUT WRITTEN PERMISSION

EC NO: 727481 DRWN: DANUSA CHK'D: DANUSA REV APPR: MIRAMAKRISHNA	2022/11/07	2022/11/07	2022/11/07	GENERAL TOLERANCES (UNLESS SPECIFIED)		DIMENSION UNITS		SCALE						
				MM	INCH	MM	NTS							
				4 PLACES	±	±	DRWN BY		DATE		MILLIGRID, 2MM PITCH SHROUDED HEADER R/A, THROUGH HOLE			
				3 PLACES	±	±	GMENARLY		2015/09/29					
				2 PLACES	± 0.2	±	CHK'D BY		DATE					
				1 PLACES	±	±	CGOH		2015/10/30		PRODUCT CUSTOMER DRAWING			
			0 PLACES	±	±	APPR BY		DATE						
			ANGULAR TOL = 3.0			DRAWING SIZE		THIRD ANGLE PROJECTION		SERIES	MATERIAL NUMBER	CUSTOMER		
			DRAFT WHERE APPLICABLE MUST REMAIN WITHIN DIMENSIONS			A3				87833	SEE TABLE	GENERAL MARKET		
RELEASE STATUS	P1	RELEASE DATE	2022/11/07	17:03:16	DOCUMENT NUMBER		DOC TYPE		DOC PART	SHEET NUMBER				
					SD-87833-0001		PSD		001	3 OF 9				

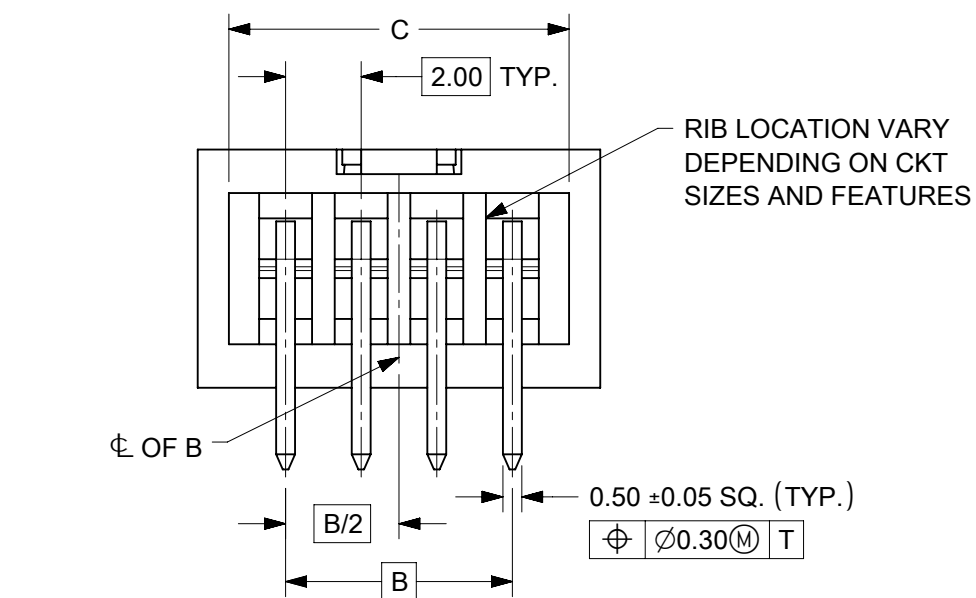
8 TO 12 CIRCUITS



ISO VIEW OF HEADER WITH CENTER POLARIZATION AND DUAL SIDE SLOTS



RECOMMENDED PCB LAYOUT



- NOTES:
- MATERIALS:
HOUSING: 30% GF, NYLON, UL94V-0, COLOR: BLACK
PIN: 0.50mm SQ. PHOSPHOR BRONZE.
 - FINISHES: REFER TO PLATING OPTIONS.
 - PRODUCT SPECIFICATION: PS-87831-027
 - PACKAGING SPECIFICATION: SEE PACKAGING SPECS TABLE ON SHEET 1
 - MATES WITH: A. MOLEX CRIMP RECEPTACLE HOUSING: 51110 SERIES AND CRIMP TERMINAL: 50394 SERIES.
B. MOLEX 2mm MILLIGRID DUAL ROW IDT: 87568 SERIES.
C. MOLEX 2mm MILLIGRID DUAL ROW RECEPTACLE: 79107 (GOLD PLATED), 78787 (TIN PLATED)
 - FOR ILLUSTRATION PURPOSE, 8 CIRCUIT HEADER IS SHOWN.

THIS DRAWING CONTAINS INFORMATION THAT IS PROPRIETARY TO MOLEX ELECTRONIC TECHNOLOGIES, LLC AND SHOULD NOT BE USED WITHOUT WRITTEN PERMISSION

EC NO: 727481 DRWN: DANUSA CHK'D: DANUSA REV APPR: MIRAMAKRISHNA	2022/11/07	GENERAL TOLERANCES (UNLESS SPECIFIED)		DIMENSION UNITS		SCALE			
	2022/11/07	MM	INCH	MM	NTS				
	2022/11/07	4 PLACES	±	±	DRWN BY	DATE			MILLIGRID, 2MM PITCH SHROUDED HEADER R/A, THROUGH HOLE
		3 PLACES	±	±	GMENARLY	2015/09/29			
		2 PLACES	± 0.2	±	CHK'D BY	DATE			
	1 PLACES	±	±	CGOH	2015/10/30				
	0 PLACES	±	±	APPR BY	DATE				
		ANGULAR TOL = 3.0		KHLIM	2015/11/03		PRODUCT CUSTOMER DRAWING		
		DRAFT WHERE APPLICABLE MUST REMAIN WITHIN DIMENSIONS		DRAWING SIZE	THIRD ANGLE PROJECTION				
				A3					
					SERIES	MATERIAL NUMBER	CUSTOMER	GENERAL MARKET	
					87833	SEE TABLE			
					DOCUMENT NUMBER		DOC TYPE		DOC PART
					SD-87833-0001		PSD	001	4 OF 9


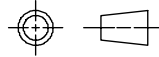
8 TO 12 CIRCUITS

CKT SIZE	ASSY. P/N WITHOUT KAPTON IN TUBE	ASSY. P/N WITH KAPTON IN TUBE	ASSY. P/N WITH KAPTON IN T&R	PLATING OPTIONS	FRICTION LOCKS		DUAL SIDE SLOTS	CENTER POLARIZATION	DIMENSION							
					DUAL	CENTER			A	B	C	D	E	F	G (SOLDER TAIL)	
8	87833-0819	N.A	N.A	1	N.A	N.A	YES	YES	10.65	6.00	9.00	8.85	N.A	N.A	2.16	
	87833-0820	N.A	N.A	2												
	87833-0821	N.A	87833-7621	3												
	87833-6320	N.A	N.A	2	N.A	N.A	YES	YES						N.A	3.00	2.16
	87833-6321	N.A	N.A	3												
	87833-0831	87833-0841	87833-0851	2	N.A	YES	YES	N.A						3.00	3.18	
	87833-0832	N.A	N.A	3												
	87833-0861	N.A	N.A	2	N.A	YES	YES	N.A						3.00	3.18	
	87833-0824	N.A	N.A	2												
	87833-0825	N.A	N.A	3	N.A	N.A	YES	YES						N.A	2.92	
87833-1019	N.A	N.A	1													
10	87833-1020	N.A	87833-1026	2	N.A	N.A	YES	YES	12.65	8.00	11.00	10.85	N.A	N.A	2.16	
	87833-1021	N.A	N.A	3												
	87833-1031	N.A	87833-1027	2												
	87833-1032	N.A	N.A	3	N.A	YES	YES	N.A						4.00	2.16	
	N.A	87833-1041	87833-1051	2												
	87833-1024	N.A	N.A	2	N.A	N.A	YES	YES						N.A	2.92	
	87833-1025	N.A	N.A	3												
	12	87833-1219	N.A	N.A	1	N.A	N.A	YES						YES	14.65	10.00
87833-1220		N.A	87833-1240	2												
87833-1221		N.A	N.A	3												
87833-6020		N.A	N.A	2	N.A	N.A	YES	YES	N.A	3.18						
87833-1231		N.A	N.A	2												
87833-1232		N.A	N.A	3	N.A	YES	YES	N.A	5.00	2.16						
87833-1224		N.A	N.A	2												
87833-1225		N.A	N.A	3	N.A	N.A	YES	YES	N.A	2.92						

PLATING OPTIONS:

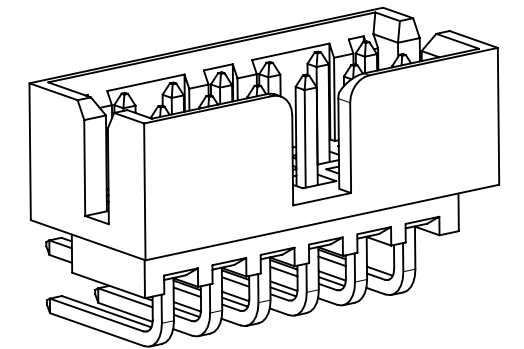
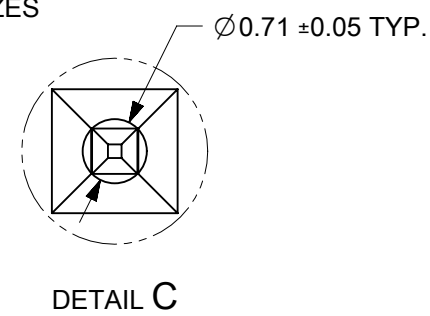
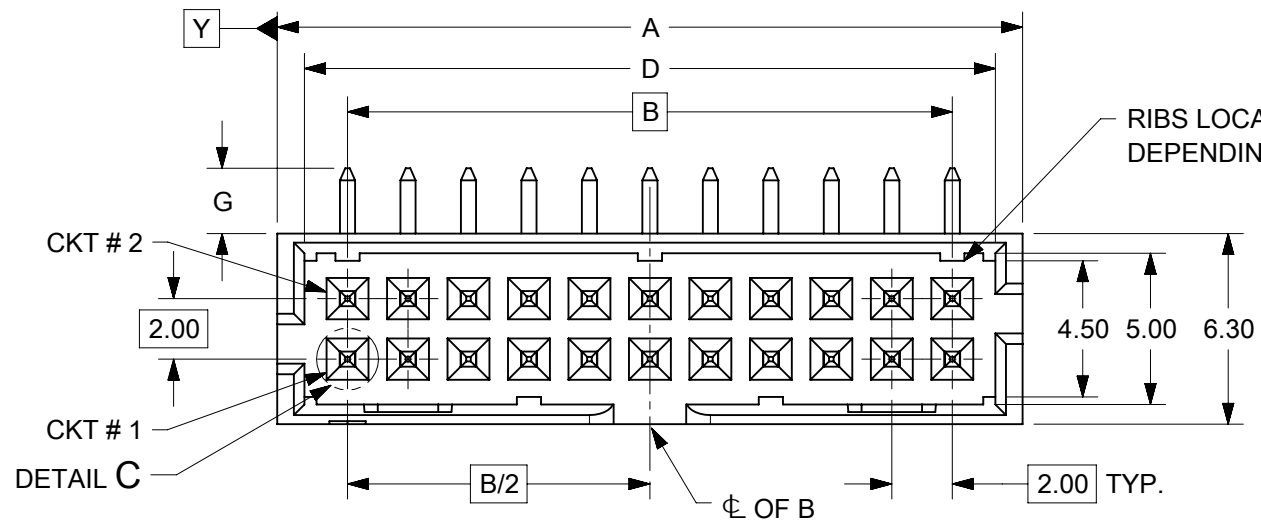
- 1 - 0.05-0.13µm/2-5µin GOLD IN CONTACT AREA AND 1.88µm/75µin MIN. MATTE TIN IN SOLDER TAIL AREA OVER 1.27µm/50µin MIN. NICKEL OVERALL.
- 2 - 0.38µm/15µin MIN. GOLD IN CONTACT AREA AND 1.88µm/75µin MIN. MATTE TIN IN SOLDER TAIL AREA OVER 1.27µm/50µin MIN. NICKEL OVERALL.
- 3 - 0.76µm/30µin MIN. GOLD IN CONTACT AREA AND 1.88µm/75µin MIN. MATTE TIN IN SOLDER TAIL AREA OVER 1.27µm/50µin MIN. NICKEL OVERALL.

THIS DRAWING CONTAINS INFORMATION THAT IS PROPRIETARY TO MOLEX ELECTRONIC TECHNOLOGIES, LLC AND SHOULD NOT BE USED WITHOUT WRITTEN PERMISSION

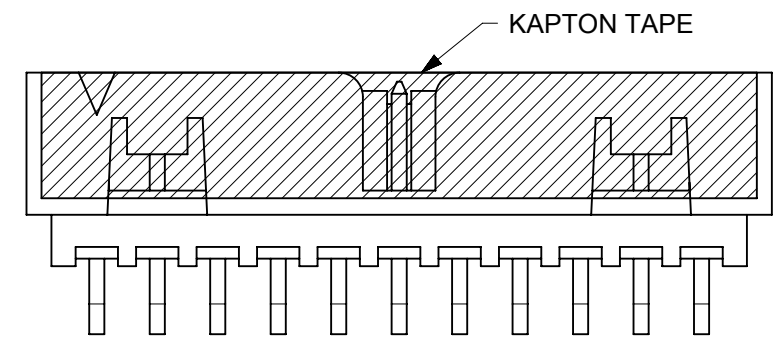
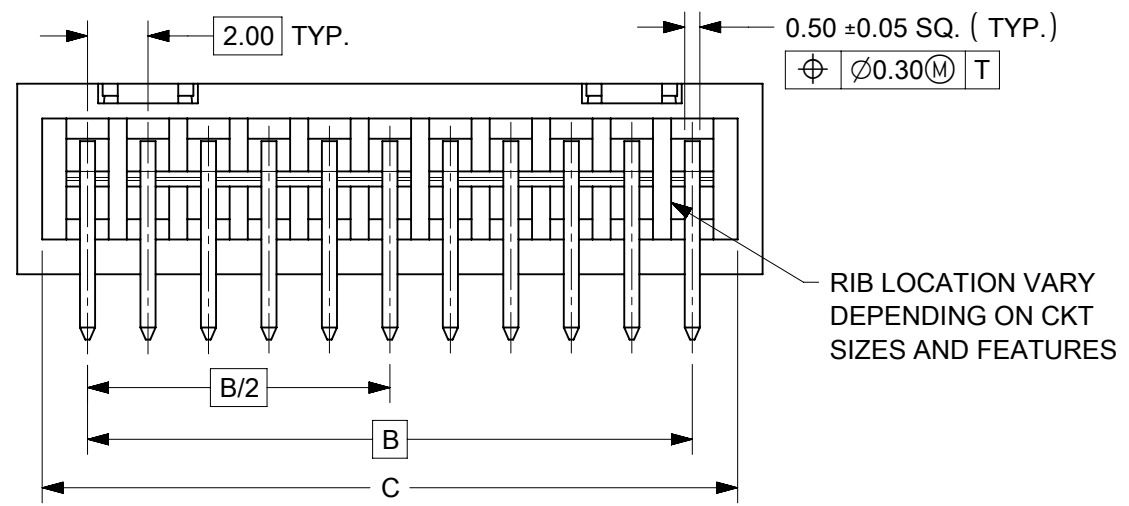
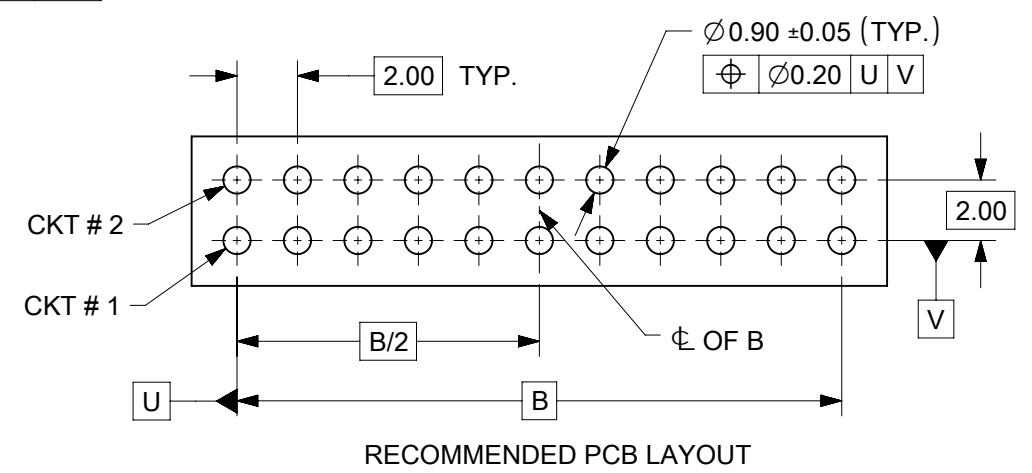
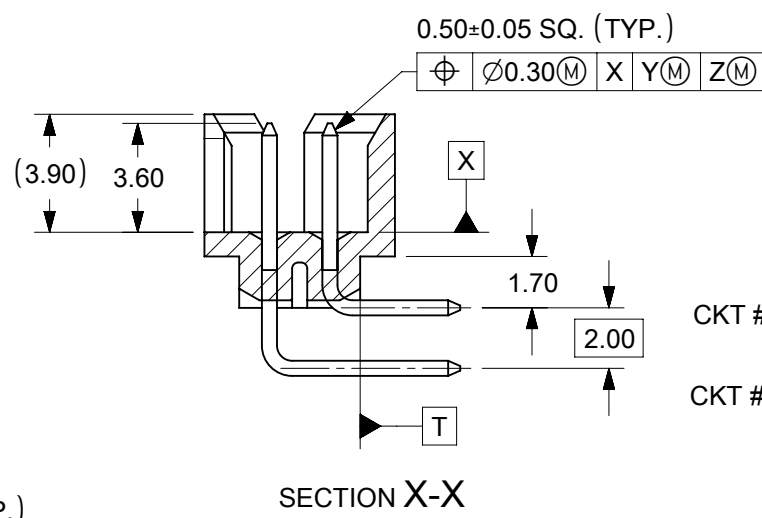
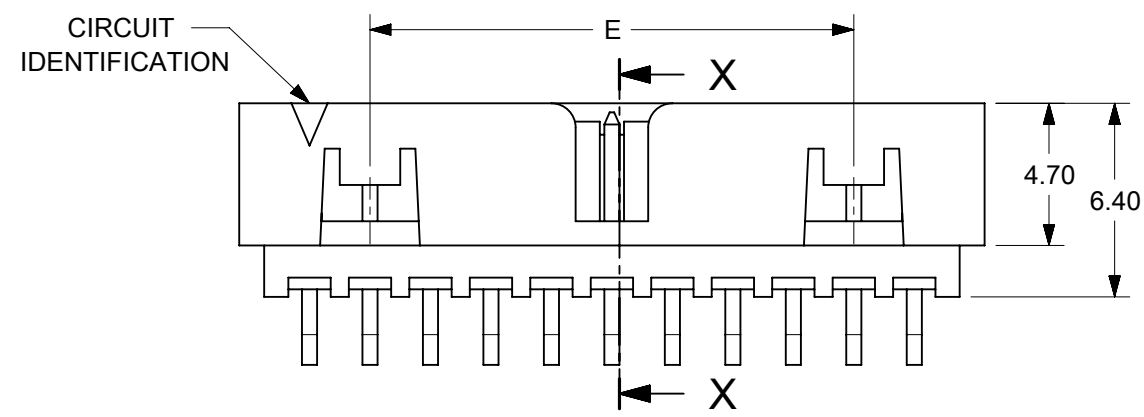
EC NO: 727481 DRWN: DANUSA CHKD: DANUSA REV APPR: MIRAMAKRISHNA	2022/11/07	GENERAL TOLERANCES (UNLESS SPECIFIED)		DIMENSION UNITS		SCALE		 <p>MILLIGRID, 2MM PITCH SHROUDED HEADER R/A, THROUGH HOLE</p> <p>PRODUCT CUSTOMER DRAWING</p> <p>SERIES: 87833 MATERIAL NUMBER: SEE TABLE CUSTOMER: GENERAL MARKET</p> <p>DOCUMENT NUMBER: SD-87833-0001 DOC TYPE: PSD DOC PART: 001 SHEET NUMBER: 5 OF 9</p>
	2022/11/07	MM	INCH	MM	NTS	DRWN BY	DATE	
	2022/11/07	4 PLACES ±	±	GMENARLY	2015/09/29	CHK'D BY	DATE	
		3 PLACES ±	±	CGOH	2015/10/30	APPR BY	DATE	
		2 PLACES ±	0.2	KHLIM	2015/11/03	DRAWING SIZE	THIRD ANGLE PROJECTION	
	1 PLACES ±	±	ANGULAR TOL = 3.0		A3			
	0 PLACES ±	±	DRAFT WHERE APPLICABLE MUST REMAIN WITHIN DIMENSIONS					

RELEASE STATUS	P1	RELEASE DATE	2022/11/07	17:03:16
----------------	----	--------------	------------	----------

14 TO 50 CIRCUITS



ISO VIEW OF HEADER WITH CENTER POLARIZATION AND DUAL SIDE SLOTS



- NOTES:
- MATERIALS:
HOUSING: 30% GF, NYLON, UL94V-0, COLOR: BLACK.
PIN: 0.50mm SQ PHOSPHOR BRONZE.
 - FINISHES: REFER TO PLATING OPTIONS.
 - PRODUCT SPECIFICATION: PS-87831-027
 - PACKAGING SPECIFICATION: SEE PACKAGING SPECS TABLE ON SHEET 1
 - MATES WITH: A. MOLEX CRIMP RECEPTACLE HOUSING: 51110 SERIES AND CRIMP TERMINAL: 50394 SERIES.
B. MOLEX 2mm MILLIGRID DUAL ROW IDT: 87568 SERIES.
C. MOLEX 2mm MILLIGRID DUAL ROW RECEPTACLE: 79107 (GOLD PLATED), 78787 (TIN PLATED)
 - FOR ILLUSTRATION PURPOSE, 22 CIRCUITS HEADER IS SHOWN.

THIS DRAWING CONTAINS INFORMATION THAT IS PROPRIETARY TO MOLEX ELECTRONIC TECHNOLOGIES, LLC AND SHOULD NOT BE USED WITHOUT WRITTEN PERMISSION

EC NO: 727481 DRWN: DANUSA CHK'D: DANUSA REV APPR: MIRAMAKRISHNA	2022/11/07	GENERAL TOLERANCES (UNLESS SPECIFIED)		DIMENSION UNITS	SCALE				
	2022/11/07	MM	INCH	MM	NTS				
	2022/11/07	4 PLACES ±	±	DRWN BY	DATE		MILLIGRID, 2MM PITCH SHROUDED HEADER R/A, THROUGH HOLE		
		3 PLACES ±	±	GMENARLY	2015/09/29				
		2 PLACES ± 0.2	±	CHK'D BY	DATE				
		1 PLACES ±	±	CGOH	2015/10/30		PRODUCT CUSTOMER DRAWING		
	0 PLACES ±	±	APPR BY	DATE					
			KHLIM	2015/11/03	SERIES	MATERIAL NUMBER	CUSTOMER		
			ANGULAR TOL = 3.0	DRAWING SIZE	THIRD ANGLE PROJECTION	87833	SEE TABLE	GENERAL MARKET	
			DRAFT WHERE APPLICABLE MUST REMAIN WITHIN DIMENSIONS	A3		DOCUMENT NUMBER	DOC TYPE	DOC PART	SHEET NUMBER
A14	REV					SD-87833-0001	PSD	001	6 OF 9


14 TO 24 CIRCUITS

CKT SIZE	ASSY. P/N WITHOUT KAPTON IN TUBE	ASSY. P/N WITH KAPTON IN TUBE	ASSY. P/N WITH KAPTON IN T&R	ASSY. P/N WITHOUT KAPTON IN T&R	PLATING OPTIONS	FRICTION LOCKS		DUAL SIDE SLOTS	CENTER POLARIZATION	DIMENSION																
						DUAL	CENTER			A	B	C	D	E	F	G (SOLDER TAIL)										
14	87833-1419	N.A	N.A	N.A	1	YES	N.A	YES	YES	16.65	12.00	15.00	14.85	8.00	N.A	2.16										
	87833-1420	N.A	N.A	N.A	2																					
	87833-1421	N.A	N.A	N.A	3																					
	87833-5320	N.A	N.A	N.A	2	YES	N.A	YES	YES							16.65	12.00	15.00	14.85	8.00	N.A	3.18				
	87833-5321	N.A	N.A	N.A	3																					
	87833-1436	N.A	N.A	N.A	3																					
	N.A	N.A	87833-7420	N.A	2																					
16	87833-1619	N.A	N.A	N.A	1	YES	N.A	YES	YES	18.65	14.00	17.00	16.85	10.00	N.A							2.16				
	87833-1620	N.A	N.A	N.A	2																					
	87833-1621	N.A	87833-7821	N.A	3																					
	87833-6120	N.A	87833-7120	N.A	2																					
18	87833-1819	N.A	N.A	N.A	1	YES	N.A	YES	YES	20.65	16.00	19.00	18.85	12.00	N.A	2.16										
	87833-1820	N.A	N.A	N.A	2																					
	87833-1821	N.A	N.A	N.A	3																					
	87833-6220	N.A	N.A	N.A	2																					
20	87833-2019	N.A	N.A	N.A	1	YES	N.A	YES	YES	22.65	18.00	21.00	20.85	14.00	N.A	2.16										
	87833-2020	N.A	87833-7220	N.A	2																					
	87833-2021	N.A	N.A	N.A	3																					
	87833-6520	N.A	N.A	N.A	2	YES	N.A	YES	YES							22.65	18.00	21.00	20.85	14.00	N.A	3.18				
	87833-6521	N.A	N.A	(A14) 87833-2037	3																					
	87833-2036	N.A	N.A	N.A	3																					
87833-2219	N.A	N.A	N.A	1																						
22	87833-2220	N.A	N.A	N.A	2	YES	N.A	YES	YES	24.65	20.00	23.00	22.85	16.00	N.A							2.16				
	87833-2221	N.A	N.A	N.A	3																					
	87833-2419	N.A	N.A	N.A	1																					
24	87833-2420	N.A	87833-7020	N.A	2	YES	N.A	YES	YES	26.65	22.00	25.00	24.85	18.00	N.A	2.16										
	87833-2421	N.A	N.A	N.A	3																					
	87833-7320	N.A	N.A	N.A	2											YES	N.A	YES	YES	26.65	22.00	25.00	24.85	18.00	N.A	2.00
	87833-2436	N.A	N.A	N.A	3																					
	87833-6920	N.A	N.A	N.A	2																					
	87833-6920	N.A	N.A	N.A	2																					

PLATING OPTIONS:

- 1 - 0.05-0.13µm/2-5µin GOLD IN CONTACT AREA AND 1.88µm/75µin MIN. MATTE TIN IN SOLDER TAIL AREA OVER 1.27µm/50µin MIN. NICKEL OVERALL.
- 2 - 0.38µm/15µin MIN. GOLD IN CONTACT AREA AND 1.88µm/75µin MIN. MATTE TIN IN SOLDER TAIL AREA OVER 1.27µm/50µin MIN. NICKEL OVERALL.
- 3 - 0.76µm/30µin MIN. GOLD IN CONTACT AREA AND 1.88µm/75µin MIN. MATTE TIN IN SOLDER TAIL AREA OVER 1.27µm/50µin MIN. NICKEL OVERALL.

THIS DRAWING CONTAINS INFORMATION THAT IS PROPRIETARY TO MOLEX ELECTRONIC TECHNOLOGIES, LLC AND SHOULD NOT BE USED WITHOUT WRITTEN PERMISSION

EC NO: 727481 DRWN: DANUSA CHK'D: DANUSA REV APPR: MIRAMAKRISHNA	2022/11/07		GENERAL TOLERANCES (UNLESS SPECIFIED)		DIMENSION UNITS		SCALE							
	2022/11/07		MM INCH		MM NTS		NTS							
	4 PLACES		±		±		DRWN BY		DATE		MILLIGRID, 2MM PITCH SHROUDED HEADER R/A, THROUGH HOLE			
	3 PLACES		±		±		GMENARLY		2015/09/29					
	2 PLACES		± 0.2		±		CHK'D BY		DATE					
	1 PLACES		±		±		CGOH		2015/10/30		PRODUCT CUSTOMER DRAWING			
0 PLACES		±		±		APPR BY		DATE						
ANGULAR TOL = 3.0		DRAFT WHERE APPLICABLE MUST REMAIN WITHIN DIMENSIONS		A3		DRAWING SIZE		THIRD ANGLE PROJECTION		SERIES: 87833 MATERIAL NUMBER: SEE TABLE CUSTOMER: GENERAL MARKET				
A14		REV		MIRAMAKRISHNA		2022/11/07		KHLIM		2015/11/03		DOCUMENT NUMBER: SD-87833-0001 DOC TYPE: PSD DOC PART: 001 SHEET NUMBER: 7 OF 9		

26 TO 38 CIRCUITS

CKT SIZE	ASSY. P/N WITHOUT KAPTON IN TUBE	ASSY. P/N WITH KAPTON IN TUBE	ASSY. P/N WITH KAPTON IN T&R	PLATING OPTIONS	FRICTION LOCKS		DUAL SIDE SLOTS	CENTER POLARIZATION	DIMENSION							
					DUAL	CENTER			A	B	C	D	E	F	G (SOLDER TAIL)	
26	87833-2619	N.A	N.A	1												
	87833-2620	N.A	N.A	2	YES	N.A	YES	YES	28.65	24.00	27.00	26.85	20.00	N.A	2.16	
	87833-2621	N.A	N.A	3												
	87833-2636	N.A	N.A	3	YES	N.A	YES	YES								3.50
87833-2819	N.A	N.A	1													
28	87833-2820	N.A	N.A	2	YES	N.A	YES	YES	30.65	26.00	29.00	28.85	22.00	N.A	2.16	
	87833-2821	N.A	N.A	3												
	87833-6620	N.A	N.A	2	YES	N.A	YES	YES								3.18
	87833-3019	N.A	N.A	1												
30	87833-3020	N.A	N.A	2	YES	N.A	YES	YES	32.65	28.00	31.00	30.85	24.00	N.A	2.16	
	87833-3021	N.A	N.A	3												
	87833-6720	N.A	N.A	2	YES	N.A	YES	YES								3.18
	87833-6721	N.A	N.A	3												
	87833-3036	N.A	N.A	3	YES	N.A	YES	YES							3.50	
	87833-3219	N.A	N.A	1												
32	87833-3220	N.A	N.A	2	YES	N.A	YES	YES	34.65	30.00	33.00	32.85	26.00	N.A	2.16	
	87833-3221	N.A	N.A	3												
	87833-3419	N.A	N.A	1												
34	87833-3420	N.A	N.A	2	YES	N.A	YES	YES	36.65	32.00	35.00	34.85	28.00	N.A	2.16	
	87833-3421	N.A	N.A	3												
	87833-5420	N.A	N.A	2	YES	N.A	YES	YES								3.18
	87833-3424	N.A	N.A	2	N.A	N.A	YES	YES							2.92	
	87833-3619	N.A	N.A	1												
36	87833-3620	N.A	N.A	2	YES	N.A	YES	YES	38.65	34.00	37.00	36.85	30.00	N.A	2.16	
	87833-3621	N.A	N.A	3												
	87833-3819	N.A	N.A	1												
38	87833-3820	N.A	N.A	2	YES	N.A	YES	YES	40.65	36.00	39.00	38.85	32.00	N.A	2.16	
	87833-3821	N.A	N.A	3												

PLATING OPTIONS:

- 1 - 0.05-0.13µm/2-5µin GOLD IN CONTACT AREA AND 1.88µm/75µin MIN. MATTE TIN IN SOLDER TAIL AREA OVER 1.27µm/50µin MIN. NICKEL OVERALL.
- 2 - 0.38µm/15µin MIN. GOLD IN CONTACT AREA AND 1.88µm/75µin MIN. MATTE TIN IN SOLDER TAIL AREA OVER 1.27µm/50µin MIN. NICKEL OVERALL.
- 3 - 0.76µm/30µin MIN. GOLD IN CONTACT AREA AND 1.88µm/75µin MIN. MATTE TIN IN SOLDER TAIL AREA OVER 1.27µm/50µin MIN. NICKEL OVERALL.

THIS DRAWING CONTAINS INFORMATION THAT IS PROPRIETARY TO MOLEX ELECTRONIC TECHNOLOGIES, LLC AND SHOULD NOT BE USED WITHOUT WRITTEN PERMISSION

EC NO: 727481 DRWN: DANUSA CHKD: DANUSA REV APPR: MIRAMAKRISHNA	2022/11/07	GENERAL TOLERANCES (UNLESS SPECIFIED)		DIMENSION UNITS		SCALE		molex MILLIGRID, 2MM PITCH SHROUDED HEADER R/A, THROUGH HOLE					
	2022/11/07	MM	INCH	MM	NTS								
	2022/11/07	4 PLACES ±	±	DRWN BY	DATE	PRODUCT CUSTOMER DRAWING							
		3 PLACES ±	±	GMENARLY	2015/09/29								
		2 PLACES ± 0.2	±	CHK'D BY	DATE								
		1 PLACES ±	±	CGOH	2015/10/30	SERIES: 87833 MATERIAL NUMBER: SEE TABLE CUSTOMER: GENERAL MARKET							
	0 PLACES ±	±	APPR BY	DATE									
	ANGULAR TOL = 3.0		KHLIM	2015/11/03	DRAWING SIZE: A3		THIRD ANGLE PROJECTION		DOCUMENT NUMBER: SD-87833-0001		DOC TYPE: PSD	DOC PART: 001	SHEET NUMBER: 8 OF 9

40 TO 50 CIRCUITS

CKT SIZE	ASSY. P/N WITHOUT KAPTON IN TUBE	ASSY. P/N WITH KAPTON IN TUBE	ASSY. P/N WITH KAPTON IN T&R	ASSY. P/N WITHOUT KAPTON IN T&R	PLATING OPTIONS	FRICTION LOCKS		DUAL SIDE SLOTS	CENTER POLARIZATION	DIMENSION										
						DUAL	CENTER			A	B	C	D	E	F	G (SOLDER TAIL)				
40	87833-4019	N.A	N.A	N.A	1															
	87833-4020	N.A	N.A	N.A	2	YES	N.A	YES	YES	42.65	38.00	41.00	40.85	34.00	N.A	2.16				
	87833-4021	N.A	N.A	N.A	3															
42	87833-4219	N.A	N.A	N.A	1															
	87833-4220	N.A	N.A	N.A	2	YES	N.A	YES	YES	44.65	40.00	43.00	42.85	36.00	N.A	2.16				
	87833-4221	N.A	N.A	N.A	3															
	87833-4222	N.A	87833-4322	87833-4223	3	YES	N.A	YES	YES							3.50				
44	87833-4419	N.A	N.A	N.A	1															
	87833-4420	N.A	N.A	N.A	2					44.65	40.00	43.00	42.85	2.16	42.00	45.00	44.85	38.00	N.A	2.16
	87833-4421	N.A	N.A	N.A	3															
	87833-4424	N.A	N.A	N.A	2	N.A	N.A	YES	YES											
	87833-4425	N.A	N.A	N.A	3															
46	87833-4619	N.A	N.A	N.A	1															
	87833-4620	N.A	N.A	N.A	2	YES	N.A	YES	YES	48.65	44.00	47.00	46.85	40.00	N.A	2.16				
	87833-4621	N.A	N.A	N.A	3															
48	87833-4819	N.A	N.A	N.A	1															
	87833-4820	N.A	N.A	N.A	2	YES	N.A	YES	YES	50.65	46.00	49.00	48.85	42.00	N.A	2.16				
	87833-4821	N.A	N.A	N.A	3															
50	87833-5019	N.A	N.A	N.A	1															
	87833-5020	N.A	N.A	N.A	2	YES	N.A	YES	YES	52.65	48.00	51.00	50.85	44.00	N.A	2.16				
	87833-5021	N.A	N.A	N.A	3															

PLATING OPTIONS:

- 1 - 0.05-0.13µm/2-5µin GOLD IN CONTACT AREA AND 1.88µm/75µin MIN. MATTE TIN IN SOLDER TAIL AREA OVER 1.27µm/50µin MIN. NICKEL OVERALL.
- 2 - 0.38µm/15µin MIN. GOLD IN CONTACT AREA AND 1.88µm/75µin MIN. MATTE TIN IN SOLDER TAIL AREA OVER 1.27µm/50µin MIN. NICKEL OVERALL.
- 3 - 0.76µm/30µin MIN. GOLD IN CONTACT AREA AND 1.88µm/75µin MIN. MATTE TIN IN SOLDER TAIL AREA OVER 1.27µm/50µin MIN. NICKEL OVERALL.

THIS DRAWING CONTAINS INFORMATION THAT IS PROPRIETARY TO MOLEX ELECTRONIC TECHNOLOGIES, LLC AND SHOULD NOT BE USED WITHOUT WRITTEN PERMISSION

EC NO: 727481 DRWN: DANUSA CHK'D: DANUSA REV APPR: MIRAMAKRISHNA	GENERAL TOLERANCES (UNLESS SPECIFIED)		DIMENSION UNITS		SCALE		molex®						
			MM	INCH	MM	NTS							
	2022/11/07	2022/11/07	4 PLACES	±	±	DRWN BY	DATE	MILLIGRID, 2MM PITCH SHROUDED HEADER R/A, THROUGH HOLE					
			3 PLACES	±	±	GMENARLY	2015/09/29						
			2 PLACES	±	0.2	±	CHK'D BY					DATE	
			1 PLACES	±	±	CGOH	2015/10/30	PRODUCT CUSTOMER DRAWING					
		0 PLACES	±	±	APPR BY	DATE							
		ANGULAR TOL = 3.0		DRAWING SIZE	THIRD ANGLE PROJECTION	SERIES				MATERIAL NUMBER		CUSTOMER	
		DRAFT WHERE APPLICABLE MUST REMAIN WITHIN DIMENSIONS		A3		87833	SEE TABLE		GENERAL MARKET				
RELEASE STATUS	P1	RELEASE DATE	2022/11/07	17:03:16	A14	REV	DOCUMENT NUMBER		DOC TYPE		DOC PART	SHEET NUMBER	
							SD-87833-0001		PSD		001	9 OF 9	