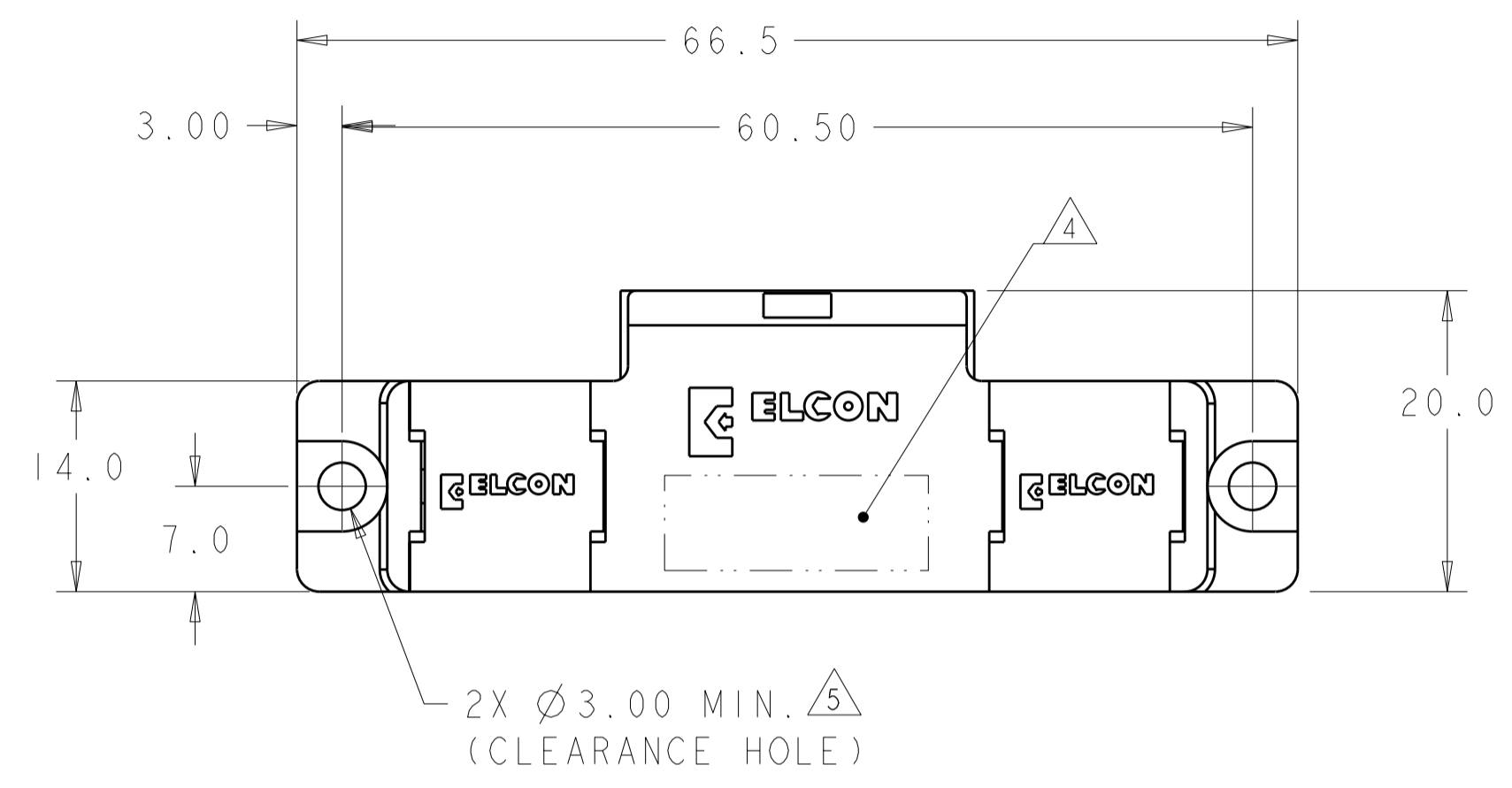


THIS DRAWING IS UNPUBLISHED. RELEASED FOR PUBLICATION 20
 © COPYRIGHT 20 BY TYCO ELECTRONICS CORPORATION. ALL RIGHTS RESERVED.

LOC	DIST	REVISIONS					
GP	00	P	LTR	DESCRIPTION	DATE	DWN	APVD
		A		RELEASED PER ECO-09-019917	26AUG2009	RG	MS



1. PART NUMBER CHANGES AND OR DESIGN CHANGES AFFECTING ITEM INTERCHANGEABILITY REQUIRE PRIOR TYCO ELECTRONICS APPROVAL AND AUTHORIZATION BY REVISION TO THIS DRAWING.

2 MATERIAL: INSULATORS - THERMOPLASTIC, GLASS REINFORCED, UL94V-0 FLAMMABILITY RATED. COLOR: BLACK
 SIGNAL CONTACTS - BRASS ALLOY

3 FINISH: CONTACTS - GOLD PLATE .76µm MIN. THK. OVER NICKEL
 1.27µm MIN. THK. SOLDER TAILS TIN - 3.05µm MIN. THK. OVER NICKEL
 1.27µm MIN. THK

4 ITEMS PROVIDED TO THIS SPECIFICATION TO BE PERMANENTLY IDENTIFIED PER THE FOLLOWING IDENTIFIER LABEL

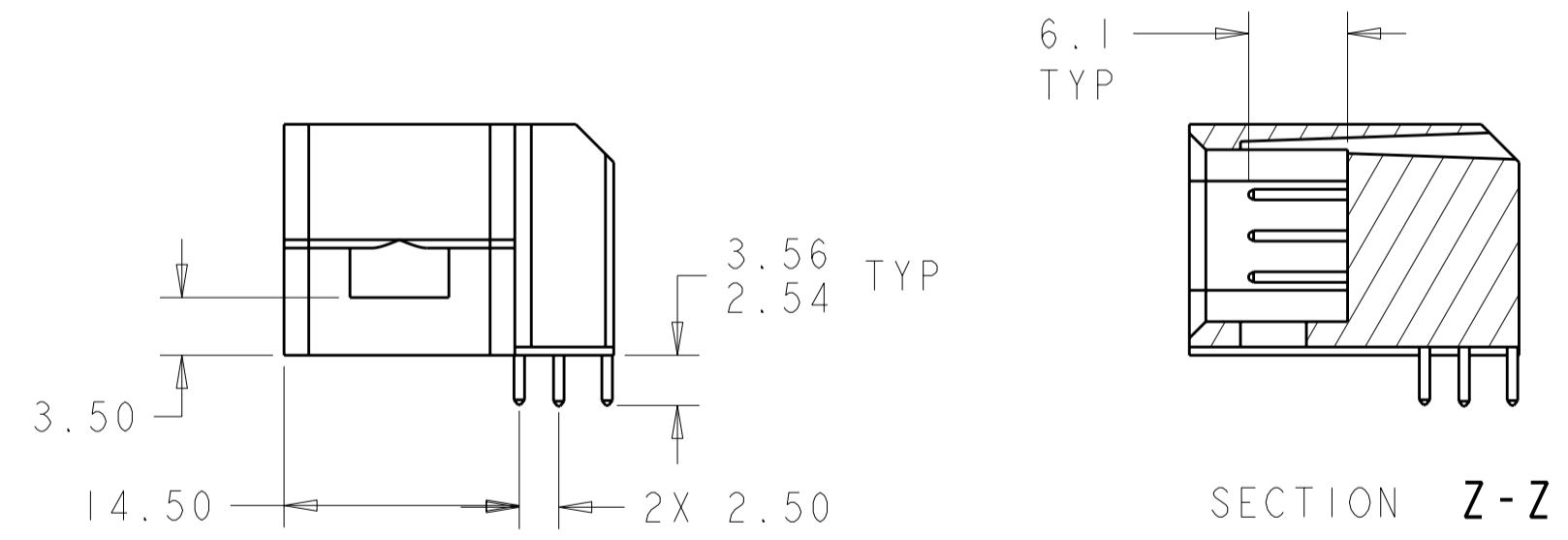
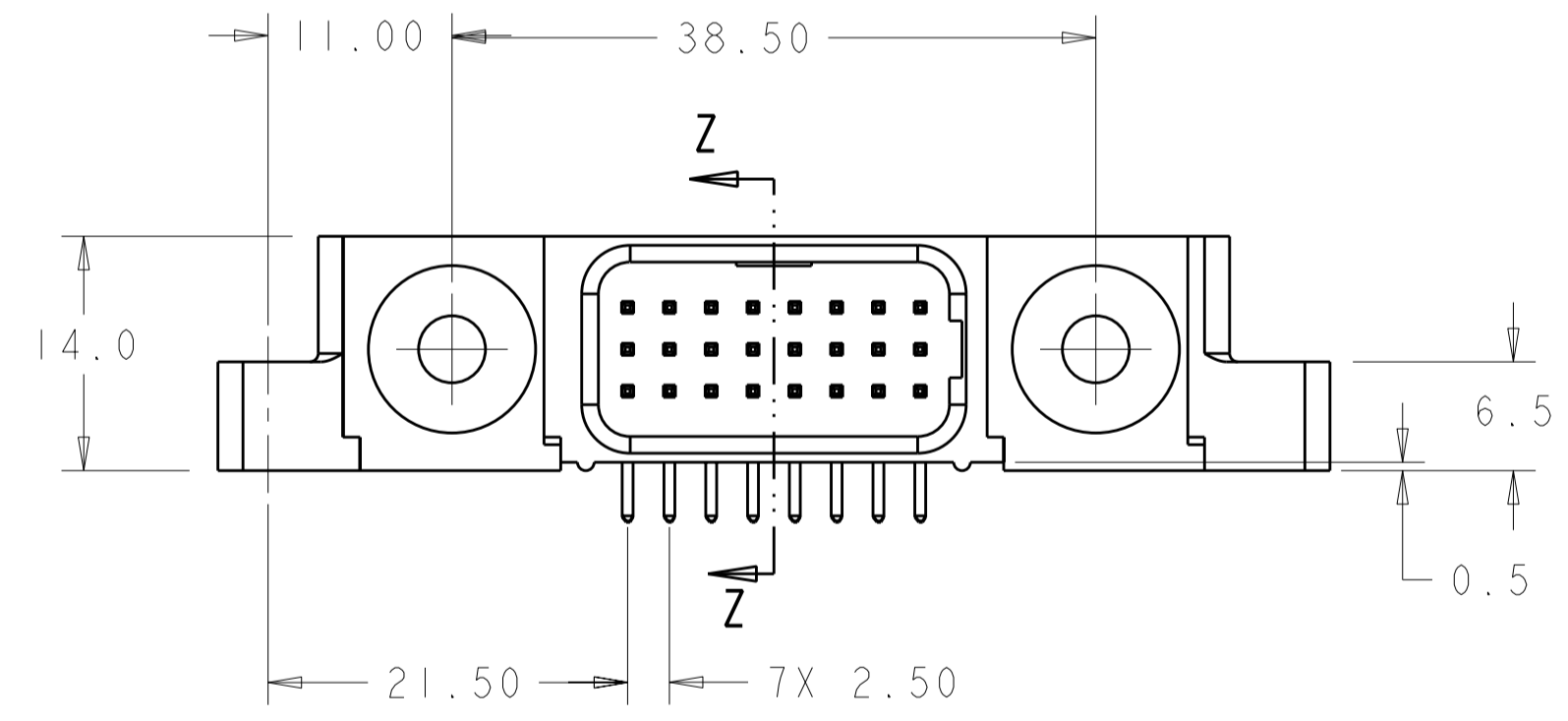
YEAR WEEK

TYCO ELECTRONICS P/N DATE CODE (e.g. 0106)

XXXXXXXX-X XXXX

5 MOUNTING FLANGES ACCEPTS M3 OR #4-40 SCREWS (USER SUPPLIED)

6. THIS CONNECTOR MATES WITH P/N 2085122-1

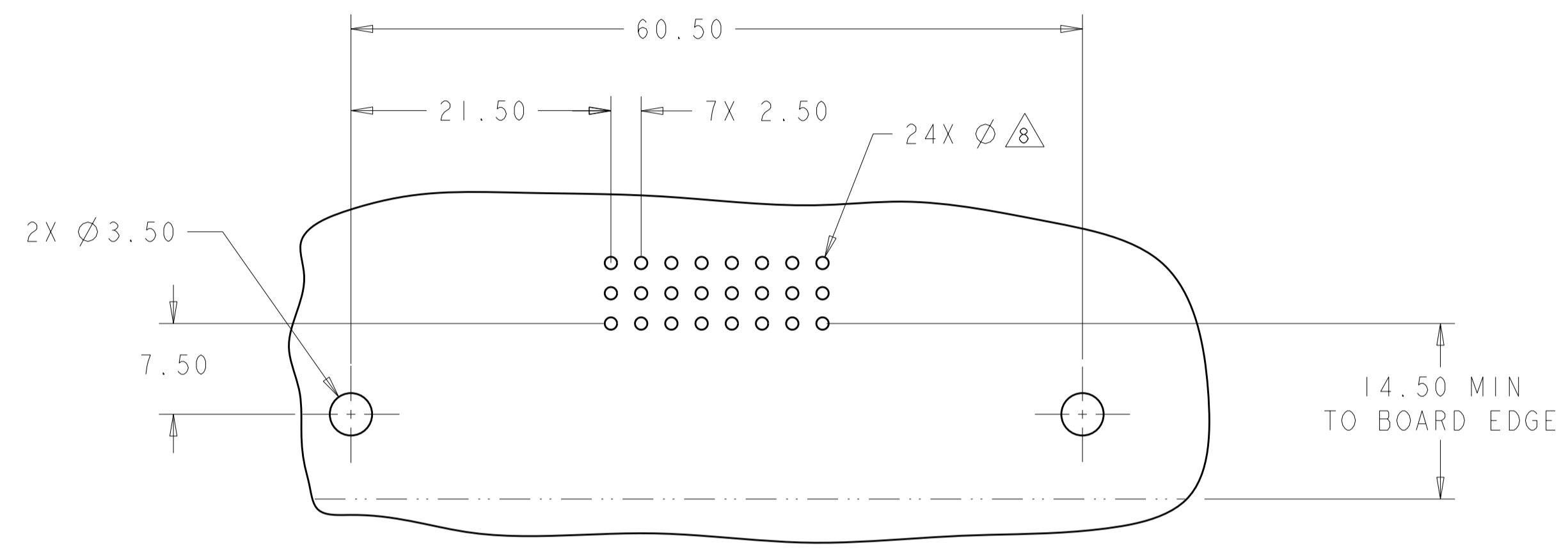


AS SHOWN	2085121-1
DESCRIPTION	PART NUMBER

THIS DRAWING IS A CONTROLLED DOCUMENT FOR TYCO ELECTRONICS CORPORATION. IT IS SUBJECT TO CHANGE AND THE CONTROLLING ENGINEERING ORGANIZATION SHOULD BE CONTACTED FOR THE LATEST REVISION.		DWN R. GRZYBOWSKI 27 JAN 2009	Tyco Electronics Harrisburg, PA 17105-3608
		CHK P. DAMATO 27 JAN 2009	
		APVD M. PERCHERKE 27 JAN 2009	NAME PIN CONNECTOR ASSEMBLY RIGHT ANGLE, SOLDER TAIL FLATPAQ
		PRODUCT SPEC	
DIMENSIONS: mm		APPLICATION SPEC	SIZE CAGE CODE DRAWING NO
TOLERANCES UNLESS OTHERWISE SPECIFIED:		WEIGHT	A200779C-2085121
0 PLC ±.5		CUSTOMER DRAWING	RESTRICTED TO
1 PLC ±.5		SCALE 3:1	SHEET 1 OF 3
2 PLC ±.25			REV A
3 PLC ±.			
4 PLC ±.			
ANGLES ±.5			
FINISH			

THIS DRAWING IS UNPUBLISHED. RELEASED FOR PUBLICATION 20
 © COPYRIGHT 20 BY TYCO ELECTRONICS CORPORATION. ALL RIGHTS RESERVED.

LOC	DIST	REVISIONS			
P	LTR	DESCRIPTION	DATE	DWN	APVD
GP	00	-	SEE SHEET 1	-	-



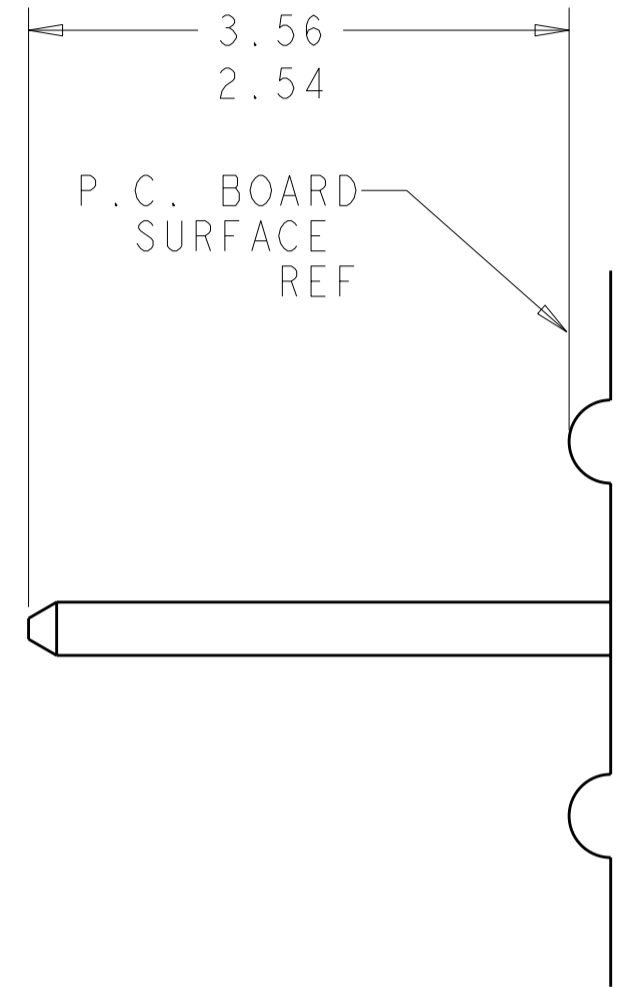
PRINTED CIRCUIT LAYOUT
 COMPONENT SIDE

CONNECTOR	CATALOG MODULE #	QTY	SIZE NO.	CONTACT QTY	MATING PIN	MAX. CURRENT (PER CONTACT)	CONTACT SPACING	VOLTAGE RATING
	FP302	1	22	24	.64 [.025] SQ.	3 amps	2.50 [.0984]	125 VOLTS
	FP506	2	RIGHT ANGLE GUIDE SOCKET					
	FP500	1	LEFT MOUNTING FLANGE					
	FP501	1	RIGHT MOUNTING FLANGE					

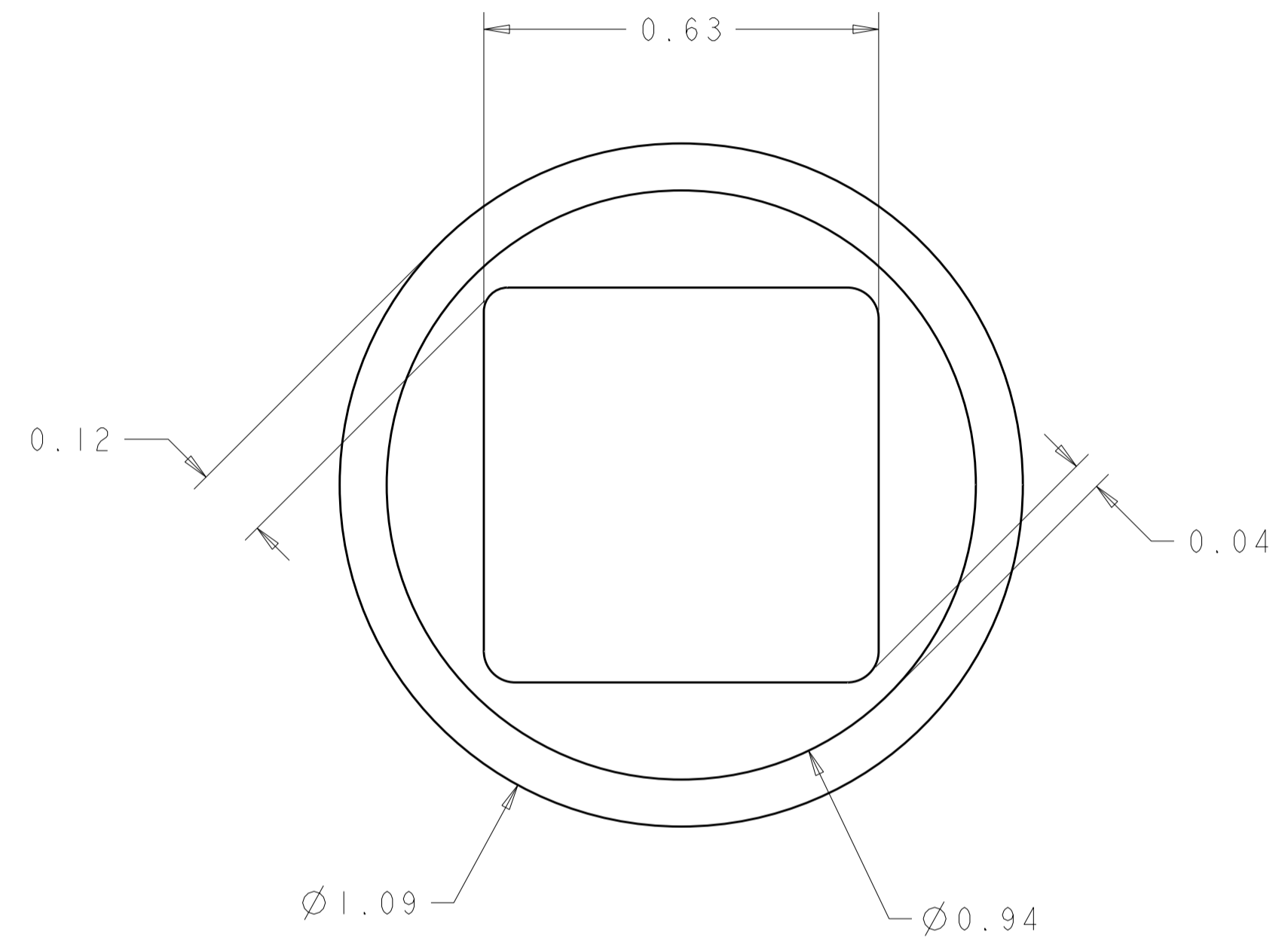
<small>THIS DRAWING IS A CONTROLLED DOCUMENT FOR TYCO ELECTRONICS CORPORATION. IT IS SUBJECT TO CHANGE AND THE CONTROLLING ENGINEERING ORGANIZATION SHOULD BE CONTACTED FOR THE LATEST REVISION.</small>		DWN R. GRZYBOWSKI 27 JAN 2009 CHK P. DAMATO 27 JAN 2009 APVD M. PERCHERKE 27 JAN 2009	Tyco Electronics Tyco Electronics Harrisburg, PA 17105-3608
DIMENSIONS: mm 	TOLERANCES UNLESS OTHERWISE SPECIFIED: 0 PLC ±.5 1 PLC ±.5 2 PLC ±.25 3 PLC ±. 4 PLC ±. ANGLES ±.5 FINISH	PRODUCT SPEC APPLICATION SPEC WEIGHT CUSTOMER DRAWING	NAME PIN CONNECTOR ASSEMBLY RIGHT ANGLE, SOLDER TAIL FLATPAQ SIZE CAGE CODE DRAWING NO RESTRICTED TO A200779C-2085121 -
SCALE 3:1		SHEET 2 OF 3 REV A	

THIS DRAWING IS UNPUBLISHED. RELEASED FOR PUBLICATION 20
 © COPYRIGHT 20 BY TYCO ELECTRONICS CORPORATION. ALL RIGHTS RESERVED.

LOC	DIST	REVISIONS			
P	LTR	DESCRIPTION	DATE	DWN	APVD
GP	00	-	SEE SHEET 1	-	-



7. SOLDER TAIL DETAIL
SCALE 10 : 1



8. SOLDER TERMINATION AREA
SCALE 40:1
RECOMMENDED PRINTED CIRCUIT SOLDER HOLE
FINISHED HOLE: Ø1.02 ±.08
DRILLED HOLE: Ø1.15 ±.013
COPPER PLATE: .025 MIN.
TIN PLATE: .008 MIN. (PER SURFACE)

THIS DRAWING IS A CONTROLLED DOCUMENT FOR TYCO ELECTRONICS CORPORATION IT IS SUBJECT TO CHANGE AND THE CONTROLLING ENGINEERING ORGANIZATION SHOULD BE CONTACTED FOR THE LATEST REVISION.		DWN R. GRZYBOWSKI 27 JAN 2009	Tyco Electronics Harrisburg, PA 17105-3608	
DIMENSIONS: mm		CHK P. DAMATO 27 JAN 2009	NAME PIN CONNECTOR ASSEMBLY RIGHT ANGLE, SOLDER TAIL FLATPAQ	
TOLERANCES UNLESS OTHERWISE SPECIFIED: 0 PLC ±.5 1 PLC ±.5 2 PLC ±.25 3 PLC ±. 4 PLC ±. ANGLES ±.5 FINISH		APVD M. PERCHERKE 27 JAN 2009	SIZE A200779	DRAWING NO C-2085121
MATERIAL		PRODUCT SPEC - APPLICATION SPEC -	RESTRICTED TO -	
-		WEIGHT -	SCALE 3:1	SHEET 3 OF 3 REV A
		CUSTOMER DRAWING		