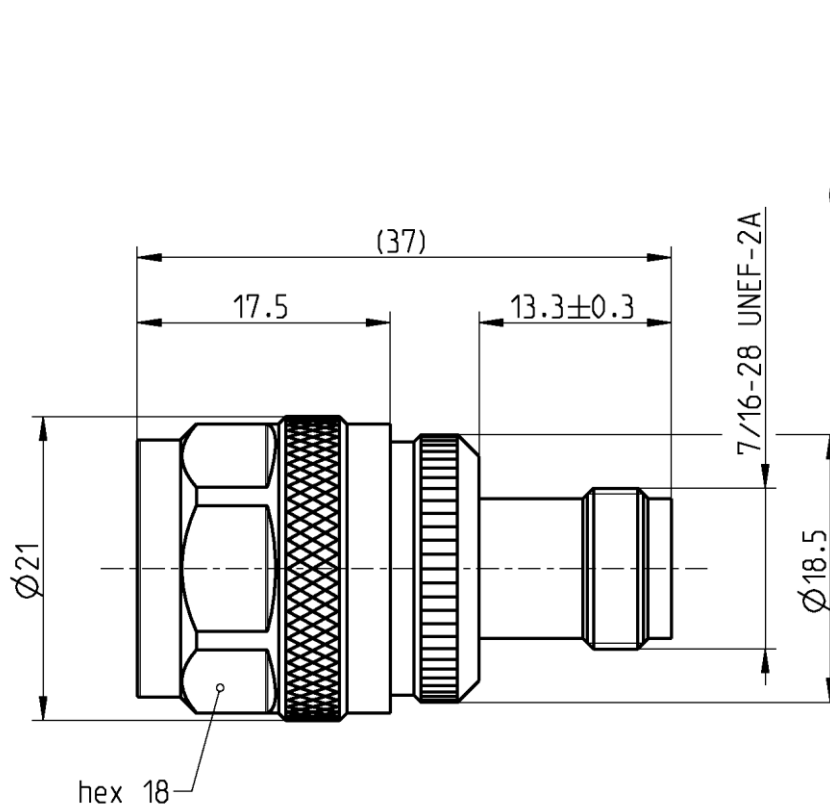


N 50 Ω

Adaptor  
N 50 Ω Pug – TNC Jack

**53S156-K00N5**



All dimensions are in mm; tolerances according to ISO 2768 m-H

**Interface**

According to	N side:	IEC 61169-16, MIL-PRF-39012, CECC 22210
	TNC side:	IEC 60169-17, MIL-PRF-39012, DIN EN 122200

**Documents**

N/A

**Material and plating**

**Connector parts**

Center contact  
Outer contact N side  
Outer contact TNC side  
Dielectric  
Gasket  
Coupling nut

**Material**

CuBe  
Brass  
Brass  
PTFE  
Silicone  
Brass

**Plating**

AuroDur®, gold plated  
Flash white bronze over silver(e.g. Optargen®)  
Flash white bronze over silver(e.g. Optargen®)  
  
Flash white bronze over silver(e.g. Optargen®)

N 50 Ω

Adaptor  
N 50 Ω Pug – TNC Jack

**53S156-K00N5**

**Electrical data**

Impedance	50 Ω	
Frequency	DC to 10 GHz	
Return loss	≥ 28 dB, DC to 1 GHz	
	≥ 24 dB, 1 to 4 GHz	
	≥ 14 dB, 4 to 10 GHz	
Insertion loss	≤ 0.05 dB, DC to 4 GHz	
Insulation resistance	≥ 5 x10 <sup>3</sup> MΩ	
Center contact resistance	≤ 1 mΩ, N side	≤ 1.5 mΩ, TNC side
Outer contact resistance	≤ 0.25 mΩ, N side	≤ 1 mΩ, TNC side
Working voltage	500 V rms	
Power handling (at 20 °C, sea level, VSWR 1.0)	≤ 80 W @ 2 GHz	

**Mechanical data**

	N side	TNC side
Mating cycles	min. 500	min. 500
Coupling nut retention	≥ 450 N	N/A
Center contact captivation: axial	≥ 28 N	≥ 28 N
Coupling test torque	max. 1.7 Nm	max. 1.7 Nm
Recommended torque	0.7 Nm to 1.1 Nm	0.46 Nm to 0.69 Nm

**Environmental data**

Temperature range	-55°C to +155°C
Thermal shock	MIL-STD-202, Meth. 107, Cond. B
Corrosion	MIL-STD-202, Meth. 101, Cond. B
Vibration	MIL-STD-202, Meth. 204, Cond. B
Shock	MIL-STD-202, Meth. 213, Cond. I
Moisture resistance	MIL-STD-202, Meth. 106
RoHS	compliant

**Tooling**

N/A

**Suitable cables**

N/A

**Weight**

Weight 35.3 g/pce

While the information has been carefully compiled to the best of our knowledge, nothing is intended as representation or warranty on our part and no statement herein shall be construed as recommendation to infringe existing patents. In the effort to improve our products, we reserve the right to make changes judged to be necessary.

For the installation of the electrotechnical equipment, particular electrotechnical expertise is required.



Draft	Date	Approved	Date	Rev.	Engineering change number	Name	Date
Inge Mühlauer	08.06.04	Chr. Janßen	27.01.21	f00	20-1927	S. Huber-Siegl	27.01.21
Rosenberger Hochfrequenztechnik GmbH & Co. KG P.O.Box 1260 D-84526 Tittmoning Germany <a href="http://www.rosenberger.com">www.rosenberger.com</a>					Tel. : +49 8684 18-0 Email : <a href="mailto:info@rosenberger.com">info@rosenberger.com</a>		Page 2 / 2