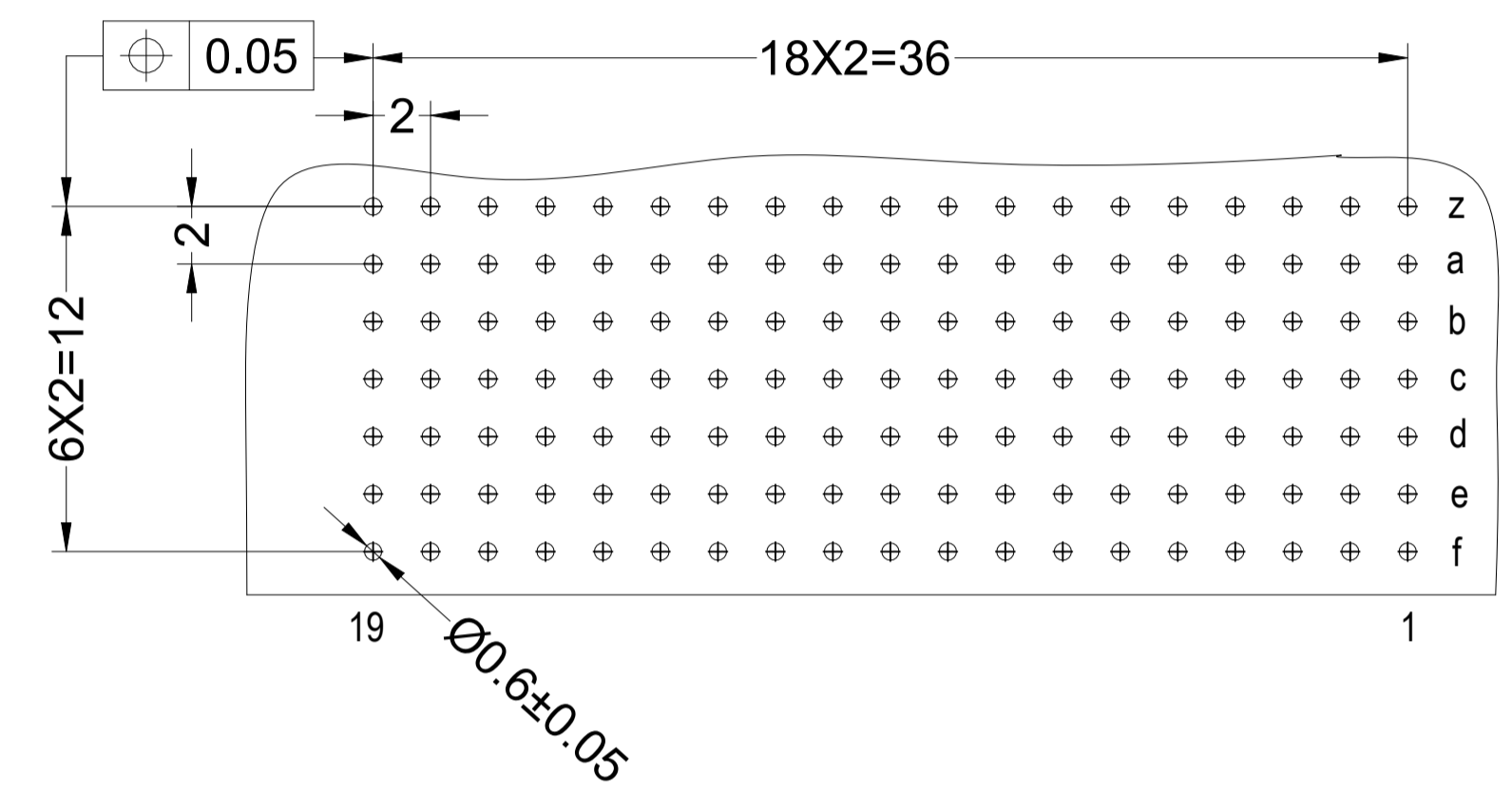
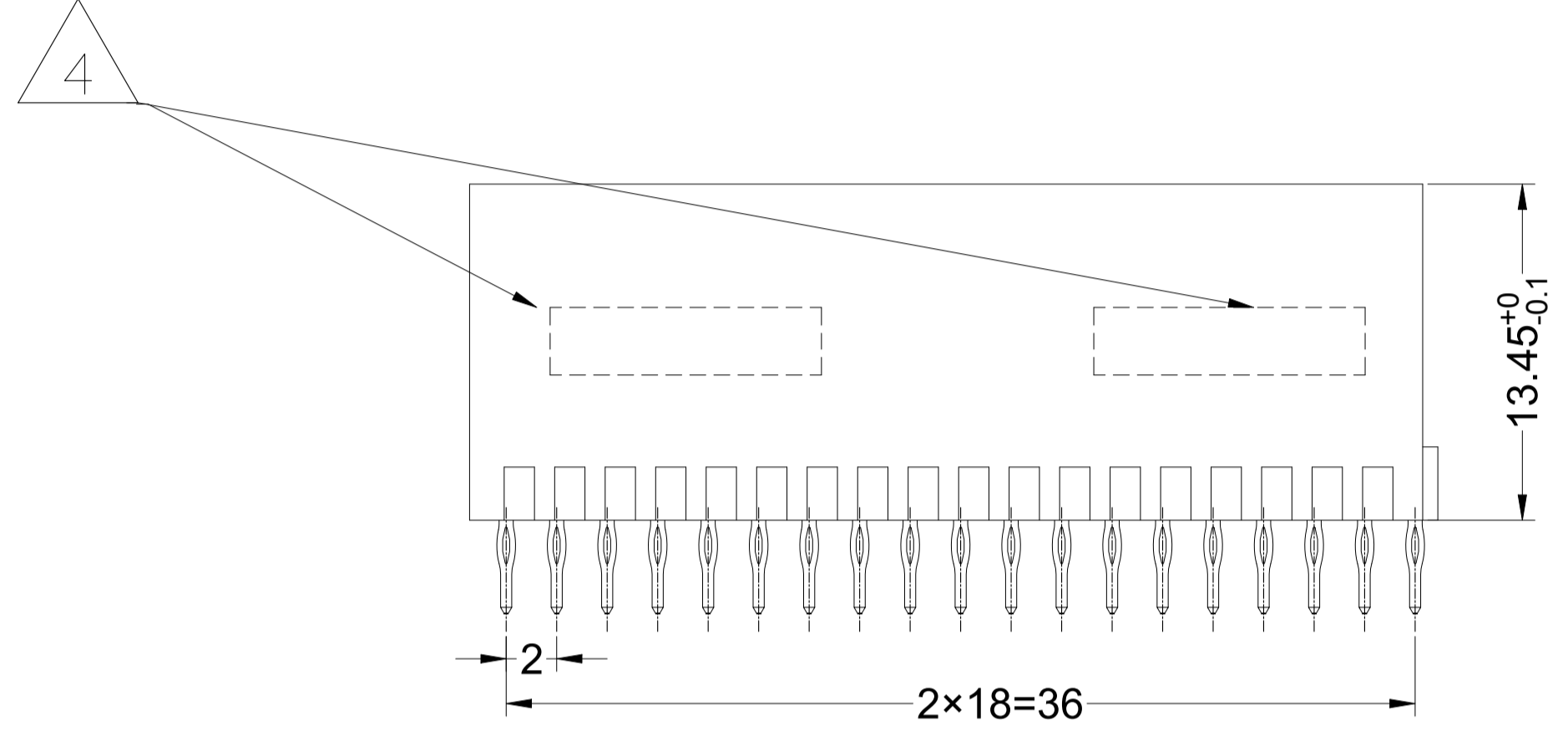
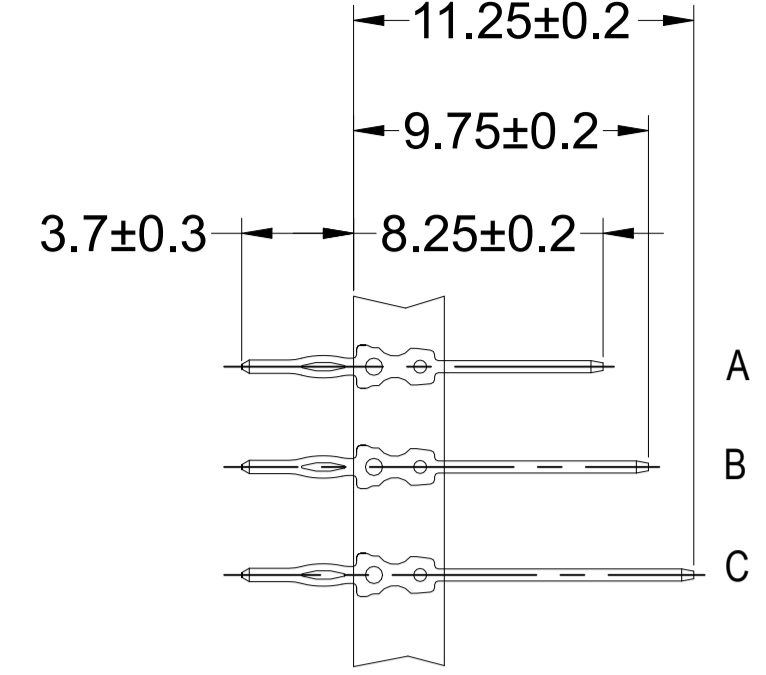
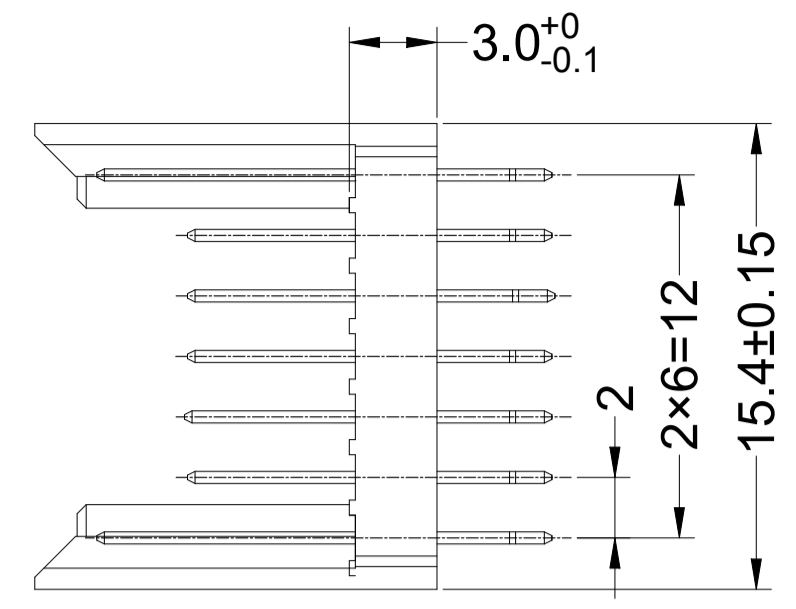
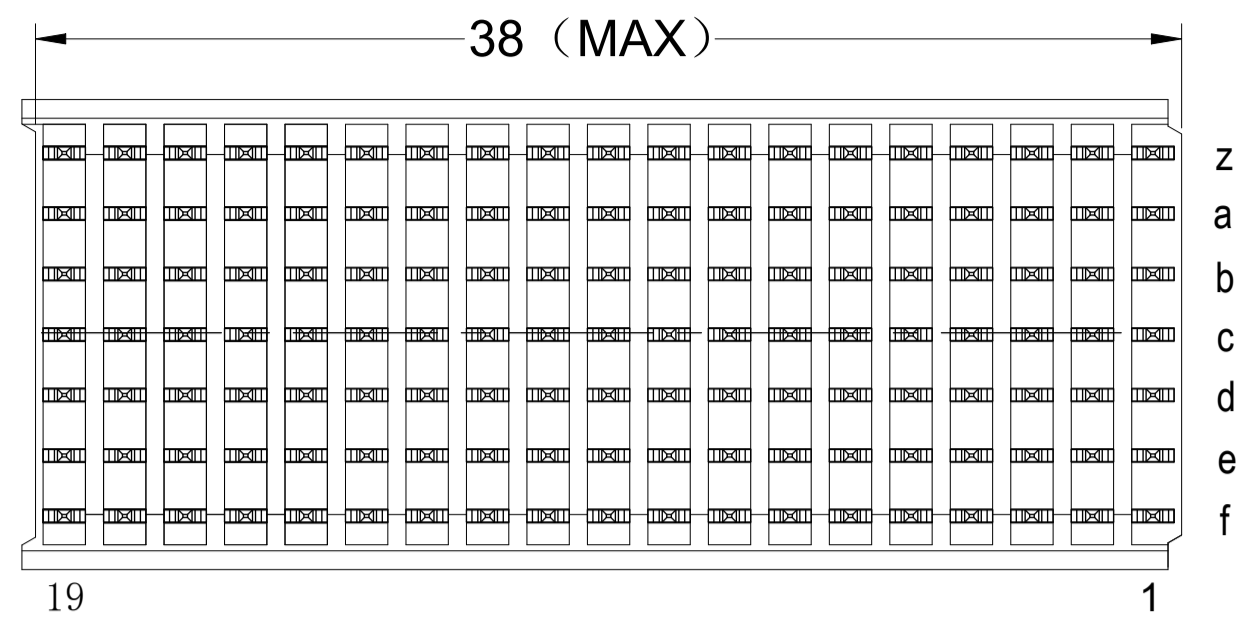


REVISIONS				
P	LTR	DESCRIPTION	DATE	APP'D
A		INITIAL DRAWING	18OCT2021	TL HL



RECOMMEND PCB-HOLE LAYOUT  
 COMPONENT SIDE SHOWN  
 TOLERANCE ±0.05

19	18	17	16	15	14	13	12	11	10	9	8	7	6	5	4	3	2	1	
C	C	C	C	C	C	C	C	C	C	C	C	C	C	C	C	C	C	C	z
A	A	A	A	A	A	A	A	A	A	A	A	A	A	A	A	A	A	A	a
A	A	A	A	A	A	A	A	A	A	A	A	A	A	A	A	A	A	A	b
A	A	A	A	A	A	A	A	A	A	A	A	A	A	A	A	A	A	A	c
A	A	A	A	A	A	A	A	A	A	A	A	A	A	A	A	A	A	A	d
A	A	A	A	A	A	A	A	A	A	A	A	A	A	A	A	A	A	A	e
C	C	C	C	C	C	C	C	C	C	C	C	C	C	C	C	C	C	C	f

- 1 MATERIAL:  
 CONTACT: COPPER ALLOY.  
 HOUSING: GLASS-FILLED POLYESTER.
- 2 GENERAL PLATING SPECIFICATION: UNDERPLATING  
 (ENTIRE CONTACT): 1.27µm MIN NICKEL AND ACTION  
 PIN: 0.5µm MIN TIN.  
 FOR PLATING OF MATING SURFACES SEE APPLICABLE  
 SPECIFICATION REFERENCE FOR EACH DASH NUMBER.
- 3 CONFORMS TO ALL TESTING ACCORDING TO IEC 61076-4-101  
 PERFORMANCE LEVEL 2.
- 4 CONNECTOR MARKED WITH PART NUMBER AND DATE CODE.

2/3	2391903-1
FINISH	PART NUMBER

THIS DRAWING IS A CONTROLLED DOCUMENT.		DIN TONY LI 27MAY2021		NAME MALE ASSEMBLY, Z-PACK 2mm HM, 133P	
DIMENSIONS: mm		CHK ALEX XU 27MAY2021		PRODUCT SPEC 108-19082	
TOLERANCES UNLESS OTHERWISE SPECIFIED:		APVD HOPE LU 27MAY2021		APPLICATION SPEC 114-160149	
0-PLC ±		SIZE A1		RESTRICTED TO	
1-PLC ±0.2		CAGE CODE 00779		DRAWING NO. 2391903	
2-PLC ±		WEIGHT 0		SCALE 4:1	
3-PLC ±		CUSTOMER DRAWING		SHEET 1 of 1	
4-PLC ±				REV A	
ANGLES ±					
MATERIAL 1		SEE TABLE			