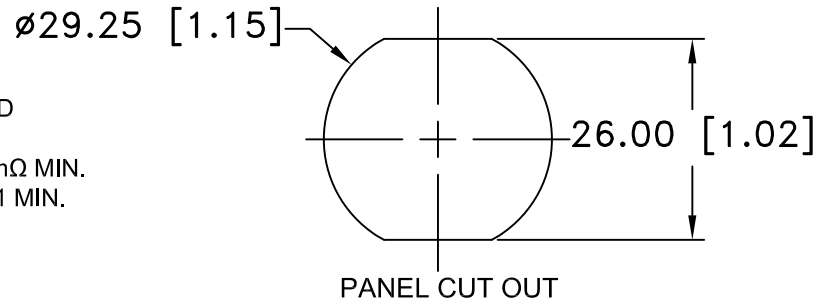


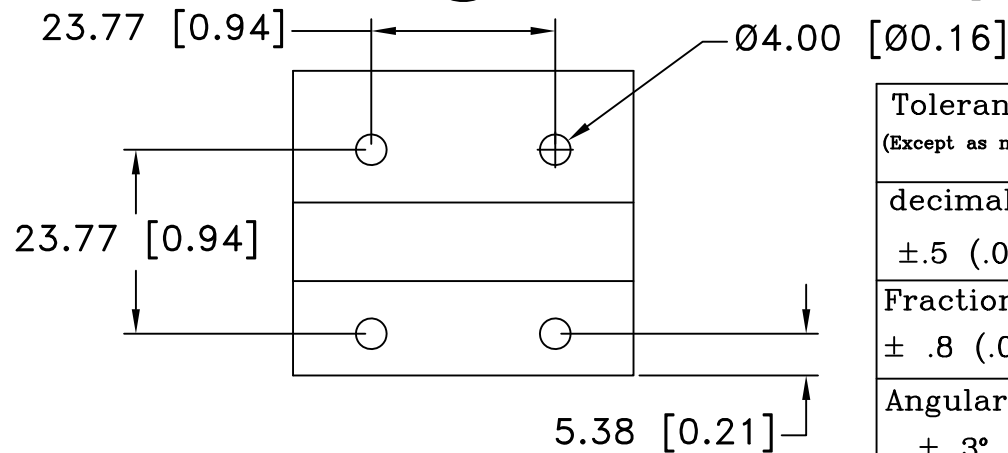
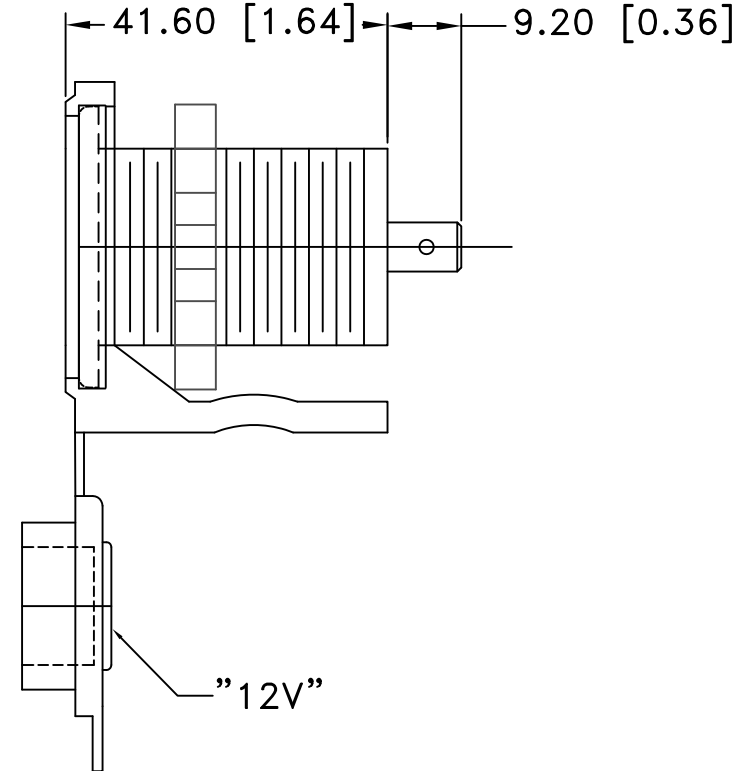
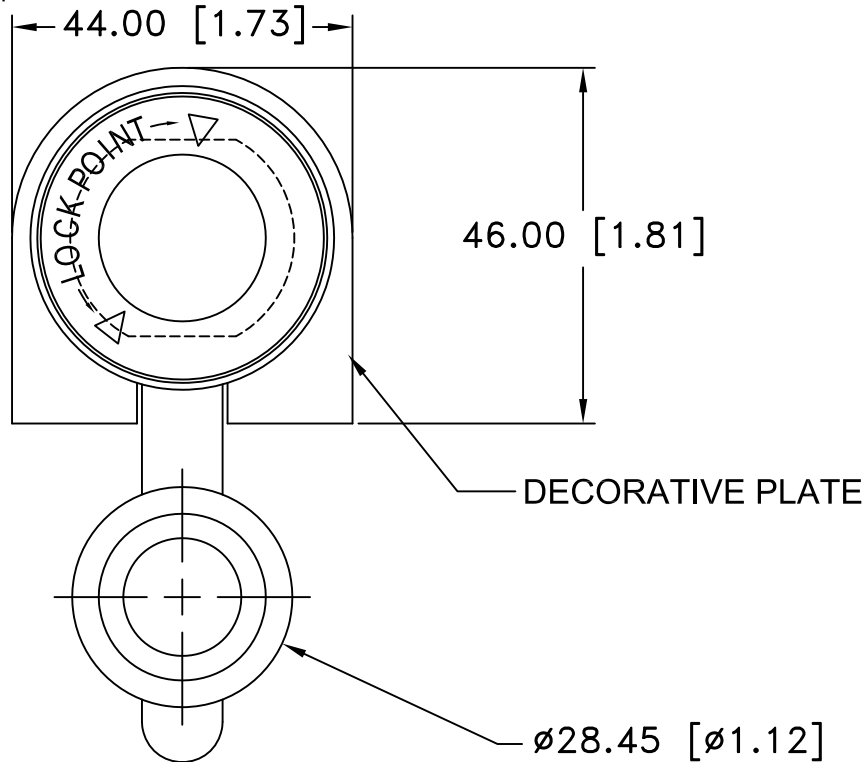
MATERIAL SPECIFICATION:


COVER: PVC
 BODY: NYLON #66
 CONTACTS: BRASS, NICKEL PLATED
 RATING: 50mΩ Max
 INSULATION RATING: 500VDC, 100mΩ MIN.
 DIELECTRIC STRENGTH: 1500VAC 1 MIN.
 NUT: NYLON #66
 BASE: NYLON #66
 DECORATIVE PLATE: NYLON #66
 RATING: 12V, 20AMP



Date	SYM	REVISION RECORD	AUTH	DR.	CK.
07/29/11	A	ADDED ROHS COMPLIANT	T.B.	B.S.	

ROHS COMPLIANT



Tolerance (Except as noted)	 Memory Protection Devices, Inc 200 Broad Hollow Road, Farmingdale, New York 11735		
decimal ±.5 (.020)	Scale	Drawn By B.S.	
Fractional ± .8 (.030)	Approved By T.B.		
Angular ± 3°	Title	12V CIGARETTE SOCKET, 20AMP	
	Date	Drawing Number	
	07/29/11	AS212-L	