

**MADE
IN THE USA****Related Products (each sold separately):**

- KS101-0029 - Floor Stand With Backplate (shown below)
- KS102-0029 - Floor Stand With Backplate and Drip Tray

**Product Description:**

- Sign Holder for KS101-0029 & KS102-0029 Floor Stands
- Holds 5.50" x 8.50" sign with a 4.50" x 8.25" visible area
- Mounts vertically with attached double sided tape to a KS101-0029 or KS102-0029 (sold separately)
- Quartz Beige ABS Plastic

Primary Area for Product Usage:

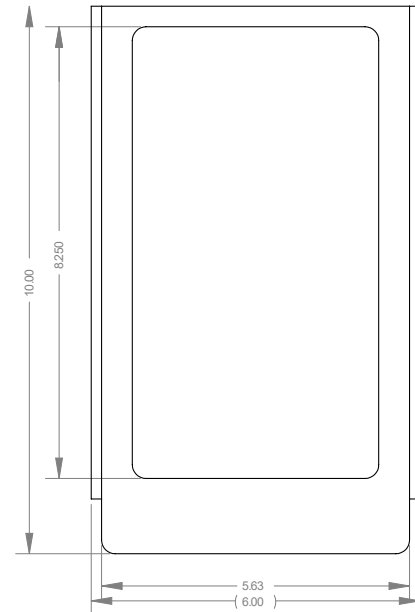
- Anywhere a sanitizer stand is needed
- All ports of entry

Package Specifications:

- Package Quantity: 12 per case
- 14"L x 12"W x 8.5"H (35.6 cm x 30.5 cm x 21.6 cm)
- 5.0 lbs (2.3 kg) - approximated

Product Specifications (overall external dimensions):

- 6.00"W x 10.00"H x 0.38"D (15.2 cm x 25.4 cm x 1.0 cm)
- 0.5 lbs (0.2 kg) - approximated

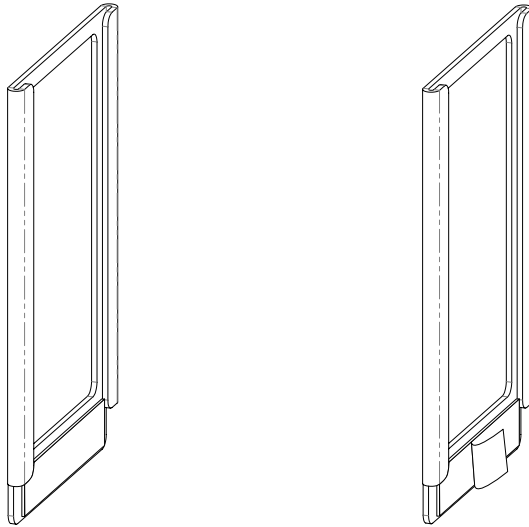
Mounting Specifications:



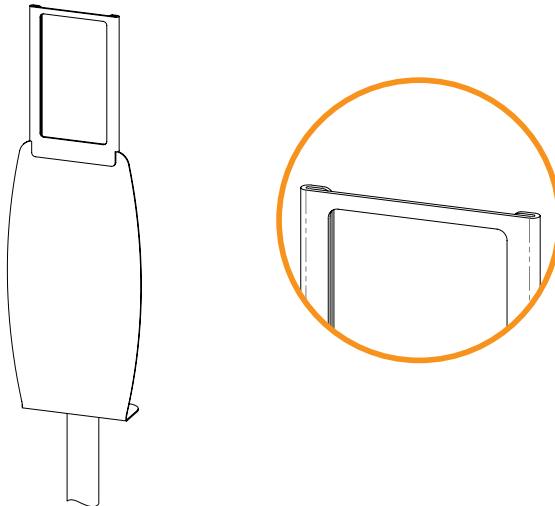
Installation

Always mount dispensers securely *prior* to loading with product.

- Peel off VHB tape backing on the back of the sign holder.
- Press to top of floor stand back plate on front. (The front is the side without the L.)



- Shown on KS201-0029 (sold separately) below, sign can be inserted through the top.
- Free downloadable signs are available at www.BowmanDispensers.com.



Parts included:

- Dispenser

Tools Required:

- No tools required to assemble dispenser

Care and Construction

ABS Plastic

Material Characteristics

Designed for Long-Term, Heavy-Duty Applications

The combination of copolymers (Acrylonitrile, Butadiene, and Styrene) gives ABS an excellent combination of strength, rigidity, and toughness. The fauxwood finish is ARVINYL laminate created from a semi-rigid film.

ABS is chemical and stress-crack resistant. It is tough, dimensionally stable, and will hold up to long-term use. To ensure product longevity, fauxwood products should not be mounted in very hot or cold areas.

Care and Cleaning

Use mild soap and water to clean. Petroleum-based oils, solvents, and paints should not be used.

Standard hospital cleaning supplies are approved for use on our ABS plastic products.