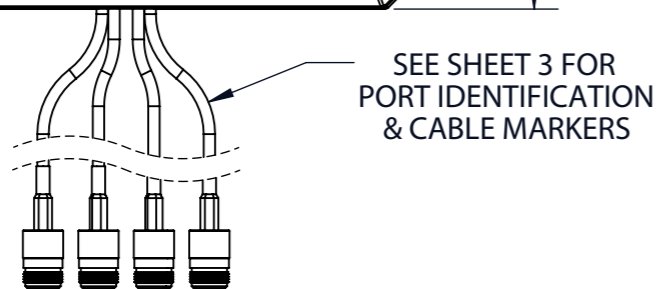
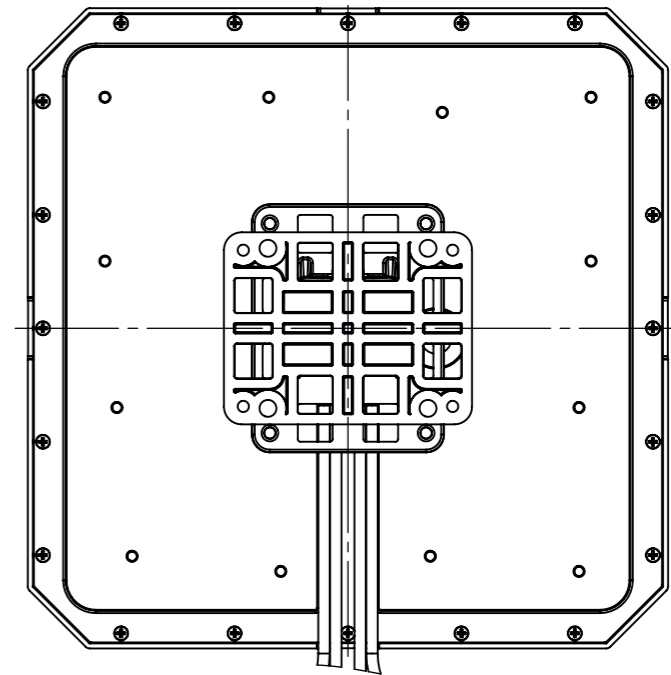
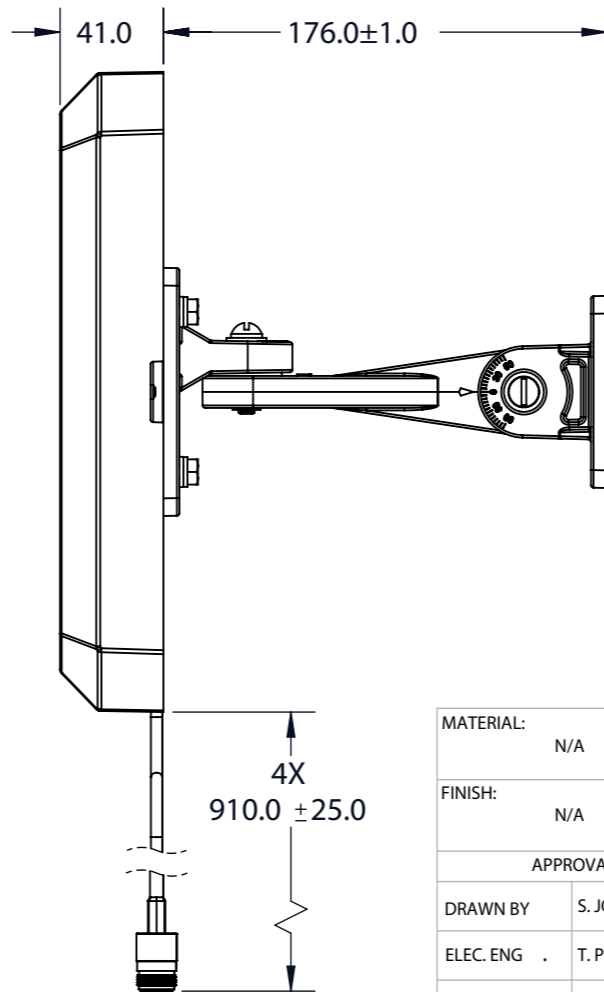
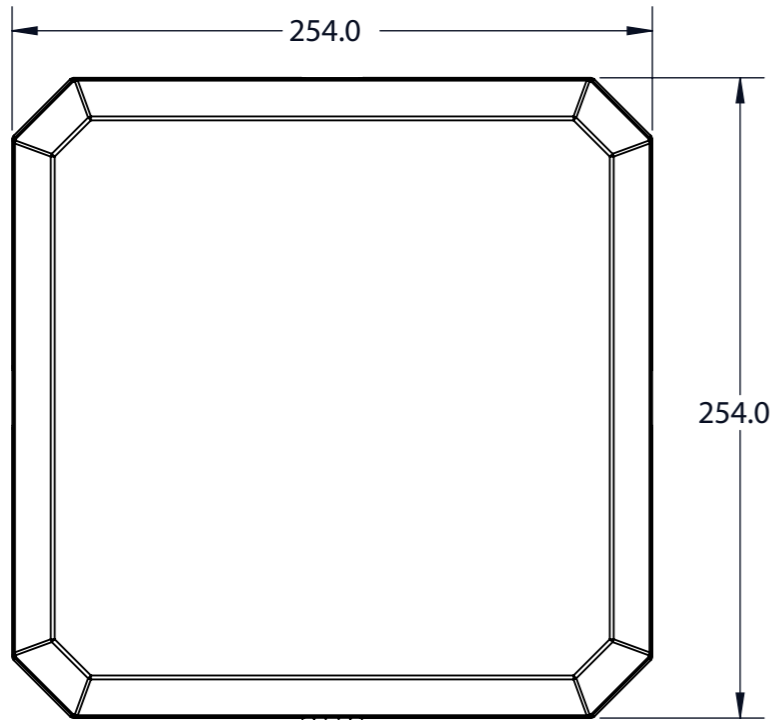


Parameter	Performance	
TE Model Number	PDQ24499-91NF	
Frequency	2400-2500 MHz	4900-5950 MHz
Peak Gain	7.8 dBi	9.4 dBi
Azimuth Plane 3-dB Beamwidth V-Pol, Typical	75°	62°
Azimuth Plane 3-dB Beamwidth H-Pol, Typical	66°	57°
Elevation Plane 3-dB Beamwidth V-Pol, Typical	62°	50°
Elevation Plane 3-dB Beamwidth H-Pol, Typical	73°	65°
Polarization	2 Ports Horizontal, 2 Ports Vertical	
VSWR	<2.0:1	
Impedance	50 Ω	
Maximum Input Power (per port)	10 Watts	
Port to Port Isolation	>30 dB	
F/B Ratio	>15 dB	
Cable Length	(4X 860 mm ±25.0)	
Cable Type	Low Temperature, Plenum Rated Cable	
RF Connector	4X Type-N Female	
Radome Material	Polycarbonate, UL94 V0, UV Stable, White	
Weight	1.14 kg (2.50 lb) w/out Mount	
Mounting	Articulating Mount, Mast or Flush Mount	
Wind Surface Area	@0°, 0.063 m ² (0.68 ft ²)	@90°, 0.016 m ² (0.17 ft ²)
Wind Survival	220 km/h (137 mph)	
Wind Operational	160 km/h (100 mph)	
Ingression Protection	IP-67	
Operating Temperature	-40 °C to +70 °C	
Operating Humidity (RH)	5% to 100% (non-condensing)	
Storage Temperature	-40 °C to +85 °C	
Storage Humidity (RH)	5% to 95% (non-condensing)	

REVISIONS					
REV.	ECN#	ZONE	DESCRIPTION	CHANGED BY/DATE	APPROVED BY/DATE
AA	ECN-IAS-04272		PRODUCTION RELEASE	S.J. 26JUN15	S.J. 26JUN15
F01	ECN-IAS-04893		UPDATED GAIN AND BEAMWIDTHS BASED ON PRODUCTION DATA	S.J. 07DEC15	T.P. 07DEC15
F02	ECN-IAS-05044		CHANGED RADOME MATERIAL FROM PC/ABS, WHITE TO POLYCARBONATE, UL94 V0, UV STABLE, WHITE	S.J. 01FEB16	M.M. 01FEB16
F03	ECN-IAS-05879		CHANGED Wind Survival was 200. Changed Wind Operational was 266.	M.L. 11NOV16	S.J. 11NOV16



MATERIAL:	N/A	
FINISH:	N/A	
APPROVALS		DATE
DRAWN BY	S. JOHNSON	23APR15
ELEC. ENG.	T. PETROPOULOS	02JUL15
MECH. ENG.	M. MCGINNIS	02JUL15
MFG./OPS.	B. THATCHER	02JUL15

THIRD ANGLE PROJECTION

DO NOT SCALE DRAWING

INTERPRET DIMENSIONING AND TOLERANCING IN ACCORDANCE WITH ASME Y14.5M-2009

TOLERANCES UNLESS OTHERWISE SPECIFIED

DIMENSIONS ARE IN MILLIMETERS

ANGLE: ±30'
0 PLACE DECIMAL: ±0.5
1 PLACE DECIMAL: ±0.25
2 PLACE DECIMAL: ±0.13

SURFACE ROUGHNESS 1.6

TE connectivity

PDQ24499-91NF

SIZE **A3** DWG. NO. **PDQ24499-91NFMO** REV **F03**

SCALE: 1:3 PREVIOUS# SHEET 1 OF 3

6

5

4

3

2

1

D

D

C

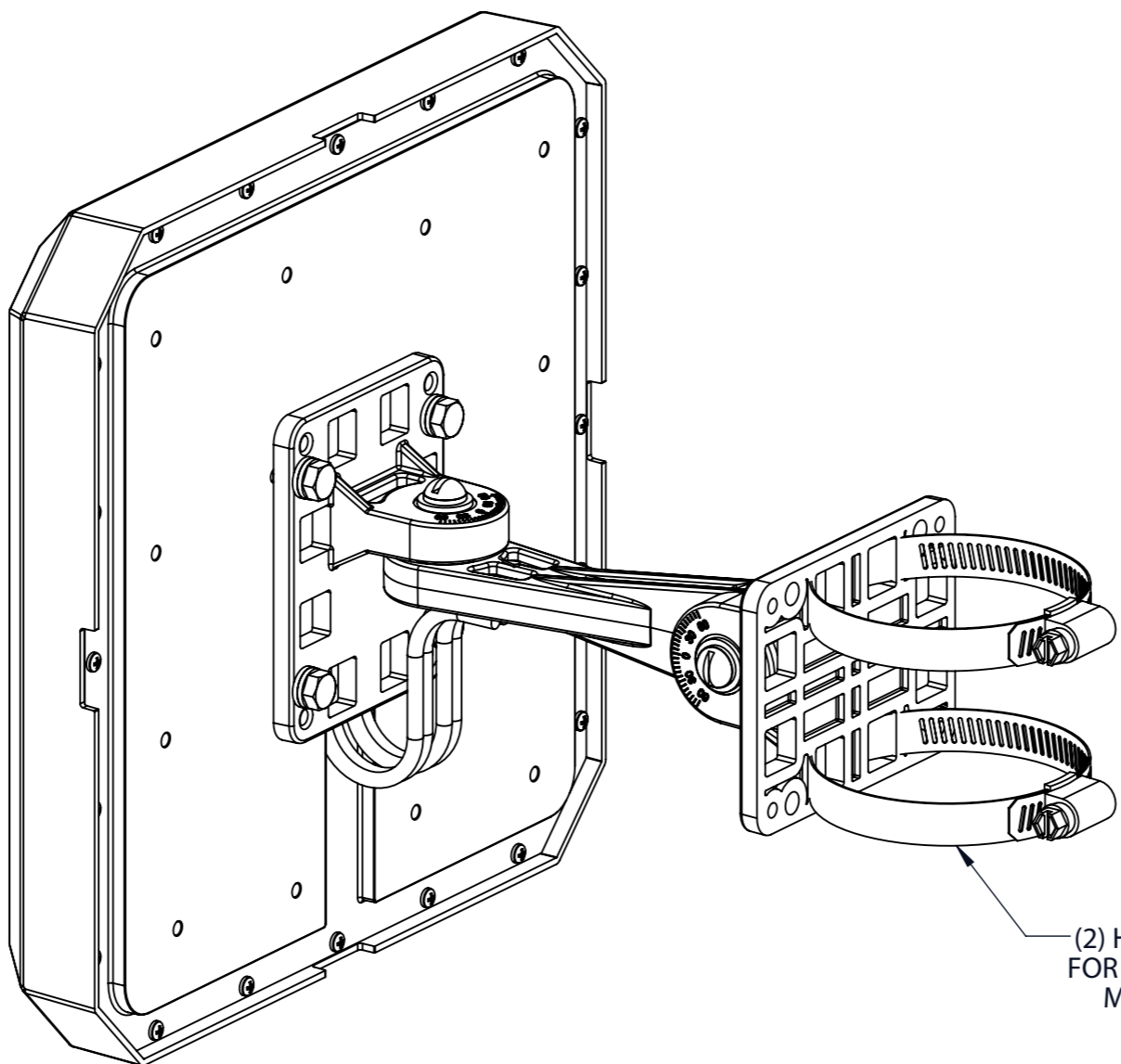
C

B

B

A

A



(2) HOSE CLAMPS PROVIDED
FOR MAST MOUNTING WITH A
MAST RANGE FROM 2"-5"



SIZE A3	DWG. NO. PDQ24499-91NFMO	REV F03
SCALE: 1:2	PREVIOUS#	SHEET 2 OF 3

6

5

4

3

2

1

6 5 4 3 2 1

D

D

C

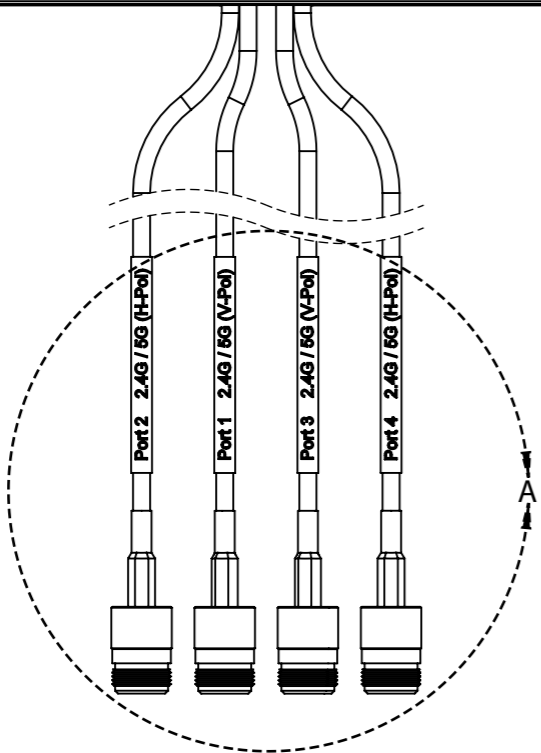
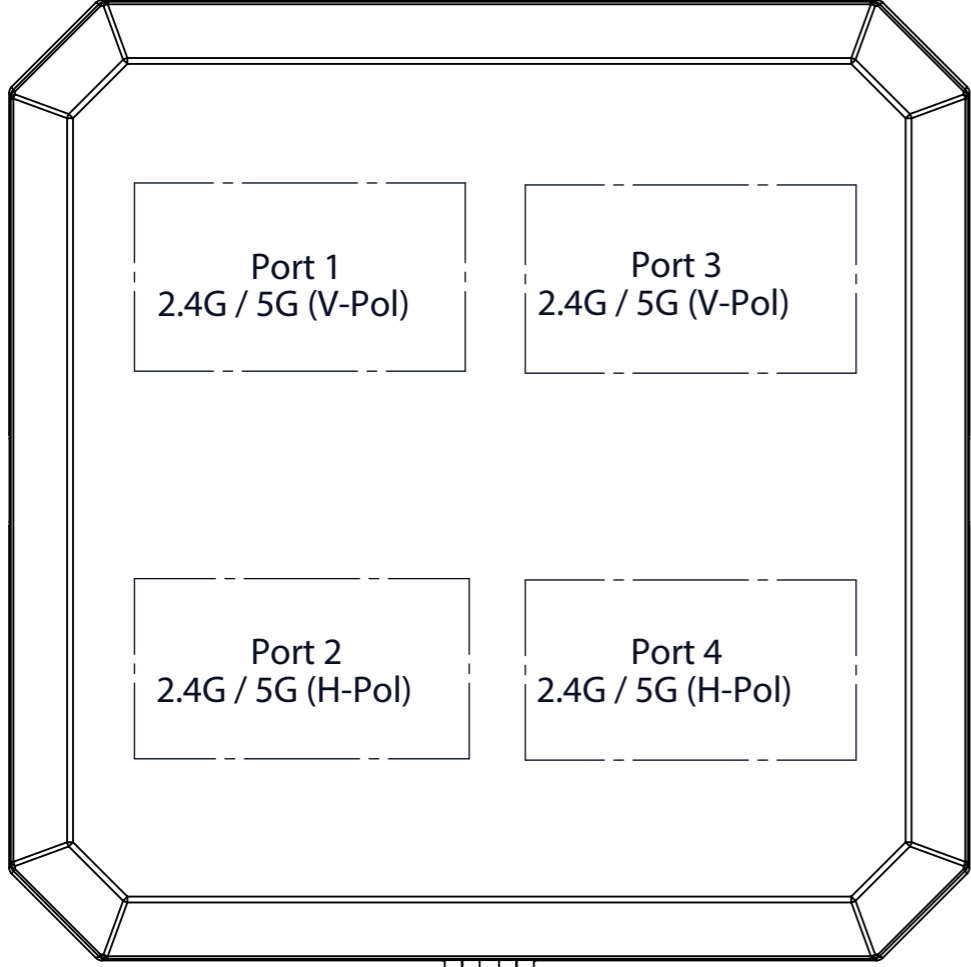
C

B

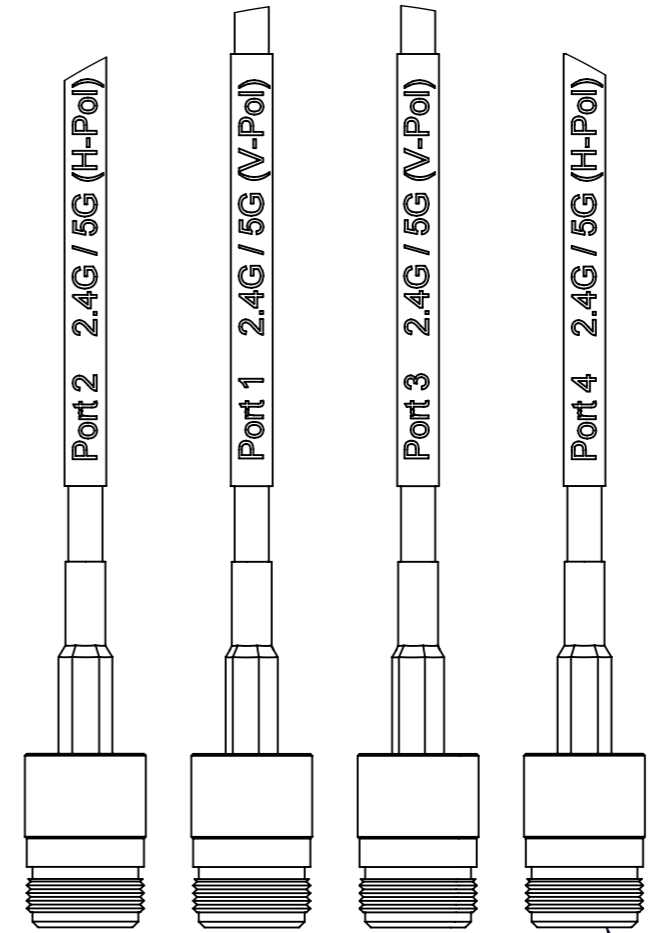
B

A

A



PLEASE NOTE THAT ALL CABLES
EXIT THE HOUSING THROUGH A
CENTRAL HUB AND THE CABLE ORDER
WILL BE SOMEWHAT ARBITRARY.



DETAIL A
SCALE 1:1

4X TYPE-N FEMALE



SIZE A3	DWG. NO. PDQ24499-91NFMO	REV F03
SCALE: 1:2	PREVIOUS#	SHEET 3 OF 3

6 5 4 3 2 1