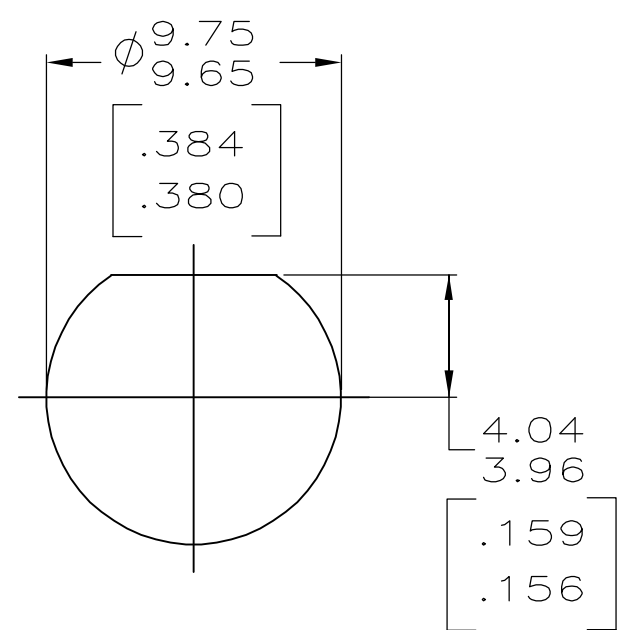
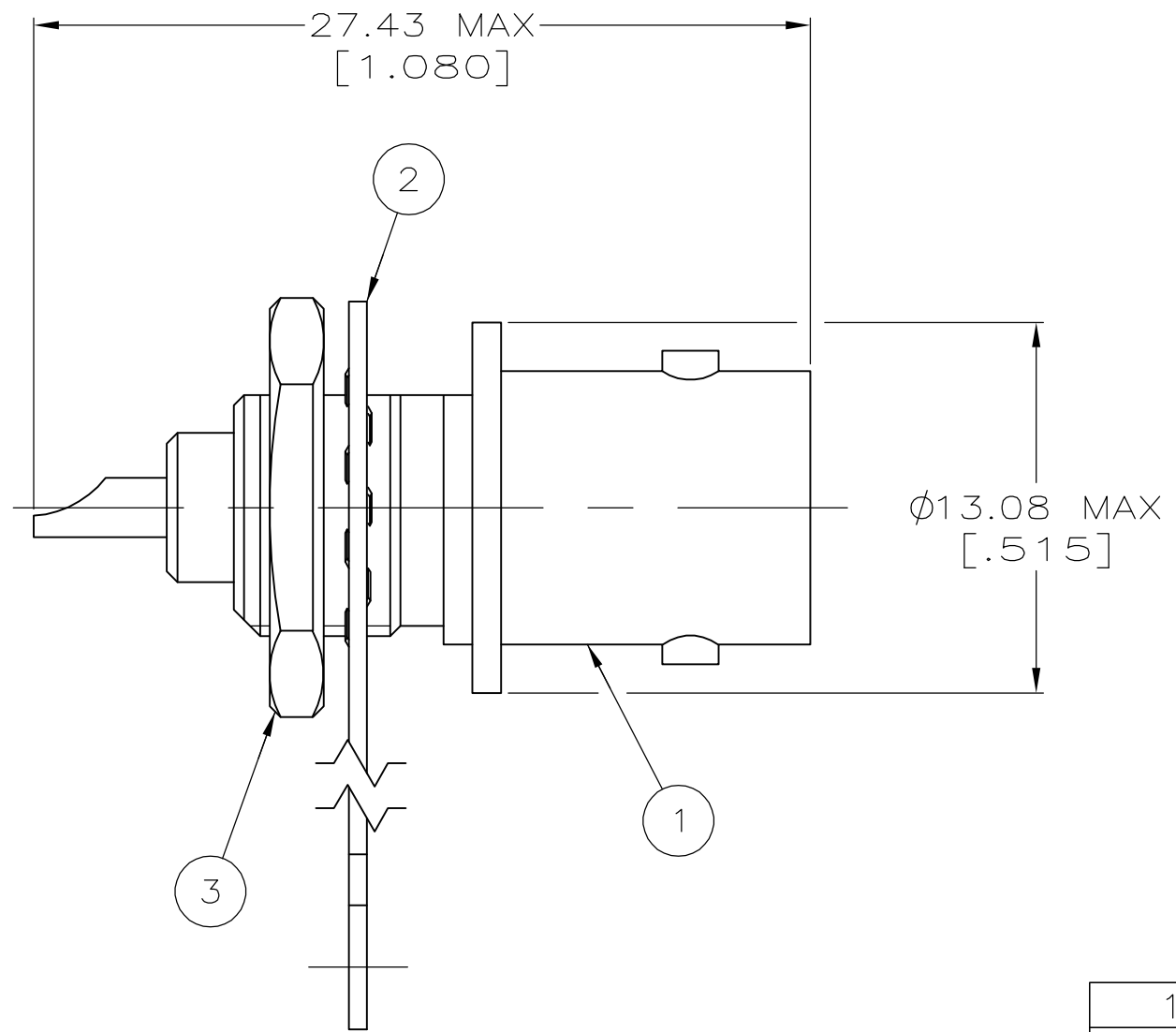


THIS DRAWING IS UNPUBLISHED. RELEASED FOR PUBLICATION
 © COPYRIGHT - BY TYCO ELECTRONICS CORPORATION. ALL RIGHTS RESERVED.

LOC	DIST	REVISIONS			
P	LTR	DESCRIPTION	DATE	DWN	APVD
AJ	16	A	REV PER ECO 06-002539	06APR06	GB JH

1. SEE I.S. 408-9086



RECOMMENDED PANEL CUTOUT

1-330249-1	9-227260-0	221245-1	5221244-1
3 JAM NUT QTY=1	2 LOCKWASHER, TERMINAL QTY=1	1 JACK ASSY QTY=1	PART NUMBER

THIS DRAWING IS A CONTROLLED DOCUMENT.		DWN J. ALCORTA - 21APR2005 DOCK5	Tyco Electronics Corporation Harrisburg, PA 17105-3608					
DIMENSIONS: mm [INCHES]	TOLERANCES UNLESS OTHERWISE SPECIFIED:	CHK J. HAVENER 21APR2005	NAME					
	0 PLC ± -	APVD J. LIPPERT 21APR2005	SOLDER JACK					
	1 PLC ± -	PRODUCT SPEC	75 OHM, SERIES BNC					
MATERIAL	FINISH	APPLICATION SPEC	-					
		108-12079	SIZE	CAGE CODE	DRAWING NO	RESTRICTED TO		
-	-	WEIGHT	-	A300779	C=5221244	-		
CUSTOMER DRAWING			SCALE	4:1	SHEET	1 OF 1	REV	A