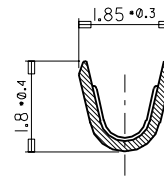
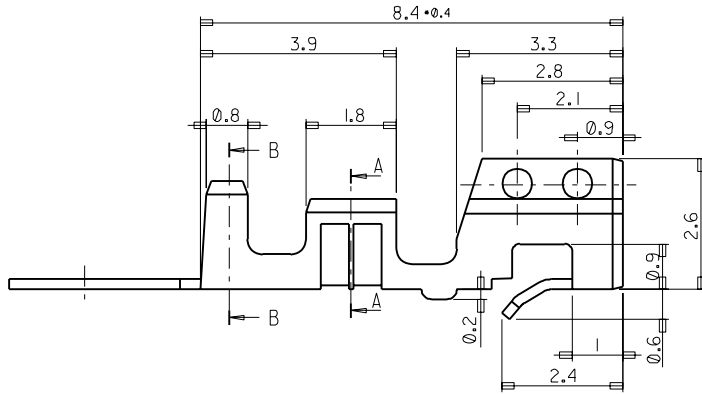
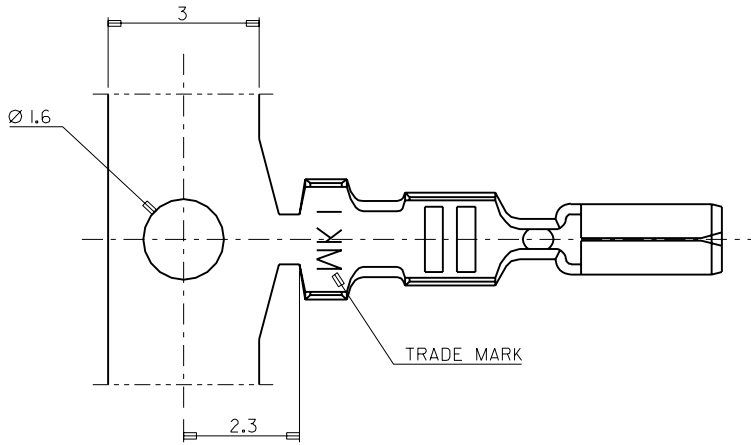
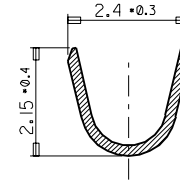


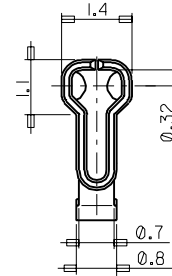
PROJECT NO. 5103-**
 SIMILAR ITEM 5103-**
 EDP NO. 08-700-05*9
 ENG. NO SD 5103-#9



SECTION A-A



SECTION B-B



NOTE

I. APPLICABLE HOUSING : 5102-N, 35155-**-00

PRE-RELEASE
 REFERENCE
 USE ONLY

					PRE-TIN PHOS-BRO.	08-700-0589	5103-PBT9	
					PRE-TIN BRASS	08-700-0569	5103-T9	CHAIN
					MATERIAL	EDP NO.	ENG NO.	FORM
					MATERIAL	SEE TABLE(THK.:0.2)		
					GENERAL TOLERANCE	MOLEX MOLEX-KOREA CO.,LTD.		
					DIMENSION : ±0.2	DRAWN BY	CHK'D BY	
					ANGLE : ±10°	H.S.SHIN		
A	REVISED	KOR7-0074	97/7/02		DIMENSION CLASSIFICATION	APP'D BY	SCALE 10-1	
Ø	NEW RELEASED	97-018	97/2/25		▽ : CRITICAL ▼ : MAJOR	TITLE : MINI SPOX CRIMP SHEET		
LTR	REVISION RECORD	ECN	DATE		() : REFERENCE	RECEPTACLE TERMINAL 1/1		
					ASS'Y PART	ENG. NO. SD-5103-#9		
					DESCRIPTION	REV A		
					ENG. NO.			
					REVISE ONLY ON CAD SYSTEM			