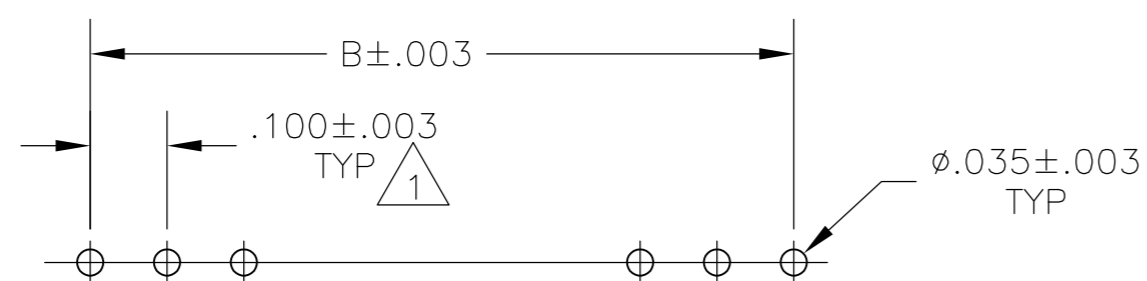
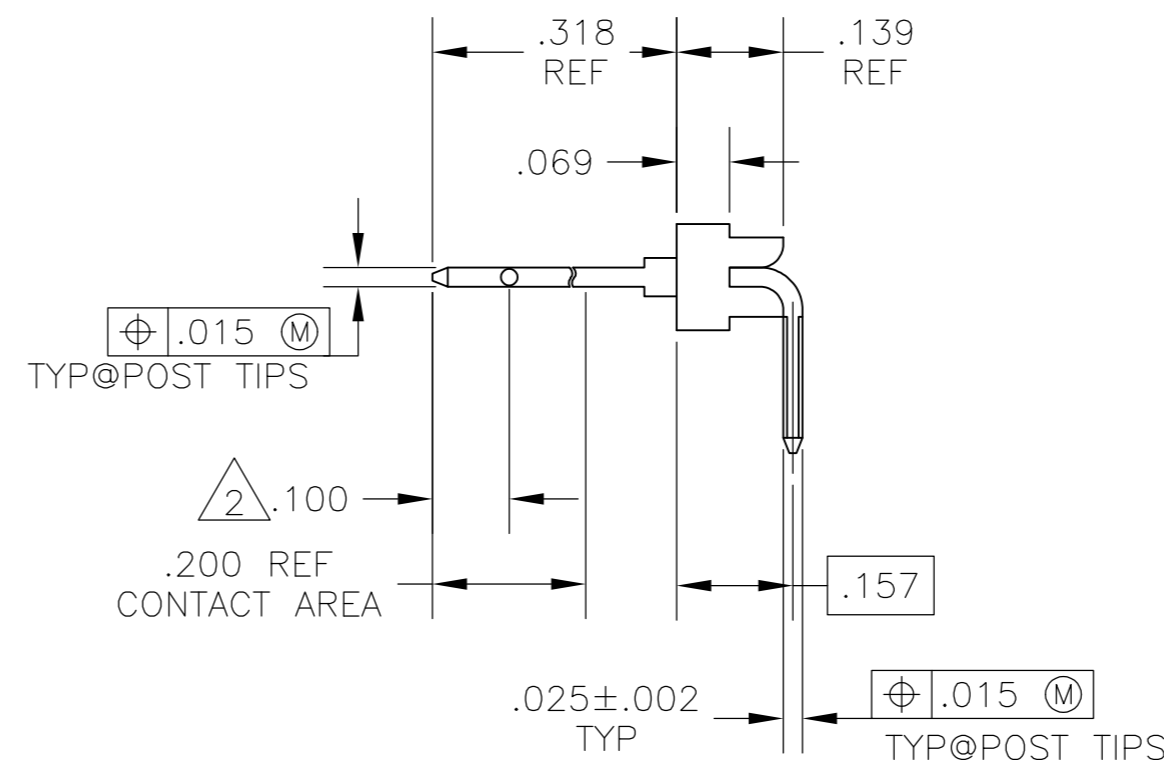
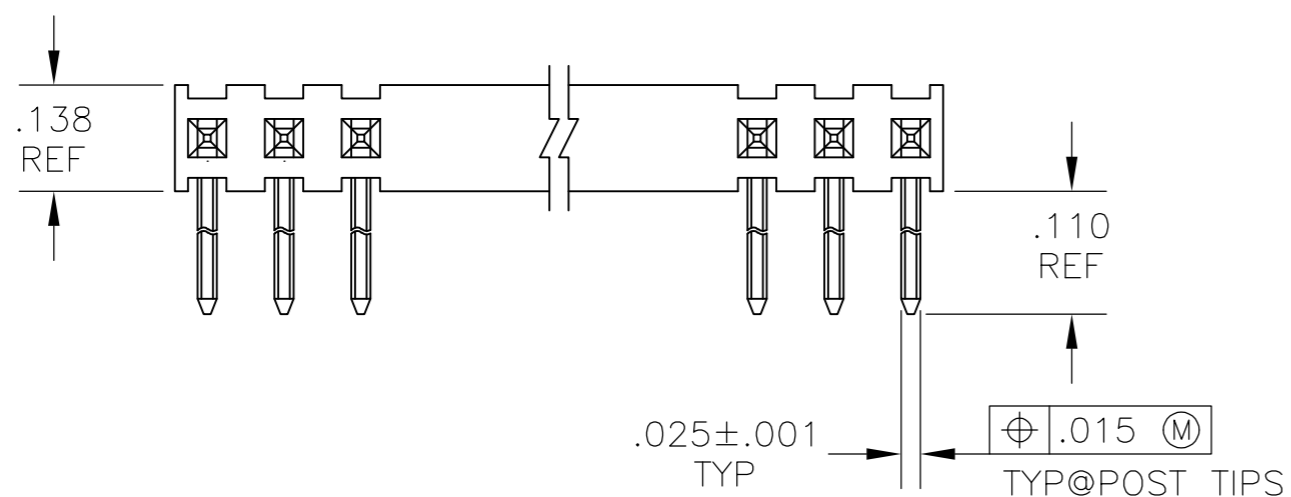
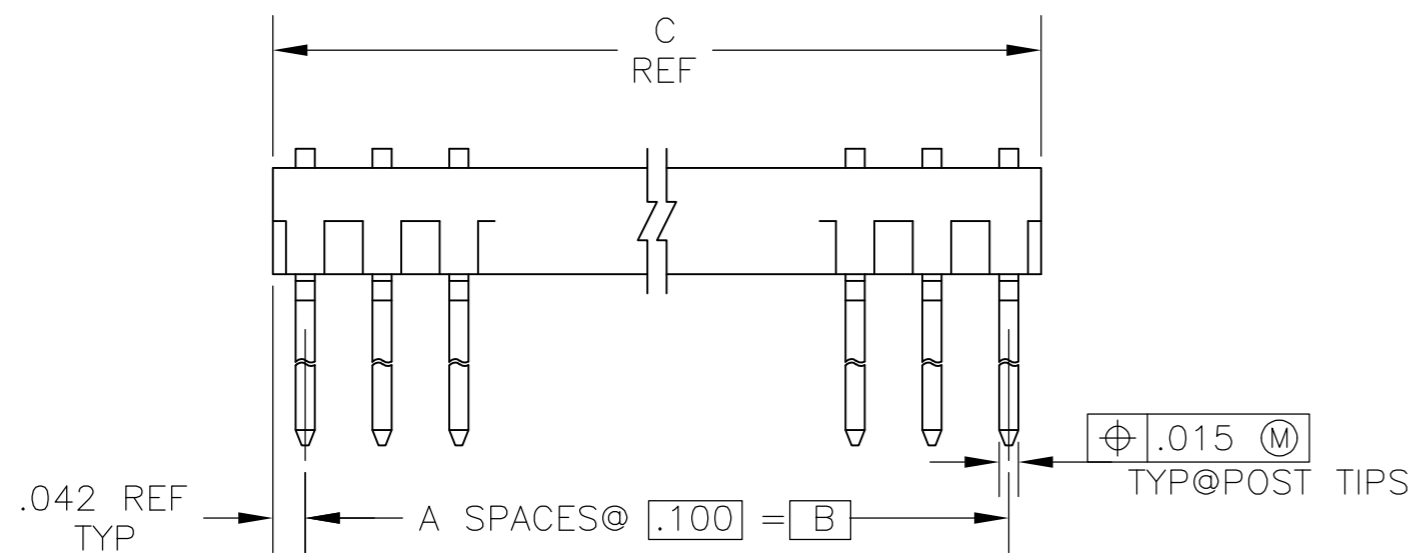


THIS DRAWING IS UNPUBLISHED. RELEASED FOR PUBLICATION
 © COPYRIGHT - By - ALL RIGHTS RESERVED.

| LOC | | DIST | | REVISIONS | | | |
|-----|-----|-------------|---|-----------|-----------|------|-----|
| P | LTR | DESCRIPTION | | DATE | DWN | APVD | |
| AD | 39 | K | PLASTIC MATERIAL SUPPLIER CHANGED FOR HOUSING | | 07MAY2021 | SB | KJK |



RECOMMENDED HOLE LAYOUT

NOTES:

- 1 TOLERANCE NON-CUMULATIVE
- 2 POINT OF MEASUREMENT FOR PLATING THICKNESS
- 3 .000015 GOLD ON CONTACT AREA GOLD FLASH ON SOLDER AREA. ALL OVER .000050 NICKEL
- 4 HOUSING: FLAME RETARDANT THERMOPLASTIC
COLOR: BLACK
POST : PHOS. BRONZE

| | | | | |
|-------|-------|----|-----------|-----------|
| 3.984 | 3.900 | 39 | 40 | 4-87233-0 |
| 3.884 | 3.800 | 38 | 39 | 3-87233-9 |
| 3.784 | 3.700 | 37 | 38 | 3-87233-8 |
| 3.684 | 3.600 | 36 | 37 | 3-87233-7 |
| 3.584 | 3.500 | 35 | 36 | 3-87233-6 |
| 3.484 | 3.400 | 34 | 35 | 3-87233-5 |
| 3.384 | 3.300 | 33 | 34 | 3-87233-4 |
| 3.284 | 3.200 | 32 | 33 | 3-87233-3 |
| 3.184 | 3.100 | 31 | 32 | 3-87233-2 |
| 3.084 | 3.000 | 30 | 31 | 3-87233-1 |
| 2.984 | 2.900 | 29 | 30 | 3-87233-0 |
| 2.884 | 2.800 | 28 | 29 | 2-87233-9 |
| 2.784 | 2.700 | 27 | 28 | 2-87233-8 |
| 2.684 | 2.600 | 26 | 27 | 2-87233-7 |
| 2.584 | 2.500 | 25 | 26 | 2-87233-6 |
| 2.484 | 2.400 | 24 | 25 | 2-87233-5 |
| 2.384 | 2.300 | 23 | 24 | 2-87233-4 |
| 2.284 | 2.200 | 22 | 23 | 2-87233-3 |
| 2.184 | 2.100 | 21 | 22 | 2-87233-2 |
| 2.084 | 2.000 | 20 | 21 | 2-87233-1 |
| 1.984 | 1.900 | 19 | 20 | 2-87233-0 |
| 1.884 | 1.800 | 18 | 19 | 1-87233-9 |
| 1.784 | 1.700 | 17 | 18 | 1-87233-8 |
| 1.684 | 1.600 | 16 | 17 | 1-87233-7 |
| 1.584 | 1.500 | 15 | 16 | 1-87233-6 |
| 1.484 | 1.400 | 14 | 15 | 1-87233-5 |
| 1.384 | 1.300 | 13 | 14 | 1-87233-4 |
| 1.284 | 1.200 | 12 | 13 | 1-87233-3 |
| 1.184 | 1.100 | 11 | 12 | 1-87233-2 |
| 1.084 | 1.000 | 10 | 11 | 1-87233-1 |
| .984 | .900 | 9 | 10 | 1-87233-0 |
| .884 | .800 | 8 | 9 | 87233-9 |
| .784 | .700 | 7 | 8 | 87233-8 |
| .684 | .600 | 6 | 7 | 87233-7 |
| .584 | .500 | 5 | 6 | 87233-6 |
| .484 | .400 | 4 | 5 | 87233-5 |
| .384 | .300 | 3 | 4 | 87233-4 |
| .284 | .200 | 2 | 3 | 87233-3 |
| .184 | .100 | 1 | 2 | 87233-2 |
| .084 | - | - | 1 | 87233-1 |
| C | B | A | NO OF POS | PART NO |

THIS DRAWING IS A CONTROLLED DOCUMENT.

| | | | |
|--------------------|--|------------------------------|---|
| DIMENSIONS: INCHES | TOLERANCES UNLESS OTHERWISE SPECIFIED: | DWN RAGHAVENDRA 24FEB09 | |
| | 0 PLC ± - | CHK GESFORD JEFFREY 24FEB09 | |
| | 1 PLC ± - | APVD GESFORD JEFFREY 24FEB09 | |
| | 2 PLC ± - | NAME | |
| MATERIAL | FINISH | PRODUCT SPEC | TE Connectivity |
| | | APPLICATION SPEC | HEADER ASSY, MOD II, .100C/L, SINGLE ROW, RIGHT ANGLE, .025 SQUARE POST |
| | | WEIGHT | SIZE CAGE CODE DRAWING NO RESTRICTED TO |
| | | CUSTOMER DRAWING | A2 00779 C=87233 |
| | | SCALE 4:1 | SHEET 1 of 1 |
| | | | REV K |