

Mallory Sonalert Products, Inc.

Part #:

SC616WY

Sales Outline Drawing

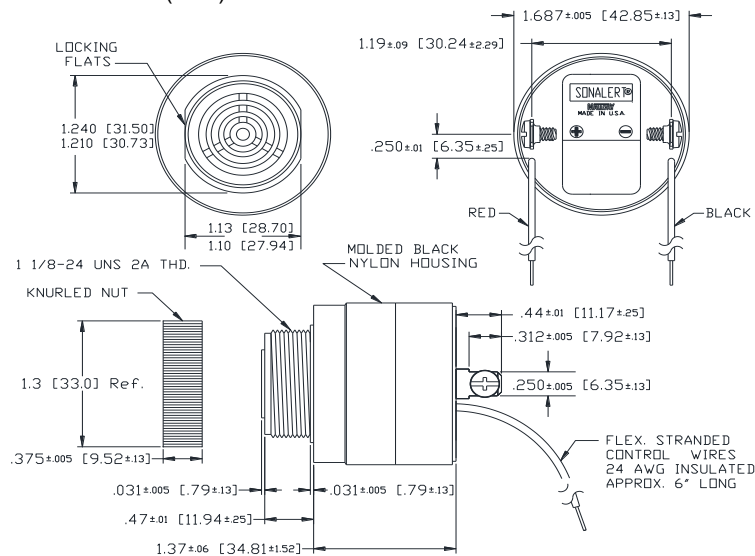
Revision:

F

Specifications:

| | |
|-----------------------|--|
| Sound Level Category | Medium |
| Mode of Operation | 3 Functions: Slow Pulse @ 0.5 - 2.5 PPS - High or Low Frequency, Warble |
| Voltage Rating | 6 to 16 VDC |
| Frequency | Low - 1750 ± 500 Hz, High - 2900 ± 500 Hz |
| Loudness @ 2 FT | 62 to 81 dB(A) Typ. |
| Loudness @ Min Vdc | 60 dB(A) @ 2 Feet and 6 Vdc |
| Loudness @ Max Vdc | 69 dB(A) @ 2 Feet and 16 Vdc |
| Current Draw | 6-27mA |
| Duty Cycle (%) | 50 |
| Housing Material | 6/6 Nylon, Color: Black |
| Storage Temperature | -40° to +85° C |
| Operating Temperature | -30° to +65° C |
| Panel Mounting | Recommended hole size is 1.25"(31.75mm). Thread front will fit standard 30mm(1.181") hole. |
| Knurled Nut | Used to attach part to panel. The max recommended torque is 10 in.-lbs. |
| Weight (Typical) | 2.1 oz (60g) |
| NEMA 3R,4X, & 12 | Approved with use of ACC03. |
| Options | Please contact factory. |

Dimensions: Inches (mm)



The red and black leads control the several functions. A logic 'Low' is a voltage less than 1/3 of supply voltage. A logic 'High' is a voltage greater than 1/2 supply voltage. A red or black input lead left unconnected is considered an open state.

Truth Table

| Control Wire | | Function Mode |
|--------------|-------|---------------|
| Red | Black | |
| Low | Low | Off |
| High | Low | High Pulse |
| Low | High | Low Pulse |
| High | High | Warble |

NOTE A: TERMINALS-.032 BRASS TIN PLATED, TAPPED FOR #6-32 SCREW. TWO #6-32 NICKEL PLATED BRASS SCREWS INCLUDED. WILL ACCEPT 1/4" QUICK CONNECT.

NOTE B: MOUNTING- REMOVE BLACK PLASTIC NUT AND INSERT THREADED FRONT THROUGH 1.25" HOLE PUNCHED IN PANEL, IF ORIENTATION IS NEEDED, NOTE LOCKING FLATS ON DRAWING. SCREW NUT BACK ON. DO NOT OVERTIGHTEN.