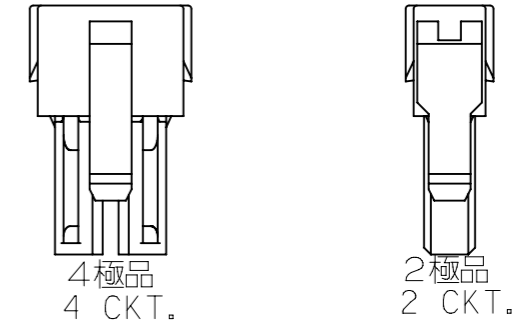
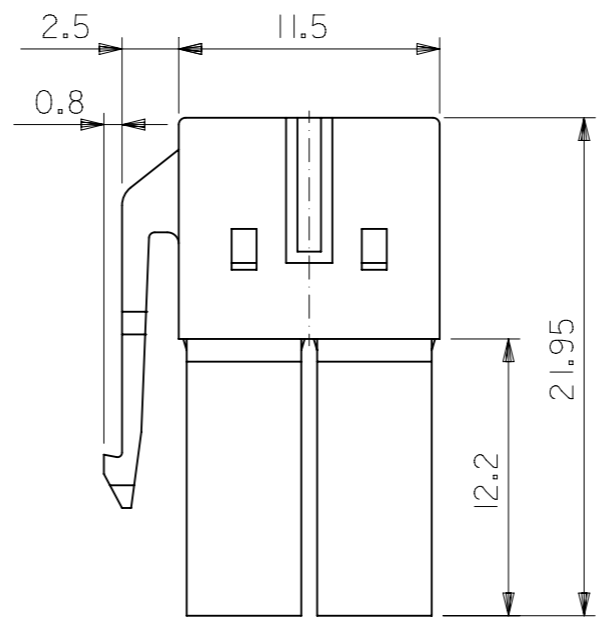
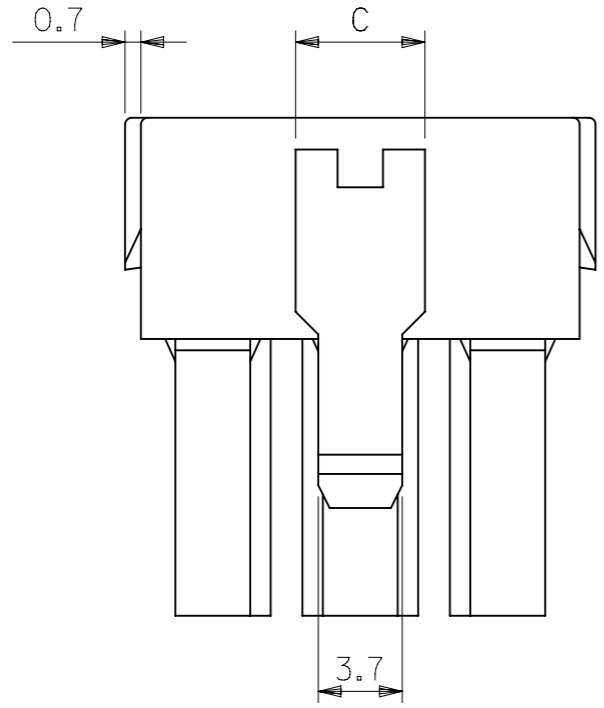


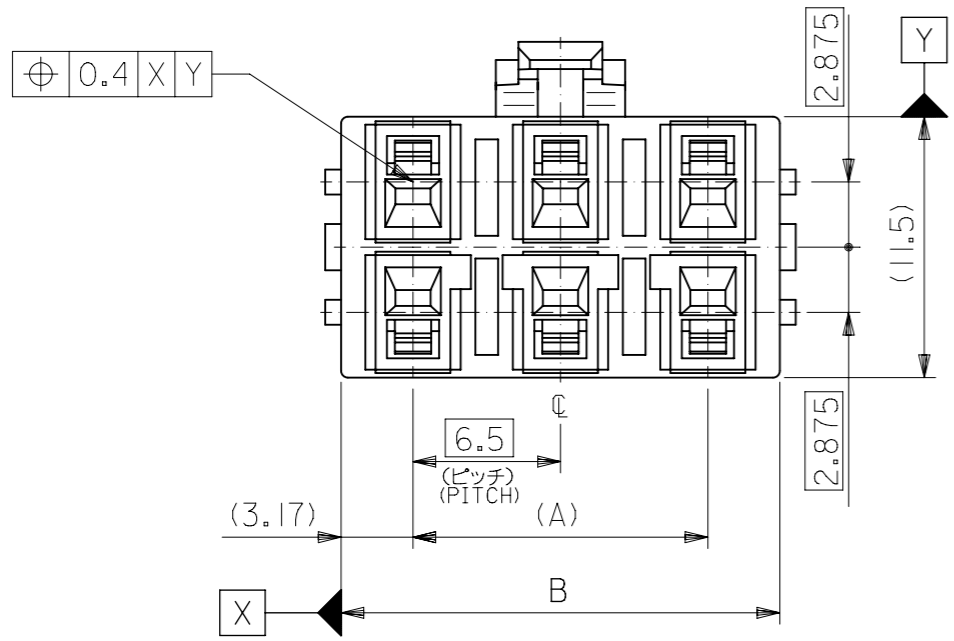
ターミナル及びリテーナー装着状態図
TERMINAL & RETAINER ASSEMBLY DRAWING



ロック形状図
LOCK CONFIGURATION

注記
NOTES

- 適合ターミナル : 50597, 50598
APPLICABLE TERMINAL : 50597, 50598
- 適合リテーナー : 51143
APPLICABLE RETAINER : 51143
- 嵌合相手 : 53721, 53728 シリーズ
MATE WITH : 53721, 53728 SERIES



PENDING APPROVAL

MATERIAL
PBTP, UL94V-0
(色 : 自然色)
(COLOR : NATURAL)

5.7	6.34	—	51142-0200	2
C	B	A	ENG. NO.	極数 CKT.

THIS DRAWING CONTAINS INFORMATION THAT IS PROPRIETARY TO MOLEX ELECTRONIC TECHNOLOGIES, LLC AND SHOULD NOT BE USED WITHOUT WRITTEN PERMISSION		CURRENT REV DESC: OBSOLETE PART NO		molex	
DIMENSION UNITS		SCALE			
mm	NTS	EC NO: 610661		6.5 WIRE TO BOARD CONN. RECEPTACLE HOUSING	
GENERAL TOLERANCES (UNLESS SPECIFIED)		DRWN: AKUMAR19 2018/12/06		PRODUCT CUSTOMER DRAWING	
4 PLACES	± 0.2	CHK'D:		DOCUMENT NUMBER	
3 PLACES	± 0.25	APPR:		SD-51142-002	
2 PLACES	± 0.3	INITIAL REVISION:		DOC TYPE	
1 PLACE	±	DRWN: NITO 2012/10/24		PSD	
0 PLACES	±	APPR: YOITO 2012/10/24		DOC PART	
ANGULAR TOL ± 3.0°		SERIES		001	
DRAFT WHERE APPLICABLE MUST REMAIN WITHIN DIMENSIONS		THIRD ANGLE PROJECTION		REVISION	
DRAWING		MATERIAL NUMBER		B	
A3-SIZE		CUSTOMER		SHEET NUMBER	
51142		GENERAL MARKET		1 OF 1	
SEE TABLE					