

201911-1 ✓ ACTIVE

AMP | AMP M Series

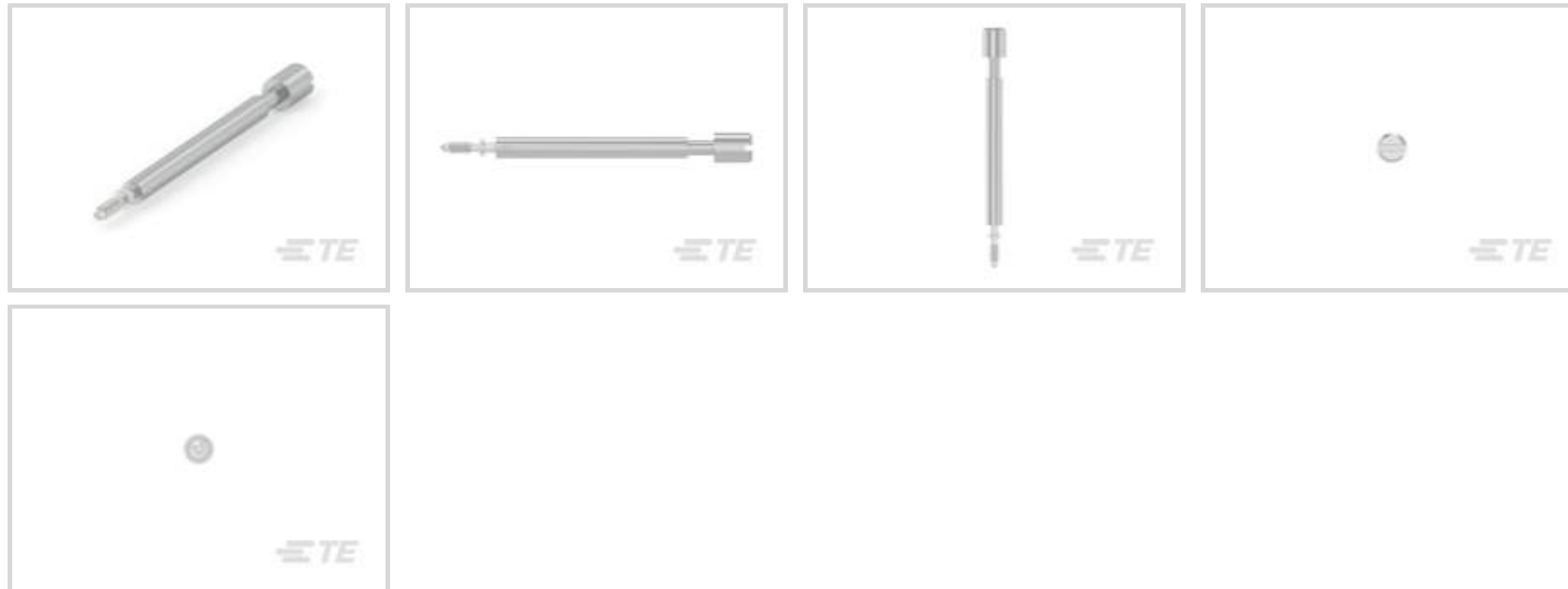
TE Internal #: 201911-1

Rectangular Connector Hardware, Jackscrew Kit, Turnable, Male Jackscrew, 75 / 28 / 104 Position, -55 – 150 °C [-67 – 302 °F], AMP M Series

[View on TE.com >](#)



Connectors > Rectangular Connectors > Rectangular Connector Accessories > Rectangular Connector Hardware



Connector Hardware Type: **Jackscrew Kit**

Jackscrew Type: **Turnable**

Jackscrew Style: **Male**

Number of Positions: **12, 28, 42, 50, 75, 104**

Operating Temperature Range: **-55 – 150 °C [-67 – 302 °F]**

Features

Configuration Features

Number of Positions	12, 28, 42, 50, 75, 104
---------------------	-------------------------

Body Features

Thread Lead Type	Double
Primary Product Material	Stainless Steel, Zinc Alloy

Mechanical Attachment

Primary Product Plating Finish	Clear Chromate
Strain Relief	Without
Mounting Hardware	Jackscrew Tip Female and Spirol Pin
Thread Size	6-32
Connector Hardware Type	Jackscrew Kit
Jackscrew Type	Turnable
Jackscrew Style	Male

Dimensions

Product Width	7.92 mm[.312 in]
---------------	------------------



Product Length	68.66 mm[2.703 in]
----------------	--------------------

Product Height	7.92 mm[.312 in]
----------------	------------------

Usage Conditions

Operating Temperature Range	-55 – 150 °C[-67 – 302 °F]
-----------------------------	----------------------------

Packaging Features

Packaging Quantity	100
--------------------	-----

Packaging Method	Bag
------------------	-----

Other

Connector Accessory Comment	Two required., Use turnable jackscrews on mating housings when mating to grounding block.
-----------------------------	-------------------------------------------------------------------------------------------

Product Compliance

[For compliance documentation, visit the product page on TE.com>](#)

EU RoHS Directive 2011/65/EU	Not Compliant
------------------------------	---------------

EU ELV Directive 2000/53/EC	Not Compliant
-----------------------------	---------------

China RoHS 2 Directive MIIT Order No 32, 2016	Restricted Materials Above Threshold
-----------------------------------------------	--------------------------------------

EU REACH Regulation (EC) No. 1907/2006	Current ECHA Candidate List: JUNE 2023 (235) Candidate List Declared Against: JAN 2023 (233) Does not contain REACH SVHC
----------------------------------------	--------------------------------------------------------------------------------------------------------------------------------

Halogen Content	Low Halogen - Br, Cl, F, I < 900 ppm per homogenous material. Also BFR/CFR/PVC Free
-----------------	-------------------------------------------------------------------------------------

Solder Process Capability	Not applicable for solder process capability
---------------------------	----------------------------------------------

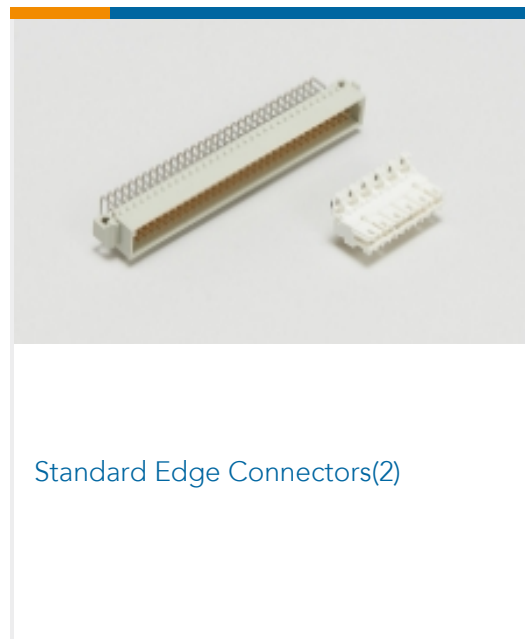
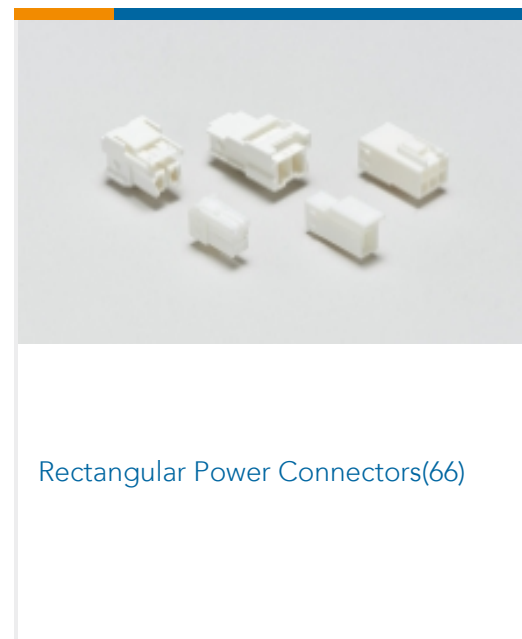
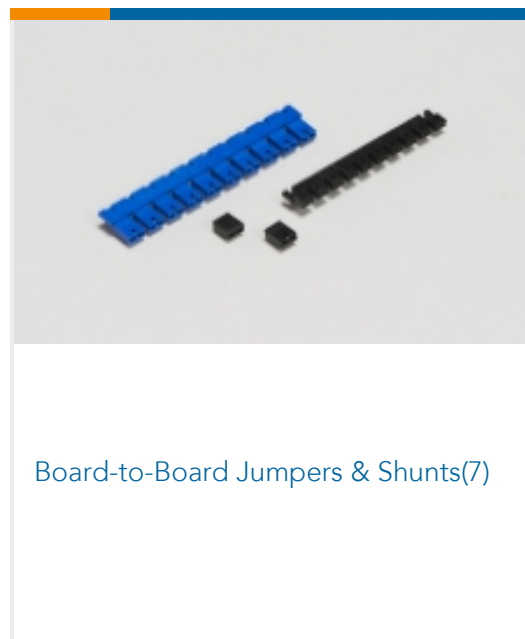
Product Compliance Disclaimer

This information is provided based on reasonable inquiry of our suppliers and represents our current actual knowledge based on the information they provided. This information is subject to change. The part numbers that TE has identified as EU RoHS compliant have a maximum concentration of 0.1% by weight in homogenous materials for lead, hexavalent chromium, mercury, PBB, PBDE, DBP, BBP, DEHP, DIBP, and 0.01% for cadmium, or qualify for an exemption to these limits as defined in the Annexes of Directive 2011/65/EU (RoHS2). Finished electrical and electronic equipment products will be CE marked as required by Directive 2011/65/EU. Components may not be CE marked. Additionally, the part numbers that TE has identified as EU ELV compliant have a maximum concentration of 0.1% by weight in homogenous materials for lead, hexavalent chromium, and mercury, and 0.01% for cadmium, or qualify for an exemption to these limits as defined in the Annexes of Directive 2000/53/EC (ELV). Regarding the REACH Regulation, the information TE provides on SVHC in articles for this part number is based on the latest European Chemicals Agency (ECHA) 'Guidance on requirements for substances in articles' posted at this URL: <https://echa.europa.eu/guidance-documents/guidance-on-reach>

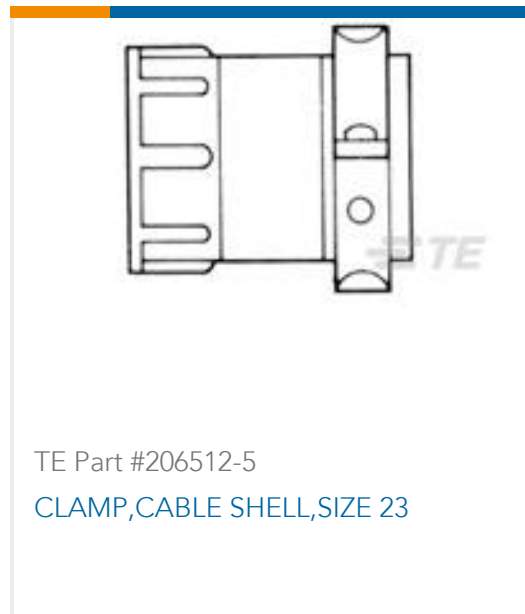
Compatible Parts



Also in the Series | AMP M Series



Customers Also Bought





TE Part #5748676-3
DIE CAST CBL CLMP KIT,SZ 3



TE Part #1-201046-2
SERIES "M" MIN RECT GUIDE PIN



TE Part #7-1393246-7
W23-X1A1G-7.50=W23/W31



TE Part #0641-3-1231L
CONT PIN



TE Part #53889-1
FLAG RELAY, SPECIAL-RR 14-10

Documents

Product Drawings

JACKSCREW KIT

English

CAD Files

Customer View Model

[ENG_CVM_201911-1_J1.3d_igs.zip](#)

English

Customer View Model

[ENG_CVM_201911-1_J1.3d_stp.zip](#)

English

Customer View Model

[ENG_CVM_201911-1_J1.2d_dxf.zip](#)

English

3D PDF

English

Customer View Model

[ENG_CVM_CVM_201911-1_D.3d_igs.zip](#)

English

Customer View Model

[ENG_CVM_CVM_201911-1_D.3d_stp.zip](#)

English

Customer View Model

[ENG_CVM_CVM_201911-1_D.2d_dxf.zip](#)

English

3D PDF

3D



By downloading the CAD file I accept and agree to the [Terms and Conditions](#) of use.

Datasheets & Catalog Pages

M_SERIES_PIN_AND_SOCKET_CONNECTORS

English

Product Environmental Compliance

Product Compliance

English

Product Compliance

English

Instruction Sheets

Instruction Sheet (U.S.)

English

AMP TURNABLE JACK SCREW SPECIFICATIONS AND ASSEMBLY INSTRUCTIONS

English