

TPS543C20 SWIFT™ Step-Down Converter Evaluation Module User's Guide



ABSTRACT

This user's guide describes the characteristics, operation, and use of the TPS543C20EVM-054 evaluation module (EVM). The user's guide includes test information, descriptions, and results. A complete schematic diagram, printed-circuit board layouts, and bill of materials are also included in this document. Throughout this user's guide, the abbreviations EVM, TPS543C20EVM-054, and the term evaluation module are synonymous with the TPS543C20EVM-054, unless otherwise noted.

Table of Contents

1 Introduction	3
1.1 Before You Begin.....	3
2 Description	4
2.1 Typical End-User Applications.....	4
2.2 EVM Features.....	4
3 EVM Electrical Performance Specifications	4
4 Schematic	5
5 Test Equipment	6
6 BSR054EVM	7
7 List of Test Points, Jumpers, and Switch	8
8 Test Procedure	8
8.1 Line and Load Regulation Measurement Procedure.....	8
8.2 Efficiency.....	8
8.3 Equipment Shutdown.....	10
9 Performance Data and Typical Characteristic Curves	10
9.1 Efficiency.....	10
9.2 Power Loss.....	10
9.3 Load Regulation.....	11
9.4 Transient Response.....	11
9.5 Output Ripple.....	12
9.6 Control On.....	13
9.7 Control On and Off.....	14
9.8 Thermal Image.....	15
10 EVM Assembly Drawing and PCB Layout	16
11 List of Materials	21
12 Revision History	23

List of Figures

Figure 4-1. BSR054EVM Schematic.....	5
Figure 6-1. BSR054EVM Overview.....	7
Figure 6-2. Tip and Barrel Measurement.....	7
Figure 9-1. Efficiency of 0.9-V Output vs Load.....	10
Figure 9-2. Power Loss of 0.9-V Output vs Load.....	10
Figure 9-3. Load Regulation of 0.9-V Output.....	11
Figure 9-4. Transient Response of 0.9-V Output at 12 V _{IN} , Transient is 15 A to 25 A to 15 A, the Step is 10 A at 40 A/μs.....	11
Figure 9-5. Output Ripple and SW Node of 0.9-V Output at 12-V _{IN} , 40-A Output.....	12
Figure 9-6. Output Ripple and SW Node of 0.9-V Output at 12-V _{IN} , 0-A Output.....	12
Figure 9-7. Start-Up from Control, 0.9-V Output at 12-V _{IN} , 10-mA Output.....	13
Figure 9-8. 0.5-V Pre-bias Start-Up from Control, 0.9-V Output at 12-V _{IN} , 20-A Output.....	13

Figure 9-9. Output Voltage Start-Up and Shutdown, 0.9-V Output at 12-V _{IN} , 0.5-A Output.....	14
Figure 9-10. Thermal Image at 0.9-V Output at 12 V _{IN} , 40-A Output, at 25°C Ambient.....	15
Figure 10-1. BSR054EVM Top Layer Assembly Drawing (Top View).....	16
Figure 10-2. BSR054EVM Top Solder Mask (Top View).....	16
Figure 10-3. BSR054EVM Top Layer (Top View).....	17
Figure 10-4. BSR054EVM Inner Layer 1 (Top View).....	17
Figure 10-5. BSR054EVM Inner Layer 2 (Top View).....	18
Figure 10-6. BSR054EVM Inner Layer 3 (Top View).....	18
Figure 10-7. BSR054EVM Inner Layer 4 (Top View).....	19
Figure 10-8. BSR054EVM Bottom Layer (Top View).....	19
Figure 10-9. BSR054EVM Bottom Solder Mask (Top View).....	20
Figure 10-10. BSR054EVM Bottom Overlay Layer (Top View).....	20

List of Tables

Table 3-1. BSR054EVM Electrical Performance Specifications.....	4
Table 7-1. Test Point Functions.....	8
Table 8-1. List of Test Points for Line and Load Measurements.....	8
Table 8-2. List of Test Points for Efficiency Measurements.....	9
Table 11-1. BSR054EVM List of Materials.....	21

Trademarks

All trademarks are the property of their respective owners.

1 Introduction

The BSR054EVM evaluation module uses the TPS543C20EVM-054 device. The TPS543C20EVM-054 is a highly integrated synchronous buck converter that is designed for up to 40-A current output.

1.1 Before You Begin

The following warnings and cautions are noted for the safety of anyone using or working close to the TPS543C20EVM-054. Observe all safety precautions.



Warning

The TPS543C20EVM-054 circuit module may become hot during operation due to dissipation of heat. Avoid contact with the board. Follow all applicable safety procedures applicable to your laboratory.



Caution

Do not leave the EVM powered when unattended.

WARNING

The circuit module has signal traces, components, and component leads on the bottom of the board. This can result in exposed voltages, hot surfaces, or sharp edges. Do not reach under the board during operation.

CAUTION

The circuit module can be damaged by over temperature. To avoid damage, monitor the temperature during evaluation and provide cooling, as needed, for the system environment.

CAUTION

Some power supplies can be damaged by application of external voltages. If using more than one power supply, check the equipment requirements and use blocking diodes or other isolation techniques, as needed, to prevent damage to the equipment.

CAUTION

The communication interface is not isolated on the EVM. Be sure no ground potential exists between the computer and the EVM. Also be aware that the computer is referenced to the Battery- potential of the EVM.

2 Description

The BSR054EVM is designed as a single output DC/DC converter that demonstrates the TPS543C20EVM-054 in a typical low-voltage application while providing a number of test points to evaluate the performance. It uses a nominal 12-V input bus to produce a regulated 0.9-V output at up to 40-A load current.

2.1 Typical End-User Applications

- Enterprise storage, SSD, NAS
- Wireless and wired communication infrastructure
- Industrial PCs, automation, ATE, PLC, video surveillance
- Enterprise server, switches, routers
- ASIC, SoC, FPGA, DSP core, and I/O rails

2.2 EVM Features

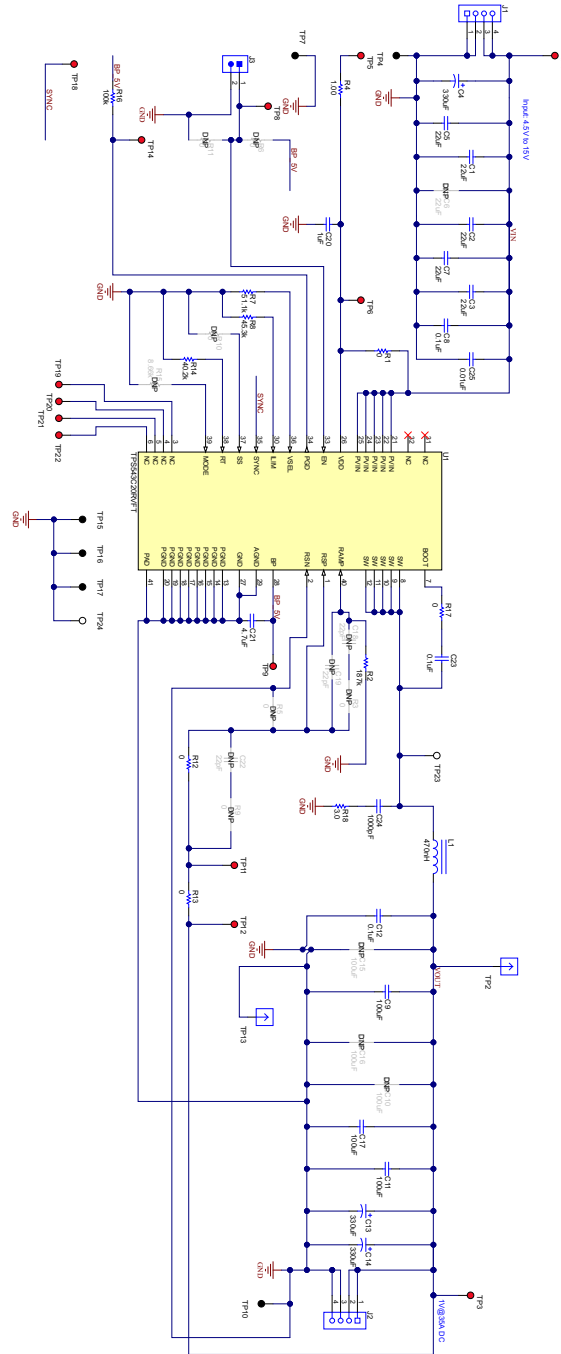
- Regulated 0.9-V output up to 40-A, steady-state output current
- Convenient test points for probing critical waveforms

3 EVM Electrical Performance Specifications

Table 3-1. BSR054EVM Electrical Performance Specifications

Parameter	Test Conditions	Min	Typ	Max	Units
Input Characteristics					
Voltage range	V_{IN} tied to VDD	5	12	16	V
Maximum input current	$V_{IN} = 12\text{ V}$, $I_O = 40\text{ A}$, $V_{OUT} = 0.9\text{ V}$, $F_{SW} = 500\text{ kHz}$			3.5	A
No load input current	$V_{IN} = 12\text{ V}$, $I_O = 0\text{ A}$		50		mA
Output Characteristics					
V_{OUT} Output voltage	Output current = 0 A to 40 A		0.9		V
I_{OUT} Output load current	$I_{OUT(min)}$ to $I_{OUT(max)}$	0		40	A
Output voltage regulation	Line regulation: input voltage = 5 V to 16 V		0.5%		
	Load regulation: output current = 0 A to $I_{OUT(max)}$		0.5%		
V_{OUT} Output voltage ripple	$V_{IN} = 12\text{ V}$, $I_{OUT} = 40\text{ A}$		10		mV _{PP}
V_{OUT} Output overcurrent			46		A
Systems Characteristics					
Switching frequency	F_{SW}		500		kHz
V_{OUT} Peak efficiency	$V_{IN} = 12\text{ V}$, $I_O = 17\text{ A}$, $F_{SW} = 500\text{ kHz}$		90%		
Operating temperature	T_{oper}	0		85	°C

4 Schematic



5 Test Equipment

Voltage Source: The input voltage source V_{IN} must be a 0-V to 18-V variable DC source capable of supplying at least 10 A_{DC}. Also, the output impedance of the external voltage source must be much less than 100 k Ω .

Multimeters: It is recommended to use two separate multimeters [Figure 6-1](#). One meter is used to measure V_{IN} and one to measure V_{OUT} .

Output Load: A variable electronic load is recommended for testing [Figure 6-1](#). It must be capable of 40 A at voltages as low as 0.6 V.

Oscilloscope: An oscilloscope is recommended for measuring output noise and ripple. Output ripple must be measured using a tip-and-barrel method or better as shown in [Figure 6-2](#). The scope must be adjusted to 20-MHz bandwidth, AC coupling at 50 mV/division, and must be set to 1- μ s/division.

Fan: During prolonged operation at high loads, it may be necessary to provide forced air cooling with a small fan aimed at the EVM. Temperature of the devices on the EVM must be maintained below 105°C.

Recommended Wire Gauge: The voltage drop in the load wires must be kept as low as possible in order to keep the working voltage at the load within its operating range. Use the AWG 14 wire (2 wires parallel for V_{OUT} positive and 2 wires parallel for the V_{OUT} negative) of no more than 1.98 feet between the EVM and the load. This recommended wire gauge and length should achieve a voltage drop of no more than 0.2 V at the maximum 40-A load.

6 BSR054EVM

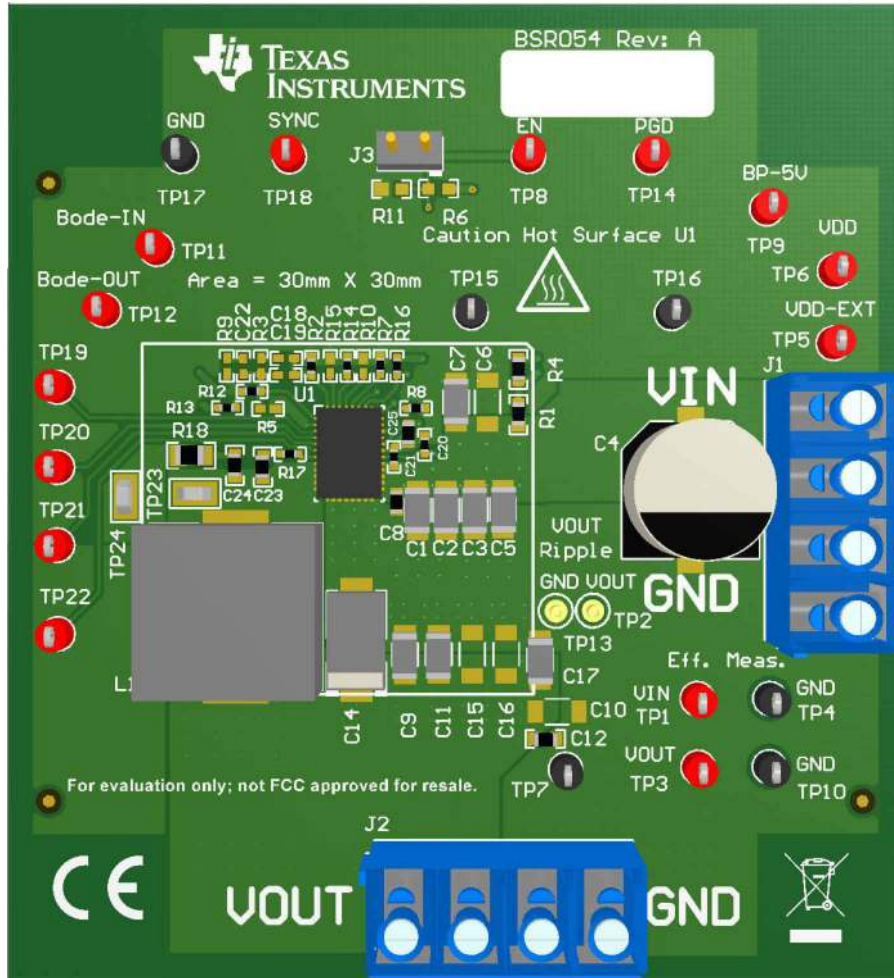


Figure 6-1. BSR054EVM Overview

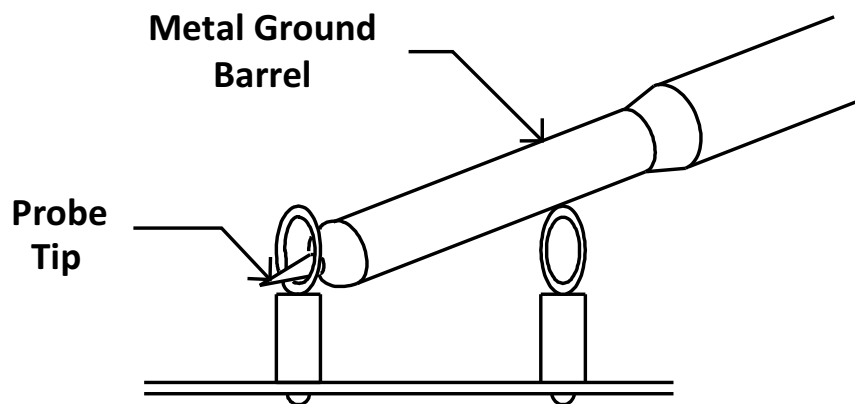


Figure 6-2. Tip and Barrel Measurement

7 List of Test Points, Jumpers, and Switch

Table 7-1. Test Point Functions

Item	Type	Name	Description
TP23	T-H loop	SW	Power supply switch node
TP11	T-H loop	CH-A	Measure loop stability
TP12	T-H loop	CH-B	Measure loop stability
TP3	T-H loop	LocS+	Sense VOUT + locally across C11. Use for efficiency and ripple measurements.
TP10	T-H loop	LocS-	Sense VOUT– locally across C11. Use for efficiency and ripple measurements.
TP1	T-H loop	PVIN	Sense VIN + across C8
TP4	T-H loop	PGND	Sense VIN – across C8
TP6	T-H loop	VDD	Supplies the internal circuitry
TP9	T-H loop	BP	LDO output
TP14	T-H loop	PG	Power good
TP7, TP15, TP16, TP17	T-H loop	PGND	Common GND
TP19, TP20, TP21, TP22	T-H loop		Not used
TP18	T-H loop	SYNC	Synchronize with external switching frequency
JP3	2-pin jumper	EN	Enable or disable TPS543C20EVM-054 IC

8 Test Procedure

8.1 Line and Load Regulation Measurement Procedure

1. Connect VOUT to J2 and VOUT_GND to J2 [Figure 6-1](#).
2. Ensure that the electronic load is set to draw 0 A_{DC}.
3. Ensure the jumper provided on the EVM shorts on J3 before V_{IN} is applied
4. Connect VIN to J1 and VIN_GND to J1 [Figure 6-1](#).
5. Increase V_{IN} from 0 V to 12 V using the digital multimeter to measure input voltage.
6. Remove the jumper on J3 to enable the controller.
7. Use the other digital multimeter or the oscilloscope to measure output voltage V_{OUT} at TP3 and TP10.

Table 8-1. List of Test Points for Line and Load Measurements

Test Point	Node Name	Description
TP3	LocS+	Sense VOUT + locally across C11. Use for efficiency and ripple measurements
TP10	LocS-	Sense VOUT - locally across C11. Use for efficiency and ripple measurements
TP1	PVIN	Sense VIN + across C8
TP4	PGND	Sense VIN - across C8

8. Vary the load from 0 A_{DC} to maximum rated output 40 A_{DC}. V_{OUT} must remain in regulation as defined in [Table 3-1](#).
9. Vary V_{IN} from 5 V to 16 V. V_{OUT} must remain in regulation as defined in [Table 3-1](#).
10. Decrease the load to 0 A.
11. Put the jumper back on JP3 to disable the converter.
12. Decrease V_{IN} to 0 V or turn off the supply.

8.2 Efficiency

To measure the efficiency of the power train on the EVM, it is important to measure the voltages at the correct location. This is necessary because otherwise the measurements will include losses in efficiency that are not related to the power train itself. Losses incurred by the voltage drop in the copper traces and in the input and output connectors are not related to the efficiency of the power train, and they must not be included in efficiency measurements.

Table 8-2. List of Test Points for Efficiency Measurements

Test Point	Node Name	Description
TP3	LocS+	Sense VOUT + locally across C11. Use for efficiency and ripple measurements
TP10	LocS-	Sense VOUT – locally across C11. Use for efficiency and ripple measurements
TP1	PVIN	Sense VIN + across C8
TP4	PGND	Sense VIN – across C8

Input current can be measured at any point in the input wires, and output current can be measured anywhere in the output wires of the output being measured. Using these measurement points result in efficiency measurements that do not include losses due to the connectors and PCB traces.

8.3 Equipment Shutdown

1. Reduce the load current to 0 A.
2. Reduce input voltage to 0 V.
3. Shut down the external fan if in use.
4. Shut down equipment.

9 Performance Data and Typical Characteristic Curves

Figure 9-1 through Figure 9-10 present typical performance curves for the BSR054EVM.

9.1 Efficiency

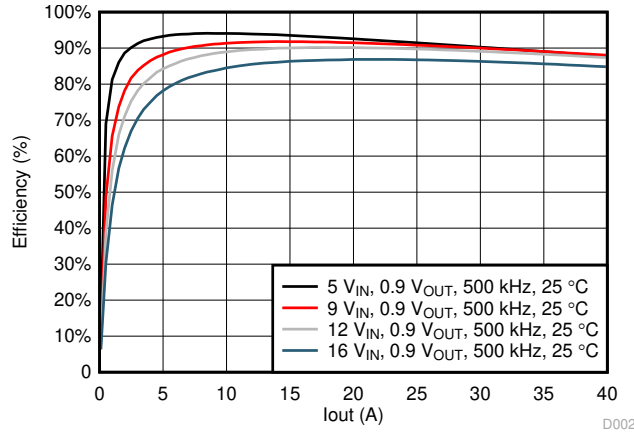


Figure 9-1. Efficiency of 0.9-V Output vs Load

9.2 Power Loss

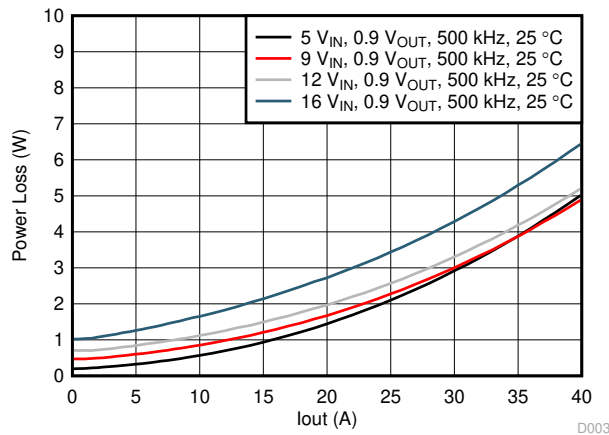


Figure 9-2. Power Loss of 0.9-V Output vs Load

9.3 Load Regulation

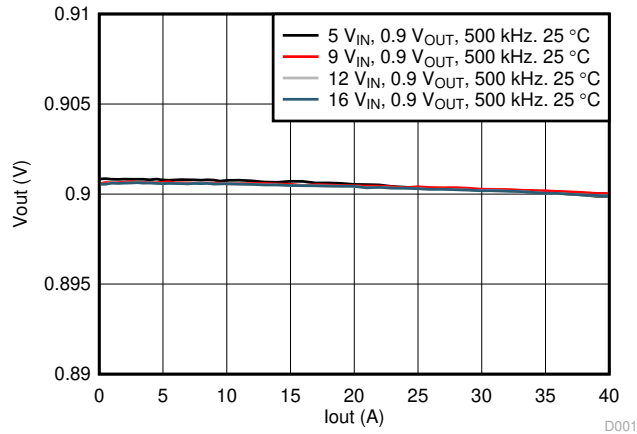


Figure 9-3. Load Regulation of 0.9-V Output

9.4 Transient Response

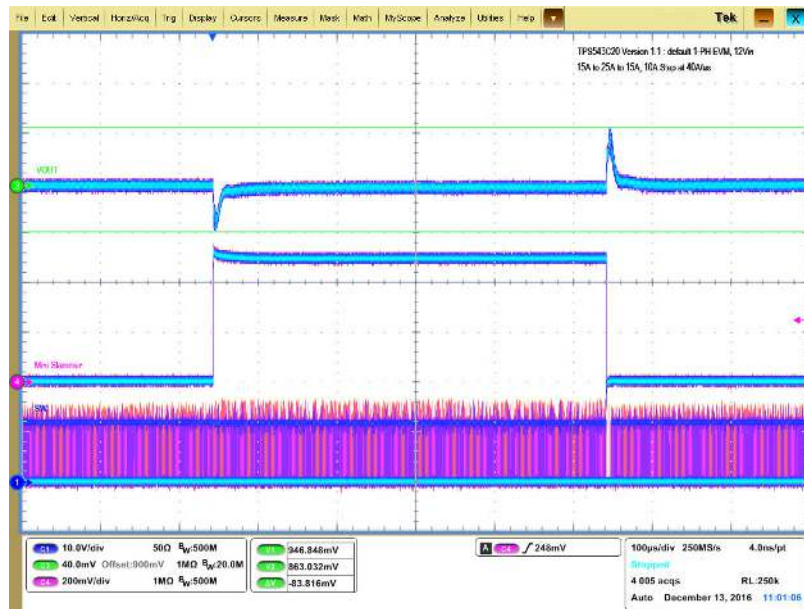


Figure 9-4. Transient Response of 0.9-V Output at 12 V_{IN}, Transient is 15 A to 25 A to 15 A, the Step is 10 A at 40 A/μs

9.5 Output Ripple

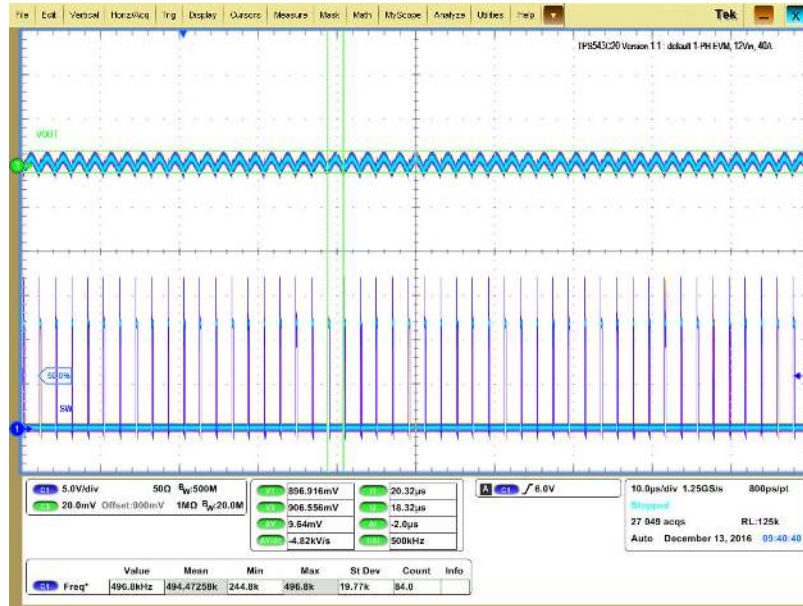


Figure 9-5. Output Ripple and SW Node of 0.9-V Output at 12-V_{IN}, 40-A Output

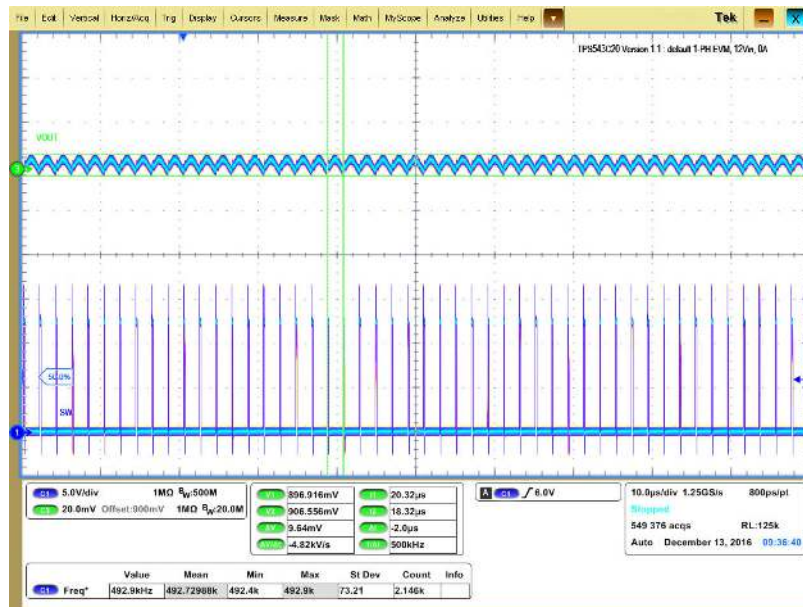


Figure 9-6. Output Ripple and SW Node of 0.9-V Output at 12-V_{IN}, 0-A Output

9.6 Control On

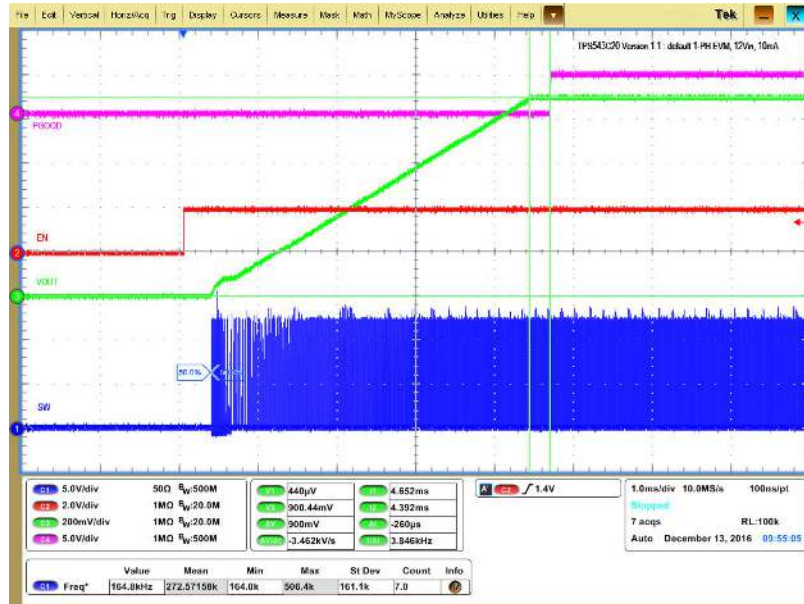


Figure 9-7. Start-Up from Control, 0.9-V Output at 12-V_{IN}, 10-mA Output

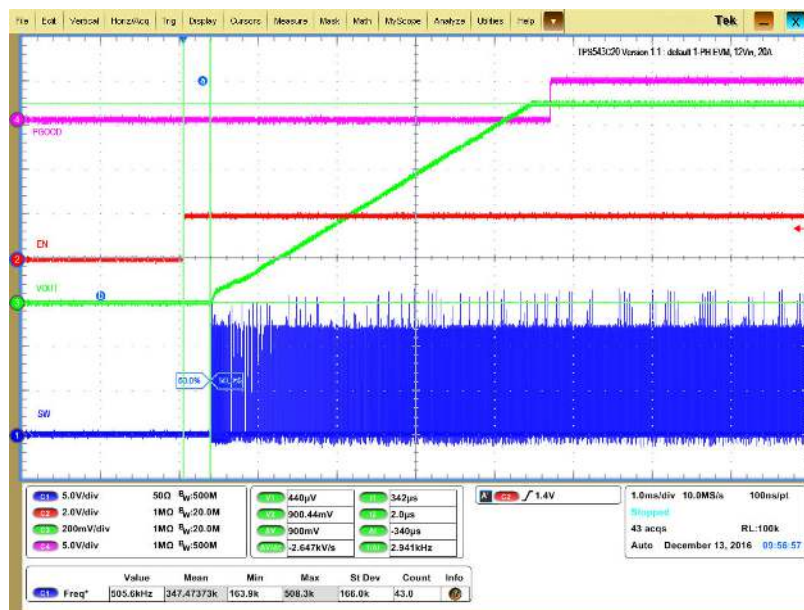


Figure 9-8. 0.5-V Pre-bias Start-Up from Control, 0.9-V Output at 12-V_{IN}, 20-A Output

9.7 Control On and Off

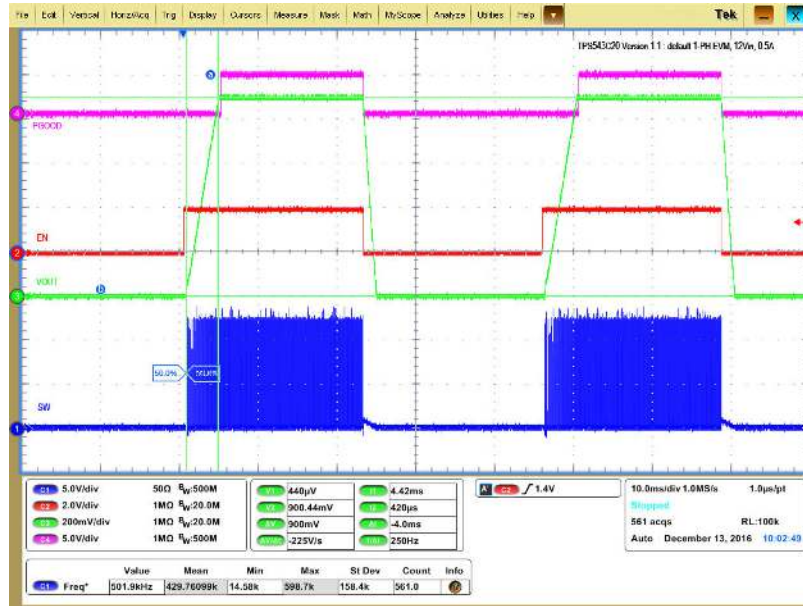


Figure 9-9. Output Voltage Start-Up and Shutdown, 0.9-V Output at 12-V_{IN}, 0.5-A Output

9.8 Thermal Image

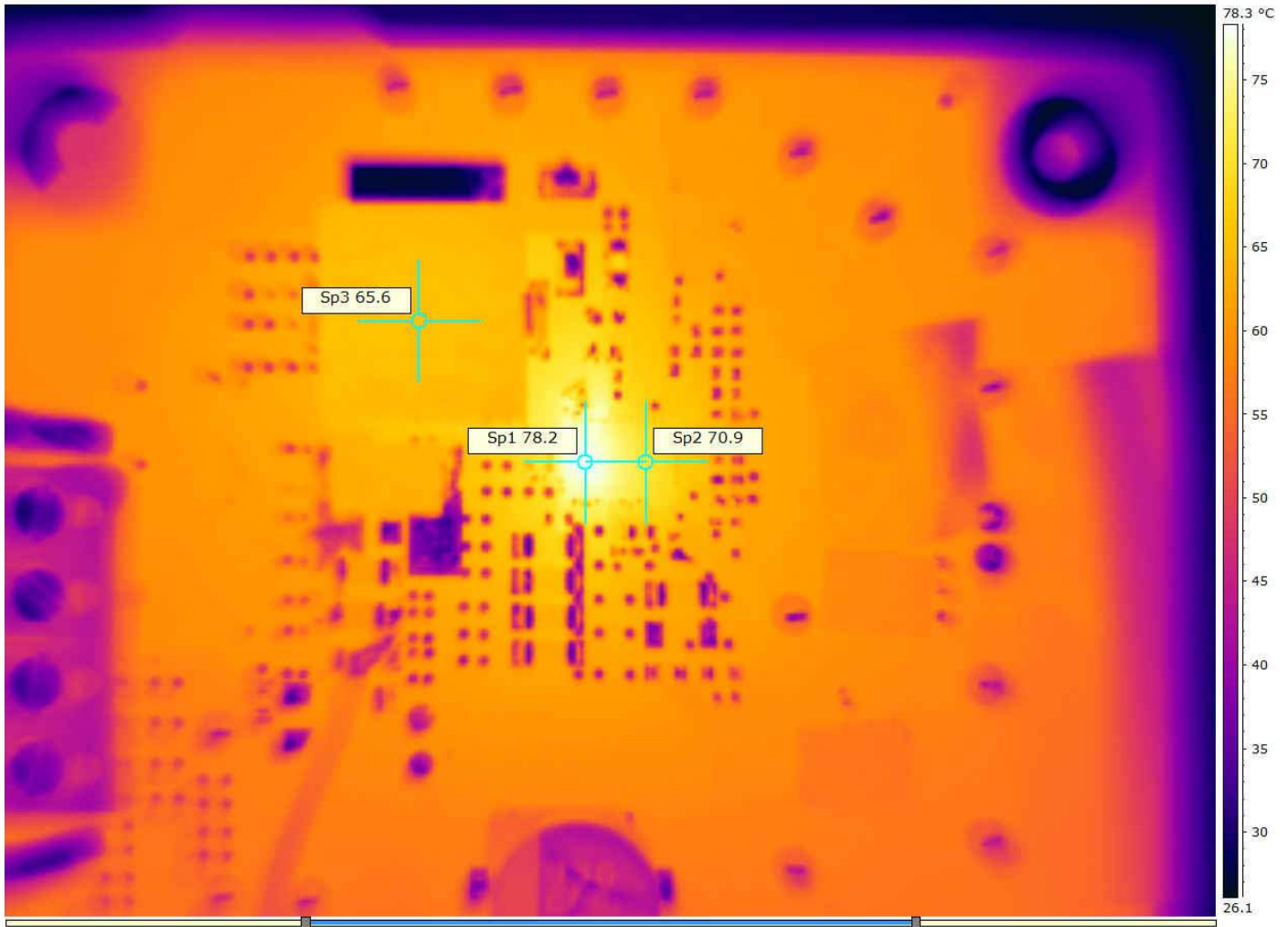


Figure 9-10. Thermal Image at 0.9-V Output at 12 V_{IN}, 40-A Output, at 25°C Ambient

10 EVM Assembly Drawing and PCB Layout

Figure 10-1 through Figure 10-8 show the design of the BSR054EVM printed-circuit board (PCB). The BSR054EVM has a 2-oz. copper finish for all layers.

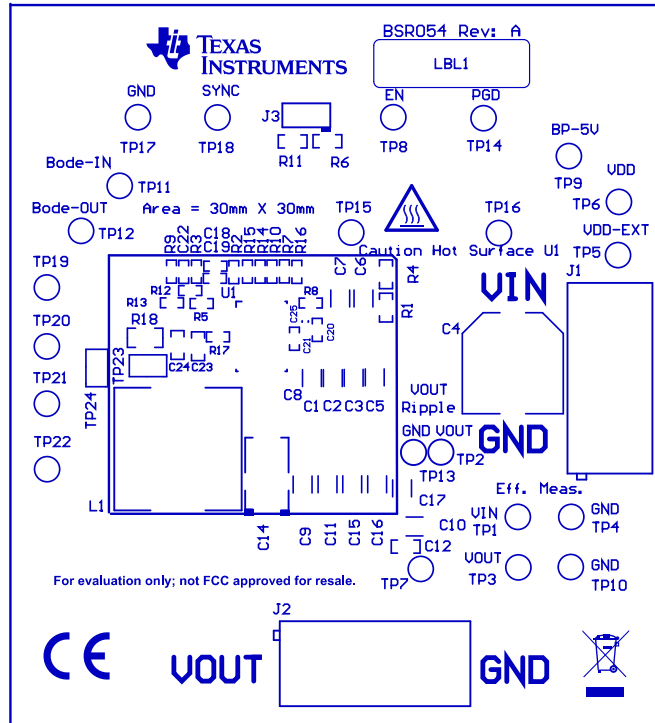


Figure 10-1. BSR054EVM Top Layer Assembly Drawing (Top View)

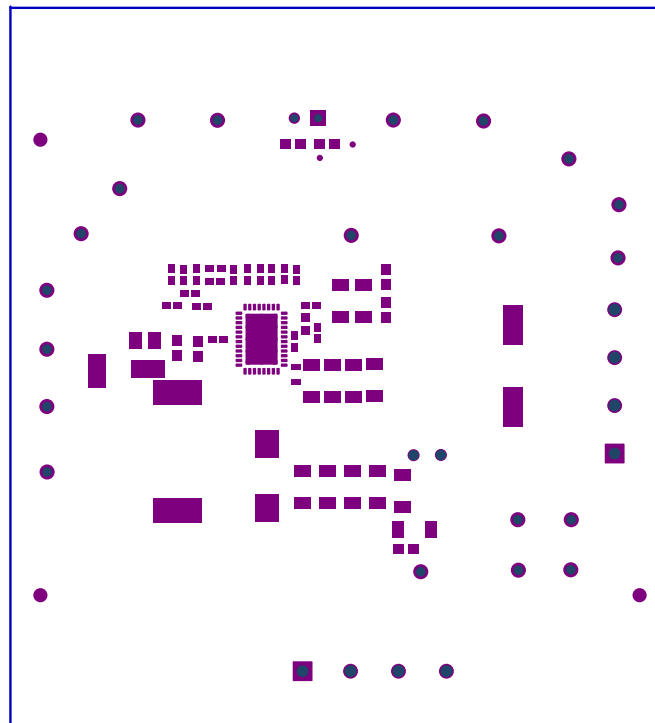


Figure 10-2. BSR054EVM Top Solder Mask (Top View)

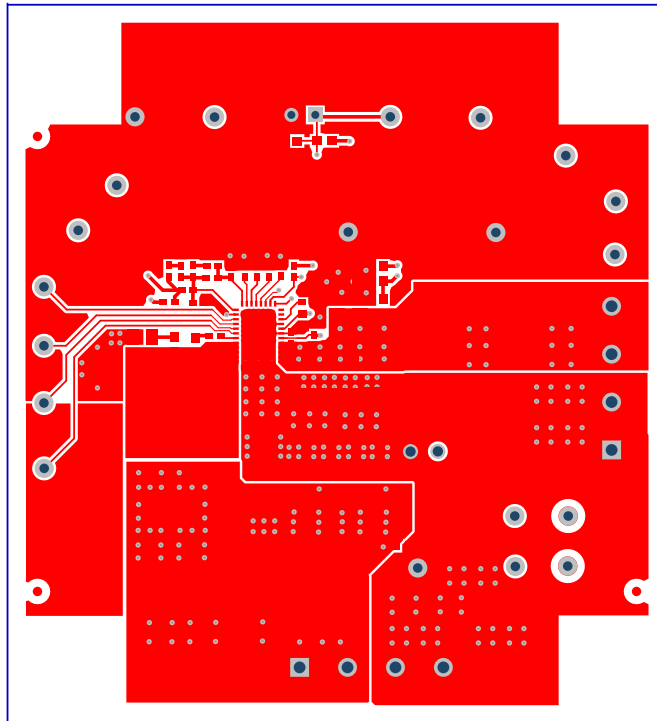


Figure 10-3. BSR054EVM Top Layer (Top View)

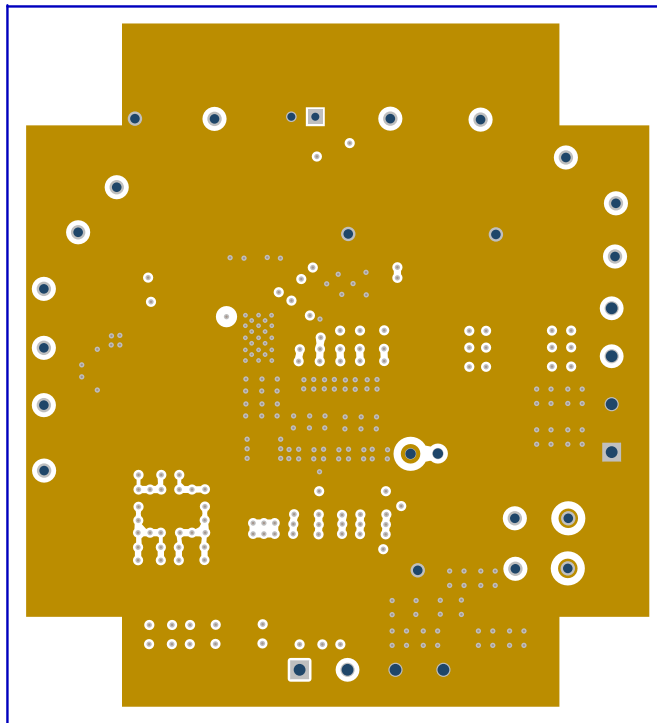


Figure 10-4. BSR054EVM Inner Layer 1 (Top View)

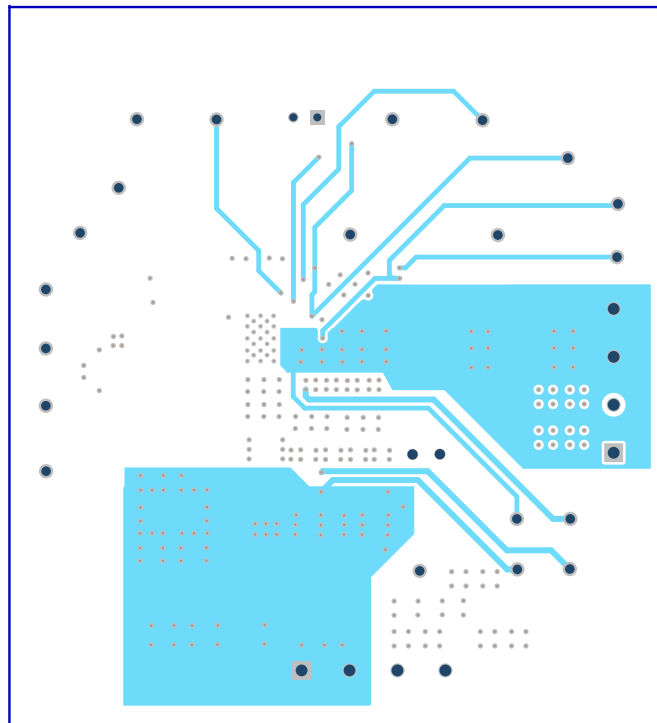


Figure 10-5. BSR054EVM Inner Layer 2 (Top View)

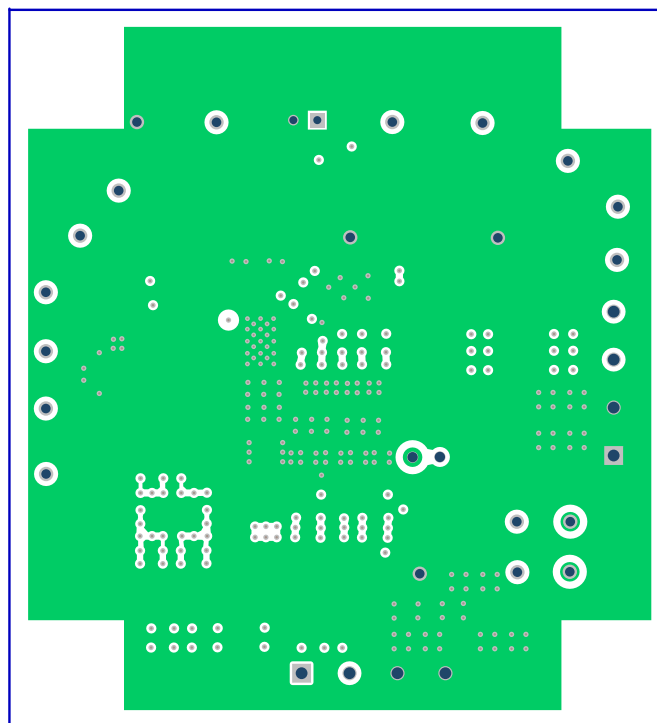


Figure 10-6. BSR054EVM Inner Layer 3 (Top View)

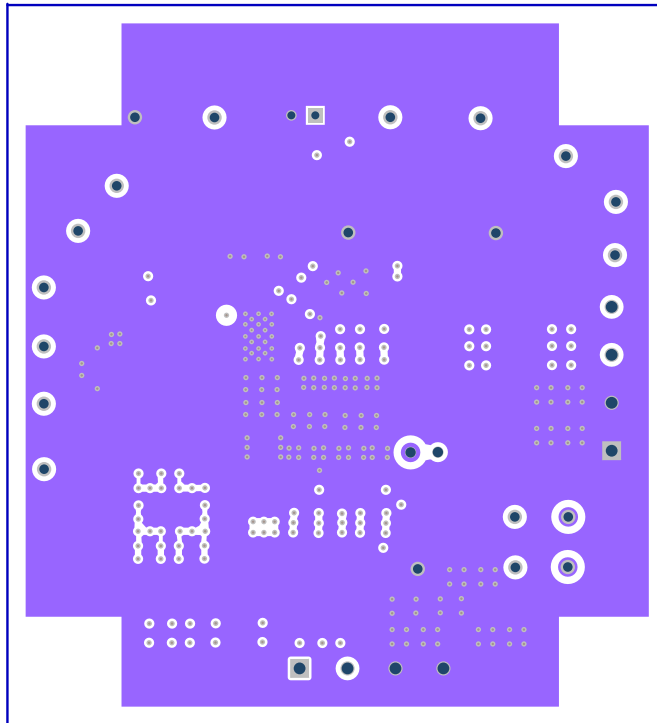


Figure 10-7. BSR054EVM Inner Layer 4 (Top View)

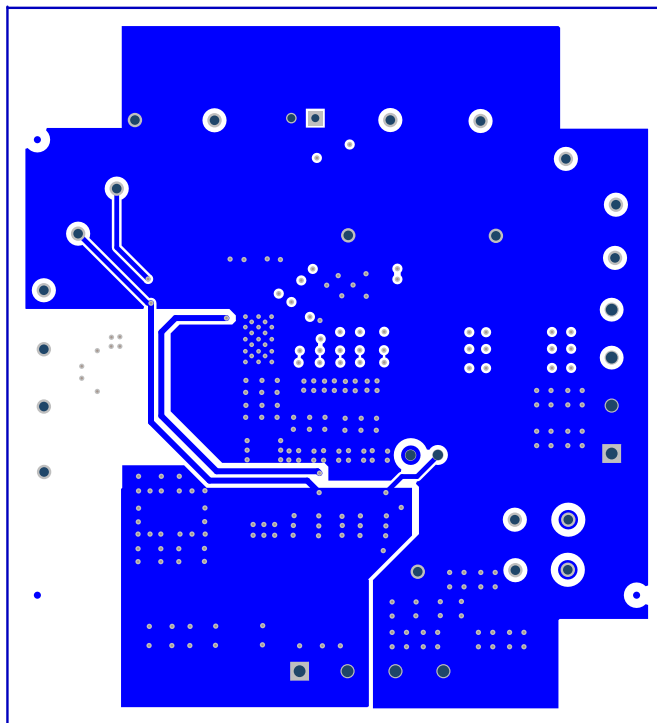


Figure 10-8. BSR054EVM Bottom Layer (Top View)

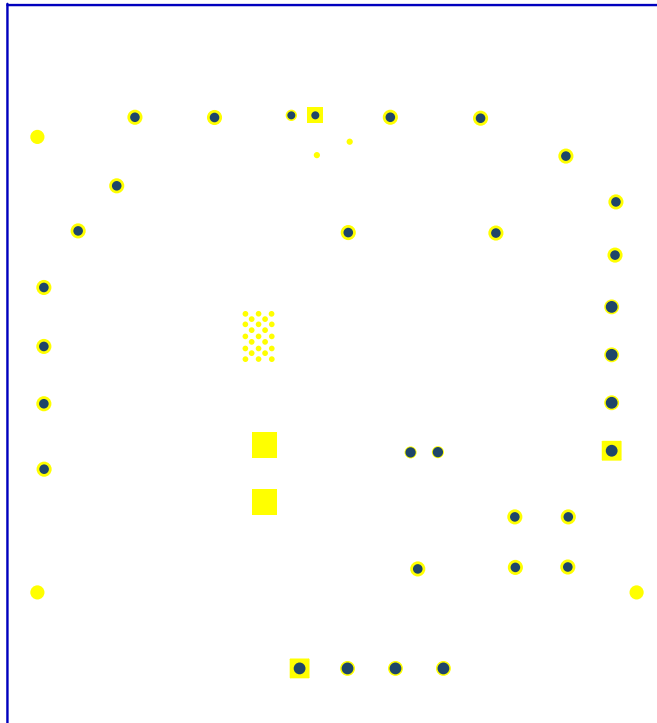


Figure 10-9. BSR054EVM Bottom Solder Mask (Top View)

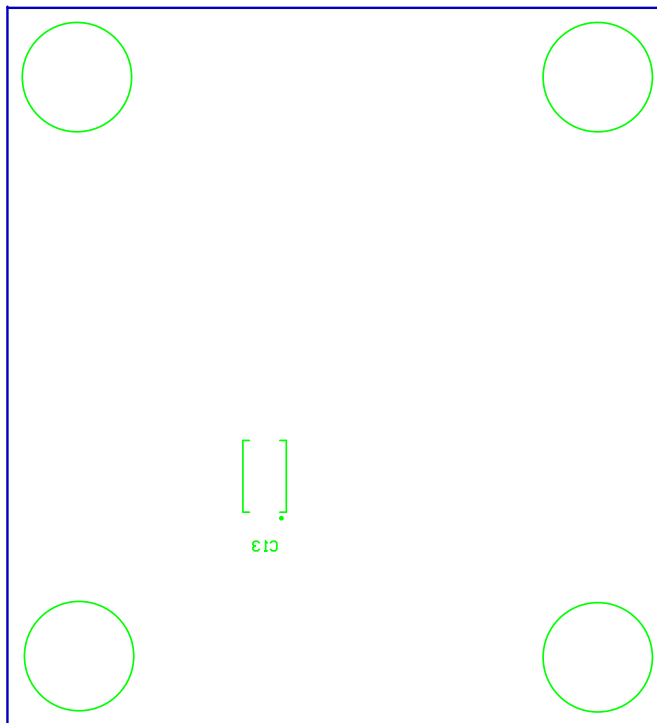


Figure 10-10. BSR054EVM Bottom Overlay Layer (Top View)

11 List of Materials

The EVM components list, according to the schematic, is shown in [Table 11-1](#).

Table 11-1. BSR054EVM List of Materials

Designator	Quantity	Value	Description	Package Reference	PartNumber	Manufacturer	Alternate Part Number ⁽¹⁾	Alternate Manufacturer ⁽¹⁾
IPCB	1		Printed Circuit Board		BSR054	Any	—	—
C1, C2, C3, C5, C7	5	22 μ F	CAP, CERM, 22 μ F, 25 V, \pm 20%, X5R, 1206_190	1206_190	C3216X5R1E226M160AB	TDK		
C4	1	330 μ F	CAP, AL, 330 μ F, 25 V, \pm 20%, 0.15 Ω , SMD	SMT Radial G	EEE-FC1E331P	Panasonic	865230457008	Würth Elektronik
C8	1	0.1 μ F	CAP, CERM, 0.1 μ F, 25 V, \pm 10%, X7R, 0603	0603	GRM188R71E104KA01D	MuRata	885012206071	Würth Elektronik
C9, C11, C17	3	100 μ F	CAP, CERM, 100 μ F, 6.3 V, \pm 20%, X5R, 1206	1206	GRM31CR60J107ME39L	MuRata	885012108005	
C12	1	0.1 μ F	CAP, CERM, 0.1 μ F, 10 V, \pm 10%, X7R, 0603	0603	C0603X104K8RACTU	Kemet		Würth Elektronik
C13, C14	1	330 μ F	CAP, Aluminum Polymer, 330 μ F, 2 V, \pm 20%, 0.003 Ω , 7.3 \times 1.8 \times 4.3 mm SMD	7.3 \times 1.8 \times 4.3 mm	EEFGX0D331R	Panasonic		
C20	1	1 μ F	CAP, CERM, 1 μ F, 25 V, \pm 10%, X5R, 0402	0402	GRM155R61E105KA12D	MuRata		
C21	1	4.7 μ F	CAP, CERM, 4.7 μ F, 16 V, \pm 10%, X5R, 0603	0603	GRM188R61C475KAAJ	MuRata		
C23	1	0.1 μ F	CAP, CERM, 0.1 μ F, 50 V, \pm 10%, X7R, 0603	0603	06035C104KAT2A	AVX	885012206095	Würth Elektronik
C24	1	1000 pF	CAP, CERM, 1000 pF, 50 V, \pm 10%, COG/NPO, 0603	0603	06035A102KAT2A	AVX	885012006062	Würth Elektronik
C25	1	0.01 μ F	CAP, CERM, 0.01 μ F, 50 V, \pm 5%, X7R, 0402	0402	C0402C103J5RACTU	Kemet		
H9, H10, H11, H12	4		Bumpon, Hemisphere, 0.44 \times 0.20, Clear	Transparent Bumpon	SJ-5303 (CLEAR)	3M		
J1, J2	2		Terminal Block, 5.08 mm, 4 \times 1, Brass, TH	4 \times 1 5.08-mm Terminal Block	ED120/4DS	On-Shore Technology	61300211121	Würth Elektronik
J3	1		Header, 100 mil, 2 \times 1, TH	Header, 2 \times 1, 100 mil, TH	800-10-002-10-001000	Mill-Max	691242510004	Würth Elektronik
L1	1	470 nH	Inductor, Shielded Drum Core, Ferrite, 470 nH, 40.5 A, 0.000165 Ω , SMD	12.5 \times 13 mm	744309047	Würth Elektronik		
LBL1	1		Thermal Transfer Printable Labels, 0.650" W \times 0.200" H - 10,000 per roll	PCB Label 0.650"H \times 0.200"W	THT-14-423-10	Brady		
R1	1	0	RES, 0, 5%, 0.1 W, 0603	0603	CRCW06030000Z0EA	Vishay-Dale		
R2	1	187 k	RES, 187 k, 1%, 0.063 W, 0402	0402	CRCW0402187KFKED	Vishay-Dale		
R4	1	1.00	RES, 1.00, 1%, 0.1 W, 0603	0603	CRCW06031R00FKEA	Vishay-Dale		
R7	1	51.1 k	RES, 51.1 k, 1%, 0.063 W, 0402	0402	CRCW040251K1FKED	Vishay-Dale		
R8	1	45.3 k	RES, 45.3 k, 1%, 0.063 W, 0402	0402	CRCW040245K3FKED	Vishay-Dale		
R12, R13, R17	3	0	RES, 0, 5%, 0.063 W, 0402	0402	CRCW04020000Z0ED	Vishay-Dale		
R14	1	40.2 k	RES, 40.2 k, 1%, 0.063 W, 0402	0402	CRCW040240K2FKED	Vishay-Dale		
R16	1	100 k	RES, 100 k, 5%, 0.063 W, 0402	0402	CRCW0402100KJNED	Vishay-Dale		
R18	1	3.0	RES, 3.0 Ω , 5%, 0.125 W, 0805	0805	RC0805JR-073RL	Yageo America		
TP1, TP3, TP5, TP6, TP8, TP9, TP11, TP12, TP14, TP18, TP19, TP20, TP21, TP22	14	Red	Test Point, Miniature, Red, TH	Red Miniature Testpoint	5000	Keystone		
TP2, TP13	2		PCB Pin, 0.04" DIA, TH	PCB Pin, 0.04" DIA, TH	3102-2-00-21-00-00-08-0	Mill-Max		

Table 11-1. BSR054EVM List of Materials (continued)

Designator	Quantity	Value	Description	Package Reference	PartNumber	Manufacturer	Alternate Part Number ⁽¹⁾	Alternate Manufacturer ⁽¹⁾
TP4, TP7, TP10, TP15, TP16, TP17	6	Black	Test Point, Miniature, Black, TH	Black Miniature Testpoint	5001	Keystone		
TP23, TP24	2	SMT	Test Point, Miniature, SMT	Testpoint_Keystone_Miniature	5015	Keystone		
U1	1		40-A FIXED FREQUENCY NON-COMPENSATON STACKABLE SYNCHRONOUS BUCK CONVERTER, RVF0040A (LQFN-CLIP-40)	RVF0040A	TPS543C20RVFT	Texas Instruments		Texas Instruments
C6	0	22 μ F	CAP, CERM, 22 μ F, 25 V, \pm 20%, X5R, 1206_190	1206_190	C3216X5R1E226M160AB	TDK		
C10, C15, C16	0	100 μ F	CAP, CERM, 100 μ F, 6.3 V, \pm 20%, X5R, 1206	1206	GRM31CR60J107ME39L	MuRata	885012108005	Wurth Elektronik
C18, C19, C22	0	22 pF	CAP, CERM, 22 pF, 50 V, \pm 5%, C0G/NP0, 0402	0402	C1005C0G1H220J050BA	TDK	885012005057	Wurth Elektronik
FID1, FID2, FID3, FID4, FID5, FID6	0		Fiducial mark. There is nothing to buy or mount.	Fiducial	N/A	N/A		
R3, R5, R9, R10	0	0	RES, 0, 5%, 0.063 W, 0402	0402	ERJ-2GE0R00X	Panasonic		
R6, R11	0	0	RES, 0, 5%, 0.1 W, 0603	0603	CRCW06030000Z0EA	Vishay-Dale		
R15	0	8.66 k	RES, 8.66 k, 1%, 0.063 W, 0402	0402	CRCW04028K66FKED	Vishay-Dale		

(1) Unless otherwise noted in the Alternate PartNumber, Alternate Manufacturer columns, all parts can be substituted with equivalents.

12 Revision History

NOTE: Page numbers for previous revisions may differ from page numbers in the current version.

Changes from Revision * (July 2018) to Revision A (February 2022)	Page
• Updated the numbering format for tables, figures, and cross-references throughout the document.	3
• Updated the user's guide title.....	3

IMPORTANT NOTICE AND DISCLAIMER

TI PROVIDES TECHNICAL AND RELIABILITY DATA (INCLUDING DATA SHEETS), DESIGN RESOURCES (INCLUDING REFERENCE DESIGNS), APPLICATION OR OTHER DESIGN ADVICE, WEB TOOLS, SAFETY INFORMATION, AND OTHER RESOURCES "AS IS" AND WITH ALL FAULTS, AND DISCLAIMS ALL WARRANTIES, EXPRESS AND IMPLIED, INCLUDING WITHOUT LIMITATION ANY IMPLIED WARRANTIES OF MERCHANTABILITY, FITNESS FOR A PARTICULAR PURPOSE OR NON-INFRINGEMENT OF THIRD PARTY INTELLECTUAL PROPERTY RIGHTS.

These resources are intended for skilled developers designing with TI products. You are solely responsible for (1) selecting the appropriate TI products for your application, (2) designing, validating and testing your application, and (3) ensuring your application meets applicable standards, and any other safety, security, regulatory or other requirements.

These resources are subject to change without notice. TI grants you permission to use these resources only for development of an application that uses the TI products described in the resource. Other reproduction and display of these resources is prohibited. No license is granted to any other TI intellectual property right or to any third party intellectual property right. TI disclaims responsibility for, and you will fully indemnify TI and its representatives against, any claims, damages, costs, losses, and liabilities arising out of your use of these resources.

TI's products are provided subject to [TI's Terms of Sale](#) or other applicable terms available either on ti.com or provided in conjunction with such TI products. TI's provision of these resources does not expand or otherwise alter TI's applicable warranties or warranty disclaimers for TI products.

TI objects to and rejects any additional or different terms you may have proposed.

Mailing Address: Texas Instruments, Post Office Box 655303, Dallas, Texas 75265
Copyright © 2022, Texas Instruments Incorporated